

EDECO

Tel 054-55 80 10
info@edeco.se
www.edeco.se

ECU-line
HPH

Hydraulchuck

HPH

High Performance Holder

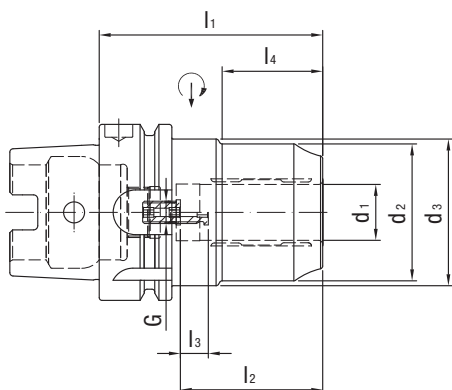


WTE
MAPAL GROUP

Hydraulchuck

HPH - High Performance Holder DIN 69893-A

Short heavy duty design



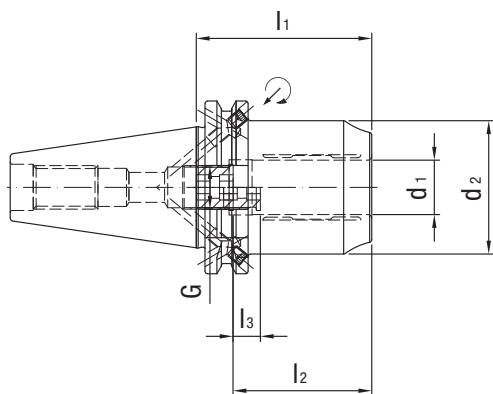
Normal size HSK-A	Dimensions							G	SW	Weight [kg]	Order designation	Art.nr	Pris SEK
	d ₁	d ₂	d ₃	l ₁	l ₂	l ₃	l ₄						
63	12	42	52.5	80	46	10	34	M8x1	3	1.1	16.408.63.12.Z	54.30494132	2260 kr
63	20	49	52.5	80	51	10	36	M8x1	3	1.3	16.408.63.20.Z	54.30372363	
100	12	42	52.5	85	46	10	34	M8x1	3	2.1	16.408.100.12.Z	54.30515435	2970 kr
100	20	49	52.5	85	51	10	36	M8x1	3	2.6	16.408.100.20.Z	54.30436113	
100	32	68	72	100	61	10	42	M8x1	3	3.8	16.408.100.32.Z	54.30471219	

Ø20 mm av samtliga varianter lagerstandard i Karlstad (ej HSK100-A)

Hydraulchuck

HPH - High Performance Holder ISO 7388-1, Form AD/AF

(prev. DIN 69871-AD/B), short heavy duty design



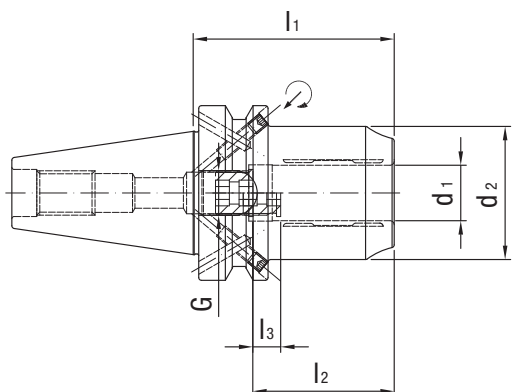
Normal size SK / ISO	Dimensions					G	SW	Weight [kg]	Order designation	Art.nr	Pris SEK
	d ₁	d ₂	l ₁	l ₂	l ₃						
40	12	42	50	46	10	M8x1x13.5	3	1	15.408.40.12.Z	54.30494111	2150 kr
40	20	49	64.5	51	10	M16x1x13.5	8	1.4	15.408.40.20.Z	54.30372360	
50	12	42	50	46	10	M8x1x13.5	3	1	15.408.50.12.Z	54.30515413	2490 kr
50	20	49	64.5	51	10	M16x1x13.5	8	3.1	15.408.50.20.Z	54.30435618	
50	32	72	81	61	10	M16x1x13.5	8	1.4	15.408.50.32.Z	54.30471202	

Ø20 mm av samtliga varianter lagerstandard i Karlstad

Hydraulchuck

HPH - High Performance Holder ISO 7388-2 (JIS B6339)

Short heavy duty design, coolant supply as per ISO 7388-2, Form JD/JF



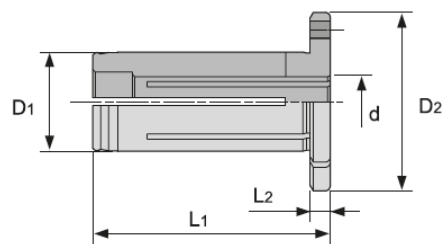
Normal size BT	Dimensions					G	SW	Weight [kg]	Order designation	Art.nr	Pris SEK
	d ₁	d ₂	l ₁	l ₂	l ₃						
40	12	42	58	46	10	M8x1x13.5	3	1	22.408.40.12.Z	54.30494128	2150 kr
40	20	49	72.5	51	10	M16x1x13.5	8	1.4	22.408.40.20.Z	54.30372364	
50	12	42	69	46	10	M8x1x13.5	3	3.4	22.408.50.12.Z	54.30515438	2490 kr
50	20	49	83.5	51	10	M16x1x13.5	8	4	22.408.50.20.Z	54.30435871	
50	32	72	90	61	10	M16x1x13.5	8	4.6	22.408.50.32.Z	54.30471206	

Ø20 mm av samtliga varianter lagerstandard i Karlstad

Reduktionshylsa

EHGC-OH metal sealing, inner coolant

Art.nr	Hylsa	d	Pris
5488.2540	EHG20-04-OH	4	770 kr
5488.2550	EHG20-06-OH	6	770 kr
5488.2560	EHG20-08-OH	8	770 kr
5488.2570	EHG20-10-OH	10	770 kr
5488.2580	EHG20-12-OH	12	770 kr
5488.2590	EHG20-16-OH	16	770 kr



EHG	Dimensions				d
	D ₁	D ₂	L ₁	L ₂	
-20-d-OH	20	36	48	4	4, 6, 8, 10, 12, 16

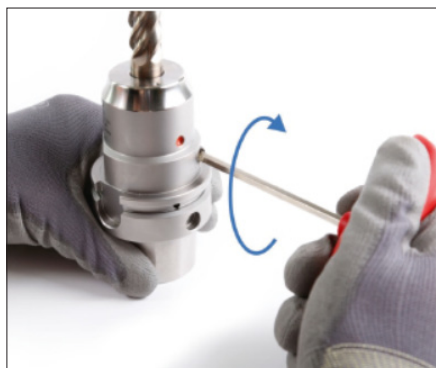
General technical data:

- Material 1600 N/mm².
- Hardness 52+2 HRC
- Tool holders balanced as standard.
- Operating temperature: 20 to 80 °C.
- Coolant pressure maximum 80 bar.
- Adjustment path 10 mm, from both sides.
- Cylindrical shanks, with and without reducing sleeves, with shank tolerance h6 according to DIN 1835 forms A, B, E and according to DIN 6535 forms HA, HB and HE can be clamped.
- Indicative values for operating speed limits for HPH clamping chucks with HSK connection

Nominal size HSK	Max. operating speed [rpm]
63	24,000
100	16,000

Clamping power and insertion length

Clamping diameter [mm]	Minimum clamping depth [mm]	Permissible transferrable torque for shank h6 minimum size [Nm]
12	36	150
20	41	550
32	51	900



Set a torque wrench to a tightening torque of 7 Nm.

Tighten the clamping screw to the stop with the aid of the torque wrench.

