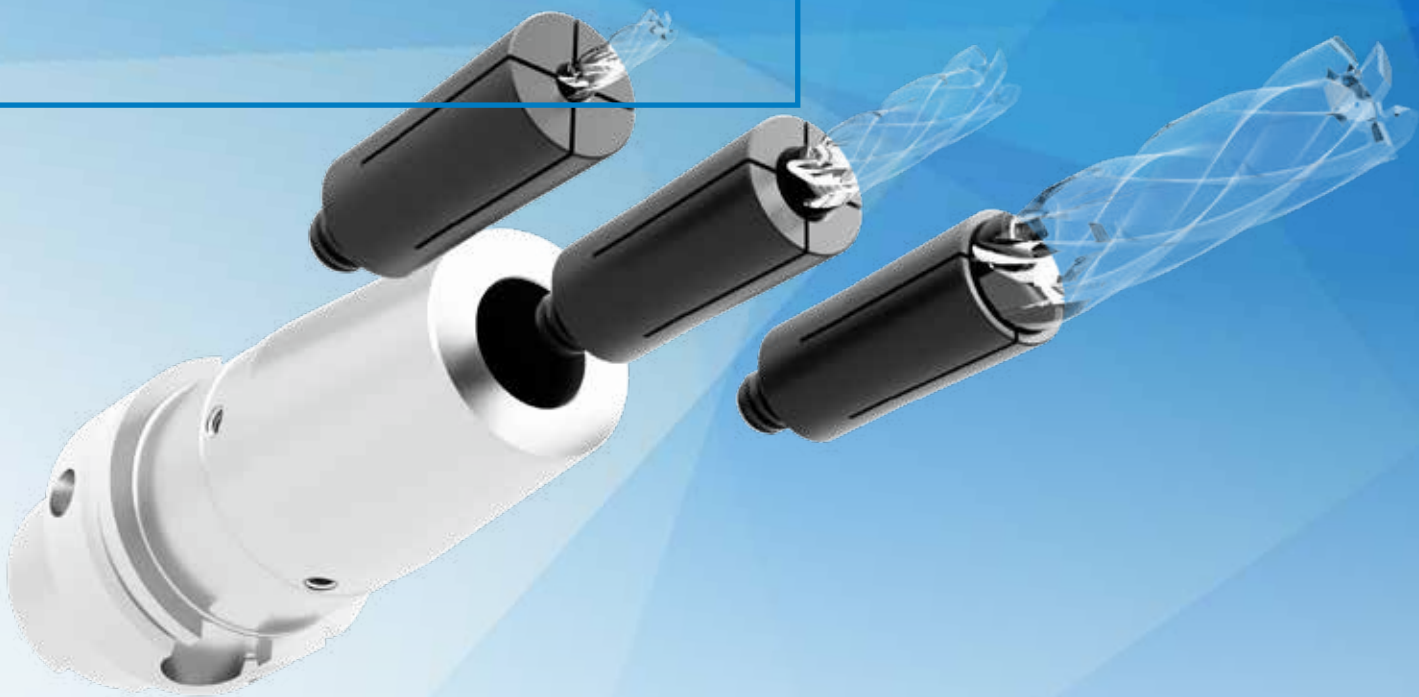


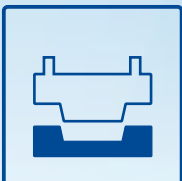
Thermogrip® TMG



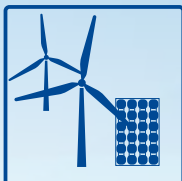
GENERAL
MECHANICAL
ENGINEERING



MEDICAL
DENTAL
TECHNOLOGY



MOLD AND DIE



RENEWABLE
ENERGY

One shrink fit chuck for all diameters

M stands for Constant Maximum Clamping Forces. Due to the constant maximum overlap of tool and chuck, the design ensures constant high clamping forces. The sleeve is also available with pull-out protection (Weldon).

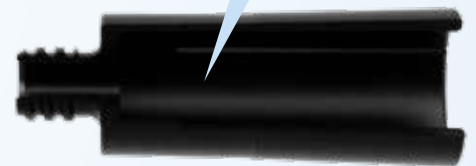
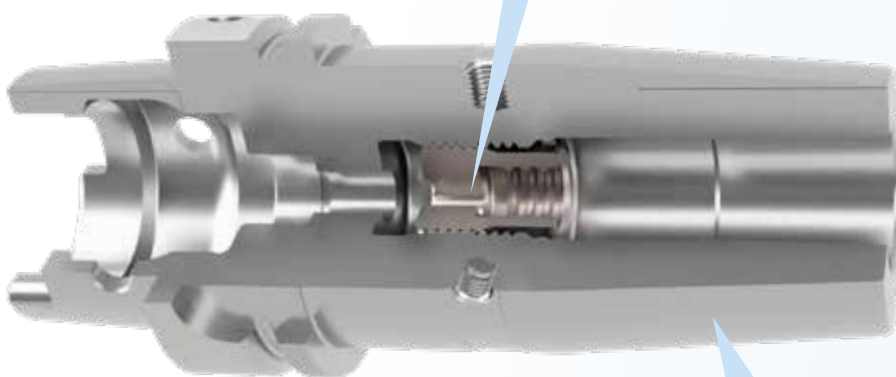
M stands for added value. For the first time, TMG clamps tool shanks of almost any diameter with one and the same shrink chuck. In this way, the entire production requirement can be covered cost-effectively. The flexibility of basic holders can be used to cover the entire production requirement.



Extreme holding forces - Exceptional flexibility, high rigidity and optimized vibration damping characterize our new TMG.

During the heating process, the assembly is seated using a sleeve pull-back fixture

Sleeve - different Versions available
Sleeve and tool are mounted in a cold condition



One basic holder for all diameters
TMG external geometry is identical to that of a T2500-120 Shrink chuck

Accessories needed

Pole disc		
Designation	Clamping-Ø	Ident No.
ISGS3201-TMG20	2,0 – 20 mm	5195237



Features

- Constant maximum clamping forces
- Process-safe clamping of all shank tolerances from h4 to h9
- Anti pullout system for Weldon shanks
- Concentricity $\leq 3 \mu\text{m}$

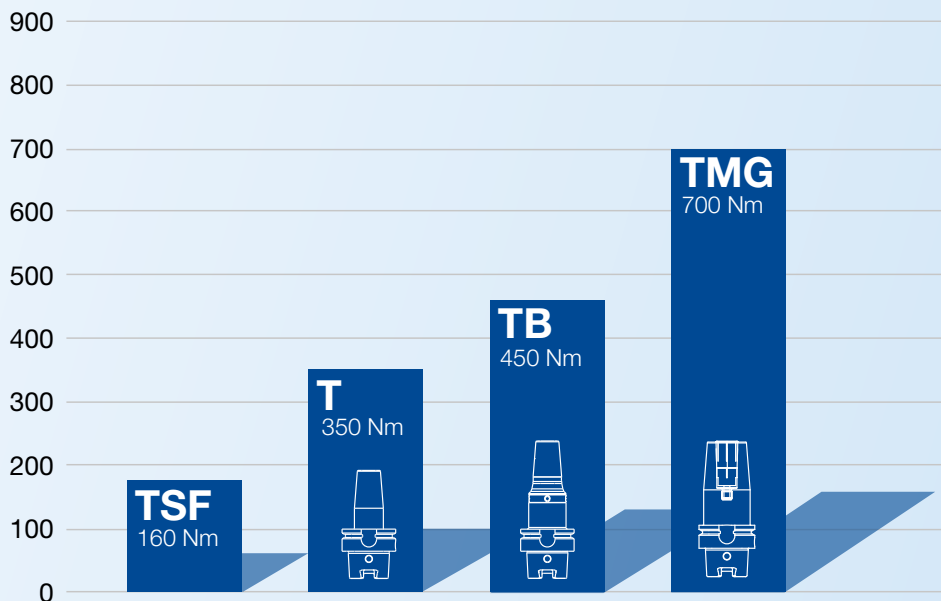
Benefit

- Increase of the metal removal rate
- Excellent damping properties Therefore better surfaces and better maintenance of tolerances
- One Basic holder for all diameters

The new Bilz TMG clamping system combines the strengths of shrink clamping technology with the flexibility of collet solutions. The system consists of basic holders and specially coated collets.

Shank tools from 2 to 32 mm can be clamped with previously unattained clamping forces. For example, more than 850 Nm for a 20 mm tool shank. This is done in a fully automatic or manual patent-pending process on induction shrink fit machines.

Diagram: Transmittable torque with 16 mm shaft diameter

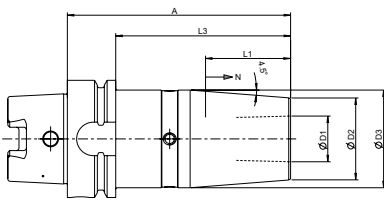


For more information you can find on www.bilz.com

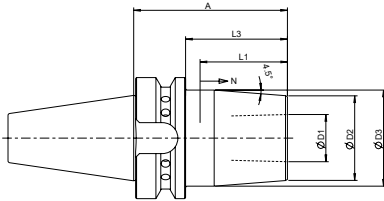
Accessories

Screw-in fixture (manual)			
Figure	Description	Designation	Ident No.
1	Screw-in fixture manual for WK1, TWK & TLK-Geräte	ISGV-WK1	5196754
2	Screw-in fixture manual for WK4-Devices	ISGV-WK4	5194602
Torque screwdriver			
3	Torque screwdriver 3,5Nm	ISGV-TW	5196801
Tool adapter for manual screw-in unit ISGV-WK or ISGV-TWK-TLK			
4	HSK-A63	T3-WWKB-TMG-HSK63	5194797
	SK40 / BT40	T3-WWKB-TMG-FBT40	5194799

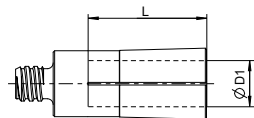




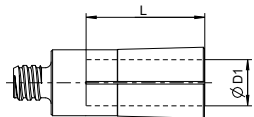
TMG20...HSK-A63								
D1	A	L3	D2	D3	L1	N	Designation	Ident No.
2-20	120	94	44	52,5	50	15	TMG20-120-HSKA63	5193624



TMG20... FBT40								
D1	A	L3	D2	D3	L1	N	Designation	Ident No.
2-20	80	44	50	50	53	15	TMG20-80-FBT40	5191779



Collets TMG20...		IK	Peripheral	CoolJet
D1	L	Ident No.	Ident No.	Ident No.
3	50		5195495	
4			5195497	
5			5195498	
6			5195499	
8		5195520	5195500	5195508
10		5195521	5195501	5195509
12		5195522	5195502	5195510
14		5195523	5195503	
16		5195524	5195504	5195511
20		5195525	5195506	



Collets TMG20...		Pinlock IK	Pinlock CoolJet
D1	L	Ident No.	Ident No.
12	50		
16		5195527	5195530
20		5195528	5195531