

- VDI
- BIGLIA
- BMT
- DMG MORI
- DOOSAN
- OKUMA
- NAKAMURA
- HAAS
- MAZAK
- TSUGAMI



*Maximum precision both for
turning and drilling and boring!*

STATIC TOOLS

Portautensili statici / Static Tools

PAGES 6.9 - 6.18

VDI STATIC TOOLS
DIN69880

SEMILAVORATO BLANK	PER PUNTE AD INSERTI FOR INDEXABLE DRILL	STELO QUADRO RADIALE FACE AND OD HOLDER
RADIALE RADIAL	PORTAUTENSILI CONO MORSE VISE TAPER HOLDER	STELO QUADRO ASSIALE FACE AND ID CUTTING HOLDER
RADIALE ROVESCIAITO UPSIDE DOWN RADIAL	PORTABARENO BOARING BAR HOLDER	PORTA BARENO BORING BAR HOLDER
RADIALE LUNGO RADIAL LONG	MASCHIATORE DOPPIA COMPENSAZIONE TENSION & COMPRESSION TAPPING HEAD	PORTA BARENO DOPPIO DOUBLE BORING BAR HOLDER
ASSIALE AXIAL	PORTA LAMA CUT OFF TOOL HOLDER	STELO QUADRO RADIALE DOPPIO DOUBLE FACE AND OD HOLDER
ASSIALE ROVESCIAITO UPSIDE DOWN AXIAL	PORTA LAMA ROVESCIAITO UPSIDE DOWN CUT OFF TOOL HOLDER	PORTA LAMA CUT-OFF HOLDER
ROVESCIAITO LUNGO LONG UPSIDE DOWN RADIAL	STRINGI BARRA BAR PULLER	BARRA DI CONTROLLO CONTROL PIN
A SEDI MULTIPLE WITH MULTIPLE SEATS	TAPPI ACCIAIO STEEL TURRET CUPS	
ROVESCIAITO CON SEDI MULTIPLE UPSIDE DOWN WITH MULTIPLE SEATS	TAPPI PLASTICA PLASTIC CUPS	
WHISTLE NOTCH WHISTLE NOTCH HOLDER		
PER PUNTE AD INSERTI FOR INDEXABLE DRILL	BUSSOLE DI RIDUZIONE BORING BAR SOCKETS	BUSSOLE DI RIDUZIONE BORING BAR SOCKETS

PAGES 6.19 - 6.23

BIGLIA
BMT 55

PAGES 6.26 - 6.28

BMT STATIC TOOLS
45 **55** **65** **75** **85**

STELO QUADRO ASSIALE FACE AND ID CUTTING HOLDER	STELO QUADRO ASSIALE FACE AND ID CUTTING HOLDER	STELO QUADRO ASSIALE FACE AND ID CUTTING HOLDER	STELO QUADRO ASSIALE FACE AND ID CUTTING HOLDER	STELO QUADRO ASSIALE FACE AND ID CUTTING HOLDER
PORTABARENO BOARING BAR HOLDER	STELO QUADRO RADIALE FACE AND OD CUTTING HOLDER	STELO QUADRO RADIALE FACE AND OD CUTTING HOLDER	STELO QUADRO RADIALE FACE AND OD CUTTING HOLDER	STELO QUADRO RADIALE FACE AND OD CUTTING HOLDER
STELO QUADRO RADIALE FACE AND OD CUTTING HOLDER	STELO QUADRO RADIALE DOPPIO 2 FACE AND OD CUTTING HOLDER	STELO QUADRO RADIALE DOPPIO 2 FACES AND OD CUTTING HOLDER	PORTABARENO BOARING BAR HOLDER	PORTABARENO BOARING BAR HOLDER
STELO QUADRO RADIALE DOPPIO 2 FACE AND OD CUTTING HOLDER	STELO QUADRO RADIALE QUADRUPLIO 4 FACE AND OD CUTTING HOLDER	PORTABARENO BOARING BAR HOLDER	STELO QUADRO RADIALE FACE AND OD CUTTING HOLDER	TAPPI ACCIAIO STEEL TURRET CUPS
PORTABARENO DOPPIO DOUBLE BORING BAR HOLDER	PORTABARENO BOARING BAR HOLDER	PORTABARENO DOPPIO DOUBLE BORING BAR HOLDER	TAPPI ACCIAIO STEEL TURRET CUPS	
	PORTABARENO DOPPIO DOUBLE BORING BAR HOLDER	STELO QUADRO RADIALE QUADRUPLIO 4 FACE AND OD CUTTING HOLDER		
	PORTABARENO TRIPLO TRIPLE BORING BAR HOLDER	PORTABARENO TRIPLO TRIPLE BORING BAR HOLDER		
	PORTABARENO QUADRUPLIO QUADRUPLE BORING BAR HOLDER	PORTABARENO QUADRUPLIO QUADRUPLE BORING BAR HOLDER		
	PORTA LAMA CUT OFF HOLDER	PORTA LAMA CUT OFF HOLDER		
	TAPPI ACCIAIO STEEL TURRET CUPS	TAPPI ACCIAIO STEEL TURRET CUPS		
BUSSOLE DI RIDUZIONE BORING BAR SOCKETS	BUSSOLE DI RIDUZIONE BORING BAR SOCKETS	BUSSOLE DI RIDUZIONE BORING BAR SOCKETS	BUSSOLE DI RIDUZIONE BORING BAR SOCKETS	BUSSOLE DI RIDUZIONE BORING BAR SOCKETS

PAGES 6.77 - 6.82

MAZAK
QUICK TURN NEXUS 3

PAGES 6.81 - 6.92

NAKAMURA OKUMA
BMT

PAGES 6.93 - 6.96

BMT

PAGES 6.97 - 6.100

TSUGAMI
BMT65

PAGES 6.43 - 6.58

DMG MORI

VDI-BMT

VDI 30 6.44 - 6.45	VDI 6.60 - 6.61	BMT 6.66 - 6.67	BMT from 6.69 to 6.71
PORTA BARENO BORING BAR HOLDER	RADIALE / RADIALE ROVESCIAITO RADIAL / UPSIDE-DOWN RADIAL TOOLHOLDER	ARRETRATO QUADRO TURNING TOOL HOLDER	PORTAUTENSILE A SFACCIARE TURNING TOOL HOLDER REV
VDI 40 6.46 - 6.47	PER PUNTE AD INSERTI FOR INDEXABLE INSERT DRILL	PORTA BARENO BORING BAR HOLDER	PORTA BARENO BORING BAR HOLDER
PORTA BARENO BORING BAR HOLDER	PORTABARENI BOARING BAR HOLDER	PORTA PUNTE U'DRILL HOLDER	PORTAUTENSILE A SFACCIARE TURNING TOOL HOLDER REV
BMT 40 6.48 - 6.49	ASSIALE ROVESCIAITO UPSIDE DOWN AXIAL TOOL HOLDER	PORTALAMA CUT-OFF HOLDER	ARRETRATO QUADRO TURNING TOOL HOLDER
STELO QUADRO ASSIALE / RADIALE AXIAL / RADIAL FACE AND CUTTING HOLDER	PORTA PINZE ER COLLET CHUCK FOR ER COLLETS		PORTA PUNTE U'DRILL HOLDER
PORTA BARENO BORING BAR TOOL HOLDER	BMT65 from 6.62 to 6.64	VDI 40 6.72 - 6.73	BMT 40 6.74 - 6.75
BMT 60 6.50 - 6.51	STELO QUADRO ASSIALE FACE AND ID CUTTING HOLDER	ARRETRATO QUADRO TURNING TOOL HOLDER	ARRETRATO QUADRO TURNING TOOL HOLDER
STELO QUADRO ASSIALE / RADIALE AXIAL / RADIAL FACE AND CUTTING HOLDER	STELO QUADRO RADIALE FACE AND OD HOLDER	DOPPIO QUADRO DOUBLE TURNING TOOL HOLDER	DOPPIO QUADRO DOUBLE TURNING TOOL HOLDER
PORTA BARENO BORING BAR TOOL HOLDER	STELO QUADRO RADIALE DOPPIO FACE AND OD CUTTING HOLDER	PORTAUTENSILE A SFACCIARE TURNING HOLDER REV	PORTAUTENSILE A SFACCIARE TURNING HOLDER REV
PORTABARENO DOPPIO DOUBLE BORING BAR	STELO QUADRO RADIALE QUADRUPLIO 4 FACE AND OD HOLDER	PORTALAMA CUT-OFF HOLDER	PORTALAMA CUT-OFF HOLDER
BOLT-ON from 6.52 to 6.58	PORTA BARENO BORING BAR HOLDER	PORTA BARENO DOPPIO DOUBLE BORING BAR HOLDER	PORTA BARENO DOPPIO DOUBLE BORING BAR HOLDER
STELO QUADRO ASSIALE / RADIALE AXIAL / RADIAL FACE AND CUTTING HOLDER	PORTA BARENO DOPPIO DOUBLE BORING BAR HOLDER	PORTA BARENO BORING BAR TOOL HOLDER	PORTA BARENO BORING BAR TOOL HOLDER
PORTA BARENO BORING BAR TOOL HOLDER	PORTA LAMA CUT OFF HOLDER		PORTA PUNTE U'DRILL TOOL HOLDER
PORTABARENO DOPPIO DOUBLE BORING BAR			
BUSSOLE DI RIDUZIONE BORING BAR SOCKETS	BUSSOLE DI RIDUZIONE BORING BAR SOCKETS	BUSSOLE DI RIDUZIONE BORING BAR SOCKETS	BUSSOLE DI RIDUZIONE BORING BAR SOCKETS

VDI 50 from 6.77 to 6.79	BMT 44 6.84 - 6.85	BMT 60 PLUS 6.94 - 6.95	STELO QUADRO RADIALE FACE AND OD HOLDER
ARRETRATO QUADRO TURNING TOOL HOLDER	STELO QUADRO RADIALE DOPPIO DOUBLE FACE AND CUTTING HOLDER	PORTA BARENO BORING BAR HOLDER	STELO QUADRO ASSIALE FACE AND ID CUTTING HOLDER
PORTA BARENO BORING BAR TOOL HOLDER	PORTA BARENO BORING BAR HOLDER	STELO QUADRO RADIALE DOPPIO FACE AND OD CUTTING HOLDER	STELO QUADRO RADIALE QUADRUPLIO QUADRUPLE FACE AND CUTTING TOOL HOLDER
ARRETRATO QUADRO TURNING TOOL HOLDER			STELO QUADRO RADIALE DOPPIO DOUBLE FACE AND CUTTING TOOL HOLDER
DOPPIO QUADRO DOUBLE TURNING TOOL HOLDER	BMT 55 from 6.86 to 6.90	BMT 60 page 6.96	STELO QUADRO ASSIALE FACE AND ID CUTTING HOLDER
PORTALAMA CUT-OFF HOLDER	STELO QUADRO RADIALE FACE AND OD HOLDER	PORTA BARENO BORING BAR HOLDER	PORTA BARENO BORING BAR HOLDER
PORTA PUNTE U'DRILL TOOL HOLDER	PORTA BARENO BORING BAR HOLDER	STELO QUADRO ASSIALE FACE AND ID CUTTING HOLDER	PORTA LAMA CUT OFF HOLDER
PORTA BARENO DOPPIO DOUBLE BORING BAR HOLDER	PORTA BARENO DOPPIO DOUBLE BORING BAR HOLDER	STELO QUADRO RADIALE FACE AND OD HOLDER	PORTA BARENO DISASSATO OFFSET BORING BAR HOLDER
PORTAUTENSILE A SFACCIARE TURNING HOLDER REV		PORTA LAMA CUT OFF HOLDER	PORTA BARENO DOPPIO DOUBLE BORING BAR HOLDER
QUICK TURN NEXUS SMART BMT 68 6.80 - 6.81	BMT 65 6.91 - 6.92		
PORTA BARENO BORING BAR HOLDER	STELO QUADRO ASSIALE FACE AND ID CUTTING HOLDER		
STELO QUADRO RADIALE FACE AND OD HOLDER	PORTA BARENO BORING BAR HOLDER		
STELO QUADRO ASSIALE FACE AND ID CUTTING HOLDER			
BUSSOLE DI RIDUZIONE BORING BAR SOCKETS	BUSSOLE DI RIDUZIONE BORING BAR SOCKETS	BUSSOLE DI RIDUZIONE BORING BAR SOCKETS	

COMPATIBILITÀ STATICI
STATIC TOOLS COMPATIBILITY

COMPATIBILITÀ STATICI
STATIC TOOLS COMPATIBILITY

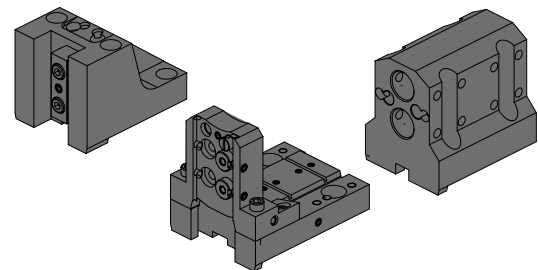
Costruttore Builder Brand	Torretta Turret	Modelli Macchina Lathe or turret Models	Tooling LPO4 Pages	Costruttore Builder Brand	Torretta Turret	Modelli Macchina Lathe or turret Models	Tooling LPO4 Pages
VDI	DIN 69880	VDI 30 VDI 40 VDI 50 VDI 60	from page 6.9 to page 6.18	DOOSAN		PUMA 2100/2600 (M,LM,MS,LMS) (Y,LY,SY,LSY) PUMA 300 (M,MS,MB,MC) PUMA3100(M,LM,LY,XLM,XLY,ULM,ULY) PUMA MX2000/2500 PUMA MX2600 (T,SY,ST) PUMA TT2500 (MS/SY) PUMA V400 (M) PUMA VT450 (M,2SP) PUMA TT2000 INVERTURN 3000 (M)	
BIGLIA	BMT 55	B301 / 445 / 455 / 470 / 501 (Y-S) 510 / 545 / 550 / 565 / 650 / 658 1200 / 446 / 465 / 745 / 765 B750 / 1250 16 STATIONS	from page 6.19 to page 6.23	Haas		ST20 - ST25 - ST30 - ST35 - DS30Y ST-20Y - ST-25Y - ST-30Y - ST-35Y	
DOOSAN	BMT 45	LYNX 2100LYA/LYB 24 POSITIONS LYNX 2100MA/220 (LMSA,LMSC) 220 (LSYA,LSYC), 220 (M,LM) LYNX 220 (MA,LMA,MC,LMC) 220 (YA,YC,LYA,LYC) PUMA MX1600 (T,ST)	from page 6.26 to page 6.28	Hwacheon	BMT 65	CUTEX-240 (MC/SMC) HI-TECH 200, 230, 300, 400, 450 (MC/SMC/YMC/YSMC) T2-SERIES (MC/SMC/YMC/YSMC) - VT-450	from page 6.34 to page 6.37
Hardinge		GS 42, 51 T-42, 51 SUPER PRECISION TALENT 42, 51		Hyundai WIA		L300 (MA/MC/LMA/LMC/SMA/SMC/ LMSA) LM 2000, 2500 (TTM/TTMS/TTSY) L2000, 2100, 2600, 3000 (Y/LS/SY/LSY) SKT200, 250 (TTSY) SKT250, 300 (LM/LMS/M/MS)	
Smec		PL1600 (M, CM)		Maxis		BMT65	
				Samsung SMEC		SL25/35 PL20/25/35M PL35LM PL2000/2500M SL3500 (Y)	
				Victor		VTURN-A26 (CM / SCM / YCM / YSCM)	
				Tongai		TMT200	
DOOSAN		Lynx 300(M) PUMA 1500/2000/2500(M,S,Y) PUMA 2100(Y,LY,SY,LSY) PUMA 2100/2600/3100M/Y/MS/SY PUMA 230/240/280(M,LM,S) PUMA GT2100M PUMA H250TM PUMA MX1600 / 2100(ST/LST) PUMA TL2000/2500(M,LM) PUMA TTT1500/1800(MS,SY) PUMA TW2600		DOOSAN		PUMA 400, 480, 500 (M / LM) PUMA 4100, 5100 (M / LY) PUMA V550, 8300 (M) PUMA VT750 (M / M-2SP)	from page 6.38 to page 6.40
Hardinge	BMT 55	CONQUEST H51 SUPER PRECISION T56 - T65	from page 6.29 to page 6.33	Hwacheon	BMT 75	HI-TECH 550/700/850/7026 VT550 / 650 (MC)	
Hwacheon		CUTEX-160 / 180 / 240 / T2 (MC / SMC / YMC / YSMC) VT 450 (MC)		Hyundai WIA		L400 (MA / LM / LC / LMC) LV800 (RM) V80 (R / RM) SKT-400 (M / LMC)	
Hyundai WIA		HD2200 (M / MC) SKT-160 / 180 TTMS / TTSY / LM1600 / 1800 TTSY L160, 230 (MA / LMA / LMSA) SKT-160, 180 (TTMS / TTSY)		Samsung		45 (M) 800 (VM) SL45 5500 (M)	
Samsung		PL 240 (LM) SL 1500,2000 (M/SY)		DOOSAN	BMT 85	PUMA VT900M (TM/M) + 18141VT1 100M (M) + 18141 PUMA 600 (M/LM/M) + 18141 PUMA 700 (M/LM/M) + 18141 PUMA 800 (M/LM) PUMA VT1100 (M)	from page 6.41 to page 6.42
Victor		VTURN-A16, A20 (CM / SCM / YCM / YSCM) VTURN-Q200					

Costruttore Builder Brand	Torretta Turret	Modelli Macchina Lathe or turret Models	Tooling LPO4 Pages	Costruttore Builder Brand	Torretta Turret	Modelli Macchina Lathe or turret Models	Tooling LPO4 Pages
DMG MORI	VDI 30	CTX310/410 V4/V6 - CTX320 V4/V6 CTX420 V4/ V6 - CTX Alpha 300 V4 - CTX Alpha 500 V4/ V6 - CTX Beta 500/800/1250 v4/v6 TWIN 42/65/102 - SPRINT 65/50	from page 6.44 to page 6.45	HAAS	VDI 40	SL20 - SL30 - SL40 - ST 10/15/20/25/30/35/40/45 (L) TL15 - TL25	from page 6.60 to page 6.61
					BMT 65	DS30Y - ST-20Y - ST-25Y - ST-30Y - ST-35Y	from page 6.62 to page 6.64
DMG MORI	VDI 40	CTX410 V4/V6 - CTX420 V4/V6 - CTX Alpha 300 V4 - CTX Beta 500/800/1250 v4/v6 TWIN 42/65/102 RG2 GMX 250/300/400/500 - SPRINT 65	from page 6.46 to page 6.47		QTN 1 VDI 40	QTN 100/150 M/MS QTN 200/250 (M/MS/MY/MSY) 16 STATIONS SQT 15/18/200/250 (M/MS/MY/MSY) 16 STATIONS - SQT 100 M/MS	from page 6.66 to page 6.73
					QTN 1 BMT	QT NEXUS 100 (M/MS/MY/MSY)	from 6.66 to 6.68
DMG MORI	BMT 40 (NZ)	DURATURN 2050, 2550 (MC) NL/NLX 1500/2000/2500 20STATIONS NT, NTX 1000, 2000 - NRX 2000 NT 3000 / 3100 / 3150 / 3200 NZ/NTZ 1000/2000/3000/3100/3150/3200 NZ/NZX 1500/2000/2500 LTX310ECO	from page 6.48 to page 6.49	MAZAK	QTN 2 VDI 40	QTN 200/250 (M/MS/MY/MSY 12 STATIONS) SQT 15/18/200/250 (M/MS/MY/MSY) 12 STATIONS SUPER QUADREX 200/250 (M)	from page 6.74 to page 6.76
					QTN 2 BMT	QT NEXUS 200/250 (M/MS/MY/MSY)	from 6.69 to 6.71
DMG MORI	BMT 60 (NL-NLX)	NLX1500 - 2000 - 2500 - 3000 - 4000 12 STATIONS NL2000 (S)MC - 2500 (S)MC NL3000MC 12 STATIONS NT3250 - 4200 - 4250 - 4300 - 5400 - 4000 - 5000 NZL 2000/2500 - NZX 2500 12 STATIONS NTX 2000 - 2500 - 3000 - 2ND GEN. 10 STATIONS - (TX2500 BMT60)	from page 6.50 to page 6.52		QTN 3 VDI 50	QTN 300/350/400/450 (M/MY/MSY) SQT 28/30/300/350/400/450 (M/MY) SLANT TURN NEXUS 500/550 (M) MEGATURN NEXUS 900 (M) HYPER QUADREX 450 (M)	from page 6.77 to page 6.79
Goodway		G4/G5 200 - 2600/280 3000/3300 - 3600 - GS2000 - GS3000 - GS4000 SERIES			SMART BMT68	QT/QTS 100/150/200/250 (M/MY/MS/MSY) QTC/QTU 100/150/200/250/300 (M/MY/ MS/MSY)	from page 6.80 to page 6.81
				NAKAMURA	BMT 44	NTJ 100, SC 100 SUPER NTMX SUPER NY3 WT/ WY100	from page 6.84 to page 6.85
DMG MORI		CL200/203 - SL20/25 SL200/203/204/250/253/254(MC,SMC) 2500Y - ZL200(MC) - ZL250(SMC)		Muratec		MT 100	
				NAKAMURA	BMT 55	AS200 (L-LS) 12/15 STATIONS. NTM3 - NTY3/250 SC150(M) - SC200(MY) - SC-250(M) SuperNTJ - TMC20 II (M/ML) TW10 - TW20 WT20 II (M/MY) - WT150/200 - WT250 WTS150 - WTW150/160 - WT200 II (M,MY) - WY250	from page 6.86 to page 6.88
Cmz						TX 52, 66	
Cmz	BMT BOLT ON (SL-ZL-DL)	TB1520 - TL20/25 (M/TM/MS) TC15/20/25/30/35 (M/Y/MS/YS) TA15/20/25/30 (M/Y/MS/YS) TD15/20/25/30/35/45/55 (M/Y/MS/YS)	from page 6.53 to page 6.55	NAKAMURA	BMT 55	AS200 - NTM3 - NTY3-250 - SC150 (M) SC200 (MY) - SC250 (M) - Super NTJ TMC20 II (M/ML) - TW10 - TW20 WT-20 II (M/MY) - WT150/200 WT250 - WTS150 - WTW150/160 WT200 II (M,MY) - WY-250	from page 6.89 to page 6.90
Goodway		GS200/230/260/280 (M/MS) GA2000/2600/2800/3000/3300/3600 (M)		Cmz		TX52/66 - TTL52 - TTL66 TX52 Y3-Y2 QUATTRO-Y2 TW IN TX66 Y3-Y2 QUATTRO-Y2 TW IN TA15/20/25/30(M/Y/MS/MY/YS) 15 STATIONS	
DMG MORI	BMT BOLT ON (SL-ZL-DL)	CL200/203 - SL20/25 SL200/203/204/250/253/254(MC,SDM)2500Y ZL/DL200/250(MC)	from page 6.56 to page 6.58	NAKAMURA	BMT 65	WT300 - SC300 - TW20 TMC200/300 (M) SUPER NTX TW20M (MY/MM/MY/MYY) 12 STATIONS TW30M (MY/MM/MY/MYY) 16 STATIONS	from page 6.91 to page 6.92
Goodway		GS200/260/280 GA2000/2600/2800 GA3000/3300/3600			BMT 60 PLUS	LB3000 EX (M/MY) - LB4000 EX (M/MY) LU4000 EX (M/MY)	from 6.94 to 6.95
				OKUMA	BMT 60	GENOS L300 (MW/MYW) LB 2000/2500/3000 (EX) LU 2000/2500/3000 (EX) MULTUS U3000/4000 (2SW)	6.96
				TSUGAMI	BMT 65	M06 M06(SY) M08(D/SD) M08(SY)	from page 6.97 to page 6.100

Novità / News



Portautensili Statici / Static tools



BIGLIA static tools

BMT 55

Pag. 6.19 - 6.23



BMT static tools

BMT 55-65-75-85

Pag. 6.25 - 6.42



DMG MORI static tools

VDI 30-40 / BMT 40-60

Pag. 6.44 - 6.58



NAKAMURA static tools

BMT 55 / BMT 65

Pag. 6.83 - 6.92



OKUMA static tools

BMT 60 PLUS / BMT 60

Pag. 6.93 - 6.96



SLEEVES for boring bar holder

BMT & VDI Static Tools

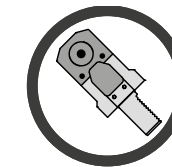
STATIC TOOLS

Portautensili statici per torrette VDI e BMT !

Static tools for VDI & BMT turrets !

Viene proposta un'ampia gamma di modelli adatti ad attrezzare i torni e le torrette dei maggiori costruttori a livello mondiale, come BIGLIA, BMT, DMG MORI, GOODWAY, HAAS, MAZAK, MIYANO, NAKAMURA, OKUMA, TSUGAMI e VDI DIN69880.

The company proposes a wide range of suitable Driven Tools for equipping the lathes turrets by world leader manufacturers, such as BIGLIA, BMT, DMG MORI, GOODWAY, HAAS, MAZAK, MIYANO, NAKAMURA, OKUMA, TSUGAMI and VDI DIN69880.



Maximum precision both for turning and drilling and boring!



Trattamento anti corrosione Anti-corrosion treatment

I Portautensili statici sono costruiti con acciaio rettificato altamente legato e sono sottoposti ad un trattamento anti-corrosione

Static toolholders are produced with certified top quality steel and are subjected to an anti-corrosion treatment

BMT Stelo quadro radiale
BMT radial face and cutting holder

BMT Portabareno
BMT Boring bar holder

Refrigerante esterno standard
External Coolant standard

VDI B2 Portautensile radiale Sinistro
VDI B2 Left radial holder

VDI E2 Portabareno
VDI E2 Boring bar holder



Bussole Porta-bareni Boring bar Sleeves

Le bussole portabareno vengono impiegate su tutte le tipologie di tornio. Possono essere fornite con grani e asole, con battuta, prolungate o ridotte.

The boring bar sleeves are used on all types of lathe. They can be supplied with screw and slot, with collar, extended or reduced.



PIÙ SEMPLICE / PIÙ INFO / PIÙ PRODOTTI - EASIER / MORE INFO / MORE PRODUCTS

TROVA IL TUO PRODOTTO IN POCHI CLICK - FIND YOUR PRODUCT IN FEW CLICKS



by category



by code



by description



by configurator

Un nuovo modo facile e veloce per ordinare la tua attrezzatura Gerardi

Il nuovo Gerardi estore offre la possibilità di visualizzare e ordinare qualsiasi articolo Gerardi appartenente alle categorie Workholding o Tooling presente sui nostri listini in modo semplice, veloce e completo. Da ora puoi ordinare la morsa, la testa angolare o il motorizzato che ti interessa direttamente on-line dal nostro estore senza costi aggiuntivi.

A new quick and easy way to order your equipment branded Gerardi.

The new Gerardi estore offers the ability to view and order any item available on our Workholding and Tooling catalogues with the easiest, fastest and comprehensive way. You can now order the vise, angle head or driven tool of your interest directly online from our store without any additional cost.



WINDOWS / IOS



ANDROID / IPHONE



GERARDI

VDI DIN 69880

VDI



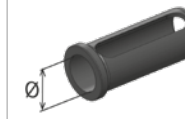
Code	Code
T.E1-30x25	T.E1-50X32
T.E1-30x32	T.E1-50X40
T.E1-30x40	T.E1-50X50
T.E1-40x25	T.E1-60X25
T.E1-40x32	T.E1-60X32
T.E1-40x40	T.E1-60X40
T.E1-40x50	T.E1-60X50
T.E1-50X25	



Code	Code
T.E2-30x25	T.E2-40X40
T.E2-30x32	T.E2-40X50
T.E2-30x40	T.E2-50X25
T.E2-40X25	T.E2-50X32
T.E2-40X30	T.E2-50X40
T.E2-40X32	T.E2-50X50



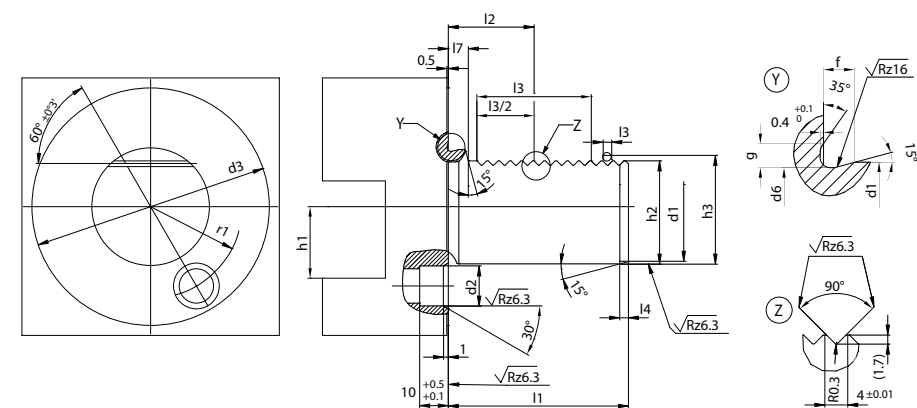
Ød	Code	Ød	Code
Ø8	T.B.VSA.2508	Ø8	T.B.VSA.4008
Ø10	T.B.VSA.2510	Ø10	T.B.VSA.4010
Ø12	T.B.VSA.2512	Ø12	T.B.VSA.4012
Ø8	T.B.VSA.3208	Ø16	T.B.VSA.4016
Ø10	T.B.VSA.3210	Ø20	T.B.VSA.4020
Ø12	T.B.VSA.3212	Ø16	T.B.VSA.5016
Ø16	T.B.VSA.3216	Ø20	T.B.VSA.5020



Ød	Code	Ød	Code
Ø16	T.B.VSB.2516	Ø32	T.B.VSB.4032
Ø20	T.B.VSB.2520	Ø25	T.B.VSB.5025
Ø20	T.B.VSB.3220	Ø32	T.B.VSB.5032
Ø25	T.B.VSB.3225	Ø40	T.B.VSB.5040
Ø25	T.B.VSB.4025		



Ød	Code	Ød	Code
MT1	T.B.VSC.25MT1	MT3	T.B.VSC.40MT3
MT1	T.B.VSC.32MT1	MT1	T.B.VSC.50MT1
MT2	T.B.VSC.32MT2	MT2	T.B.VSC.50MT2
MT1	T.B.VSC.40MT1	MT3	T.B.VSC.50MT3
MT2	T.B.VSC.40MT2		

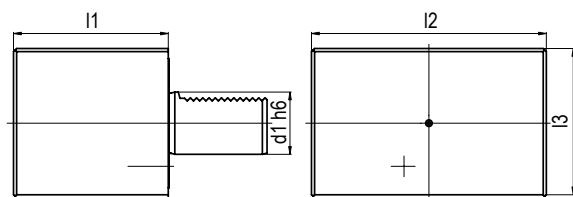


d1 h6	l1 ±0.3	d2	d3	d6_0.1	f	g	h1 max.	h2 ±0.1	h3 ±0.1	l2 ±0.05	l3 min.	l4 +1	l7	r1 ±0.02	o-ring
16	32	8 H6	40	15,4	2,0	1,7	12	15	16,92	12,7	16	2	3,5	14,5	15 x 1,5
20	40	10 H6	50	19,1	2,4	2	16	18	19,92	21,7	24	2	7	18	18,77 x 1,78
25	48	10 H6	58	24,1	2,4	2	16	23,5	25,42	21,7	24	2	7	21	23,52 x 1,78
30	55	14 H8	68	29,1	2,4	2	20	27	28,92	29,7	40	2	7	25	28,3 x 1,78
40	63	14 H8	83	38,7	3,7	2,8	25	36	37,92	29,7	40	3	7	32	37,77 x 2,62
50	78	16 H8	98	48,7	3,7	2,8	32	45	46,92	35,7	48	3	8	37	47,29 x 2,62
60	94	16 H8	123	58,7	4,3	3,7	32	55	56,92	43,7	56	4	10	48	56,74 x 3,53
80	124	20 H8	158	78,7	4,3	3,7	40	72	73,92	59,7	80	4	10	65	75,79 x 3,53

MODELLI DI TORNIO COMPATIBILI
COMPATIBLE LATHE TYPES

MODELLI DI TORNIO COMPATIBILI
COMPATIBLE LATHE TYPES

VDI
DIN 69880

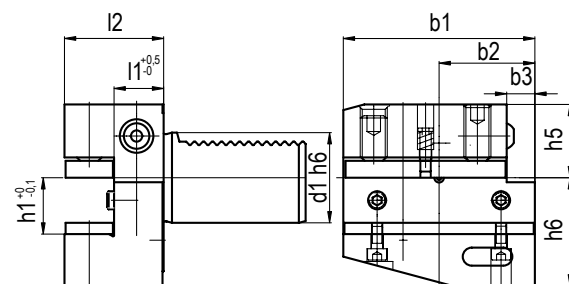


TIPO - TYPE **VDI A1**
Semilavorato rettangolare
Rectangular Blank



REFRIGERANTE
COOLANT
Esterno
External

Code	d1	l1	l2	l3
T.A1-30x85	30	85	130	76
T.A1-40x100	40	100	151	96
T.A1-50x125	50	125	160	120
T.A1-60x160	60	160	165	125

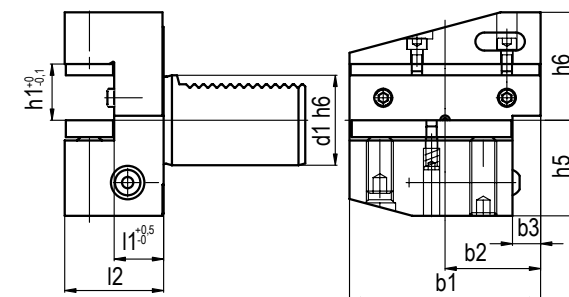


TIPO - TYPE **VDI B1**
Portautensile radiale destro
Right radial holder



REFRIGERANTE
COOLANT
Esterno
External

Code	d1	b1	b2	b3	h1	h5	h6	l1	l2
T.B1-30x20x40	30	70	35	10	20/16	28	38	22	40
T.B1-40x25x44	40	85	42,5	12,5	25/20	32,5	48	22	44
T.B1-50x32x55	50	100	50	16	32/25	35	60	30	55
T.B1-60x32x60	60	125	62,5	16	32/25	42,5	62,5	30	60

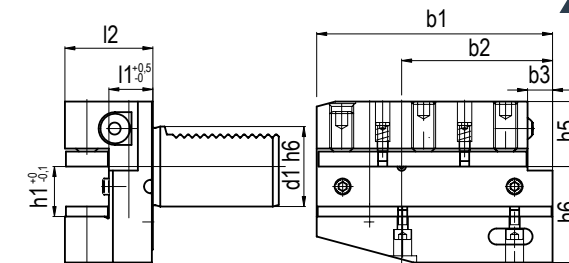


TIPO - TYPE **VDI B3**
Radiale rovesciato destro
RH upside-down radial holder



REFRIGERANTE
COOLANT
Esterno
External

Code	d1	b1	b2	b3	h1	h5	h6	l1	l2
T.B3-30x20x40	30	70	35	10	20/16	35	38	22	40
T.B3-40x25x44	40	85	42,5	12,5	25/20	42,5	48	22	44
T.B3-50x32x55	50	100	50	16	32/25	50	60	30	55
T.B3-60x32x60	60	125	62,5	16	32/25	62,5	62,5	30	60



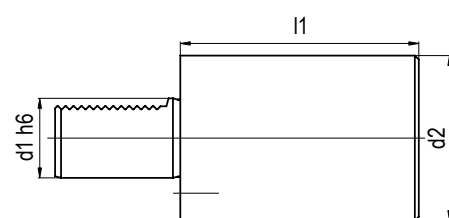
TIPO - TYPE **VDI B5**
Radiale lungo destro
Right long radial holder



REFRIGERANTE
COOLANT
Esterno
External

Code	d1	b1	b2	b3	h1	h5	h6	l1	l2
T.B5-30x20x40	30	100	65	10	20/16	28	38	22	40
T.B5-40x25x44	40	118	75,5	12,5	25/20	32,5	48	22	44
T.B5-50x32x55	50	130	80	16	32/25	35	60	30	55
T.B5-60x32x60	60	145	82,5	16	32/25	42,5	62,5	30	60

6

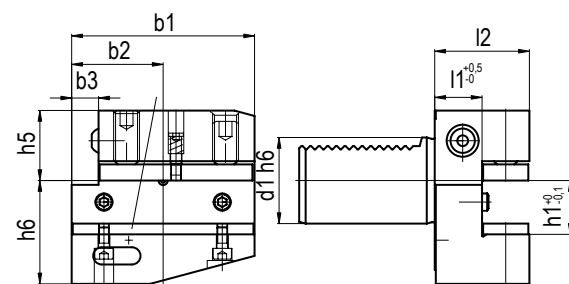


TIPO - TYPE **VDI A2**
Semilavorato rotondo
Round Blank



REFRIGERANTE
COOLANT
Esterno
External

Code	d1	l1	d2
T.A2-30x100	30	100	68
T.A2-40x120	40	120	88
T.A2-50x135	50	135	98
T.A2-50x400	50	400	98
T.A2-60x150	60	150	123

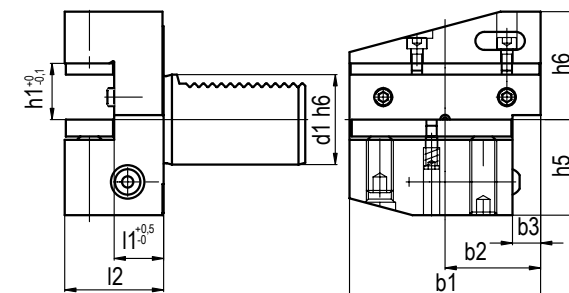


TIPO - TYPE **VDI B2**
Portautensile radiale sinistro
Left radial holder



REFRIGERANTE
COOLANT
Esterno
External

Code	d1	b1	b2	b3	h1	h5	h6	l1	l2
T.B2-30x20x40	30	70	35	10	20/16	28	38	22	40
T.B2-40x25x44	40	85	42,5	12,5	25/20	32,5	48	22	44
T.B2-50x32x55	50	100	50	16	32/25	35	60	30	55
T.B2-60x32x60	60	125	62,5	16	32/25	42,5	62,5	30	60

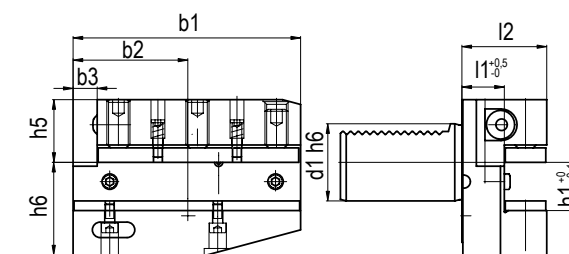


TIPO - TYPE **VDI B4**
Radiale rovesciato Sinistro
SH upside-down radial holder



REFRIGERANTE
COOLANT
Esterno
External

Code	d1	b1	b2	b3	h1	h5	h6	l1	l2
T.B4-30x20x40	30	70	35	10	20/16	35	38	22	40
T.B4-40x25x44	40	85	42,5	12,5	25/20	42,5	48	22	44
T.B4-50x32x55	50	100	50	16	32/25	50	60	30	55
T.B4-60x32x60	60	125	62,5	16	32/25	62,5	62,5	30	60



TIPO - TYPE **VDI B6**
Radiale lungo sinistro
Left long radial holder



REFRIGERANTE
COOLANT
Esterno
External

Code	d1	b1	b2	b3	h1	h5	h6	l1	l2
T.B6-30x20x40	30	100	65	10	20/16	28	38	22	40
T.B6-40x25x44	40	118	75,5	12,5	25/20	32,5	48	22	44
T.B6-50x32x55	50	130	80	16	32/25	35	60	30	55
T.B6-60x32x60	60	145	82,5	16	32/25	42,5	62,5	30	60

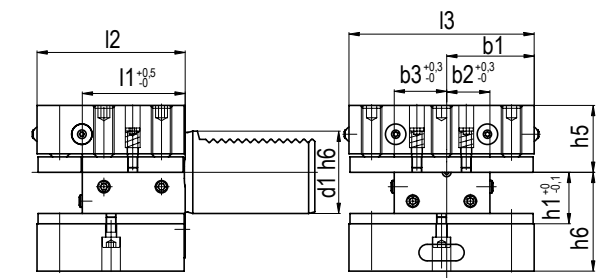
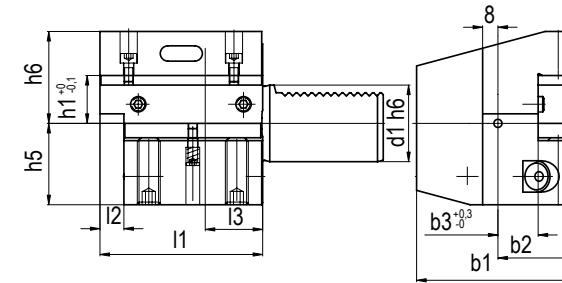
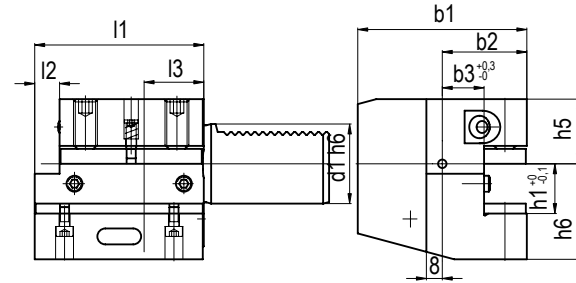
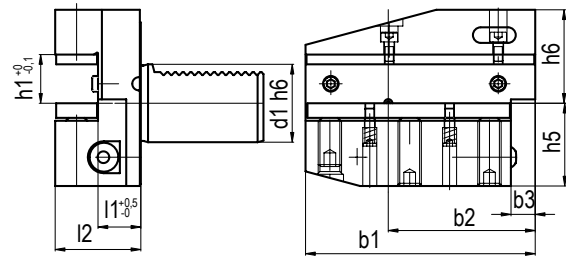
6

MODELLI DI TORNIO COMPATIBILI
COMPATIBLE LATHE TYPES

MODELLI DI TORNIO COMPATIBILI
COMPATIBLE LATHE TYPES

VDI
DIN 69880

VDI
DIN 69880



TIPO - TYPE **VDI B7**
Rovesciato lungo destro
Right long upside down radial

REFRIGERANTE COOLANT
Esterno
External

TIPO - TYPE **VDI C1**
Assiale destro
Right axial holder

REFRIGERANTE COOLANT
Esterno
External

TIPO - TYPE **VDI C3**
Assiale rovesciato destro
DH upside down axial holder

REFRIGERANTE COOLANT
Esterno
External

TIPO - TYPE **VDI D1**
A sedi multiple
With multiple seats

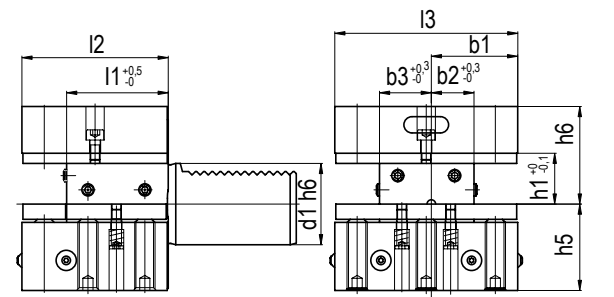
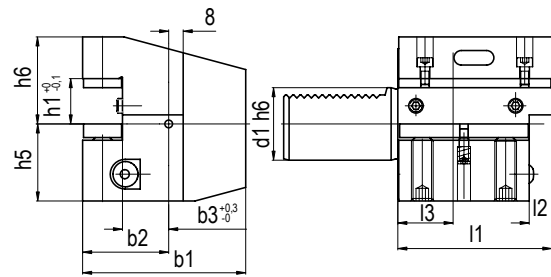
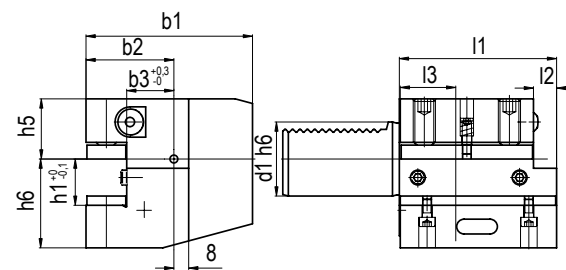
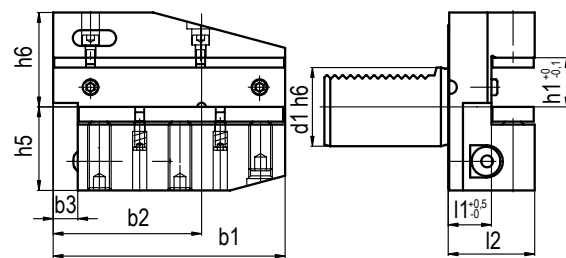
REFRIGERANTE COOLANT
Esterno
External

Code	d1	b1	b2	b3	h1	h5	h6	l1	l2
T.B7-30x20x40	30	100	65	10	20/16	35	38	22	40
T.B7-40x25x44	40	118	75,5	12,5	25/20	42,5	48	22	44
T.B7-50x32x55	50	130	80	16	32/25	50	60	30	55
T.B7-60x32x60	60	145	82,5	16	32/25	62,5	62,5	30	60

Code	d1	b1	b2	b3	h1	h5	h6	l1	l2	l3
T.C1-30x20x70	30	70	35	17	20/16	28	38	70	10	30
T.C1-40x25x85	40	85	42,5	21	25/20	32,5	48	85	12,5	30
T.C1-50x32x100	50	100	50	26	32/25	35	60	100	16	40
T.C1-60x32x125	60	125	62,5	33	32/25	42,5	62,5	125	16	40

Code	d1	b1	b2	b3	h1	h5	h6	l1	l2	l3
T.C3-30x20x70	30	70	35	17	20/16	35	38	70	10	30
T.C3-40x25x85	40	85	42,5	21	25/20	42,5	48	85	12,5	30
T.C3-50x32x100	50	100	50	26	32/25	50	60	100	16	40
T.C3-60x32x125	60	125	62,5	33	32/25	62,5	62,5	125	16	40

Code	d1	b1	b2	b3	h1	h5	h6	l1	l2	l3
T.D1-30x20x60	30	35	17	23	20/16	28	38	42	60	76
T.D1-40x25x72	40	42,5	21	25,5	25/20	32,5	48	50	72	90
T.D1-50x32x85	50	50	26	30,5	32/25	35	60	60	85	105
T.D1-60x32x110	60	57,5	33	33	32/25	42,5	62,5	85	110	115



TIPO - TYPE **VDI B8**
Rovesciato lungo sinistro
Left long upside down radial

REFRIGERANTE COOLANT
Esterno
External

TIPO - TYPE **VDI C2**
Assiale sinistro
Left axial holder

REFRIGERANTE COOLANT
Esterno
External

TIPO - TYPE **VDI C4**
Assiale rovesciato sinistro
SH upside-down axial holder

REFRIGERANTE COOLANT
Esterno
External

TIPO - TYPE **VDI D2**
Rovesciato con sedi multiple
Upside down with multiple seats

REFRIGERANTE COOLANT
Esterno
External

Code	d1	b1	b2	b3	h1	h5	h6	l1	l2
T.B8-30x20x40	30	100	65	10	20/16	35	38	22	40
T.B8-40x25x44	40	118	75,5	12,5	25/20	42,5	48	22	44
T.B8-50x32x55	50	130	80	16	32/25	50	60	30	55
T.B8-60x32x60	60	145	82,5	16	32/25	62,5	62,5	30	60

Code	d1	b1	b2	b3	h1	h5	h6	l1	l2	l3
T.C2-30x20x70	30	70	35	17	20/16	28	38	70	10	30
T.C2-40x25x85	40	85	42,5	21	25/20	32,5	48	85	12,5	30
T.C2-50x32x100	50	100	50	26	32/25	35	60	100	16	40
T.C2-60x32x125	60	125	62,5	33	32/25	42,5	62,5	125	16	40

Code	d1	b1	b2	b3	h1	h5	h6	l1	l2	l3
T.C4-30x20x70	30	70	35	17	20/16	28	38	70	10	30
T.C4-40x25x85	40	85	42,5	21	25/20	32,5	48	85	12,5	30
T.C4-50x32x100	50	100	50	26	32/25	35	60	100	16	40
T.C4-60x32x125	60	125	62,5	33	32/25	42,5	62,5	125	16	40

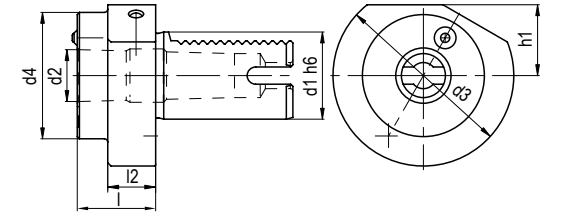
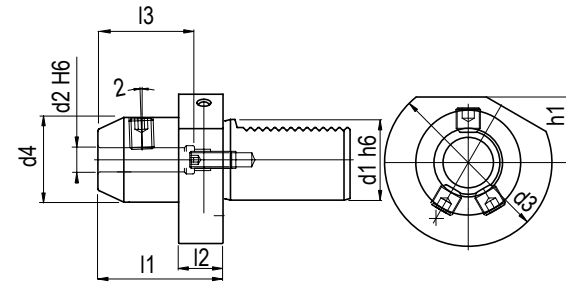
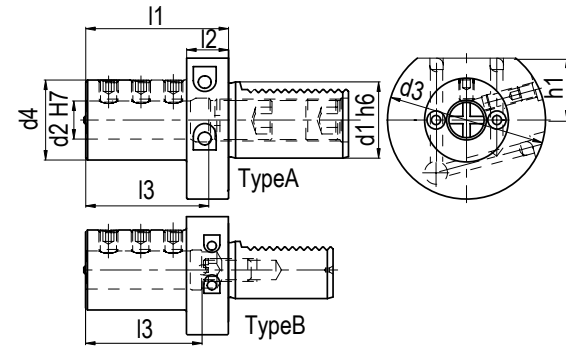
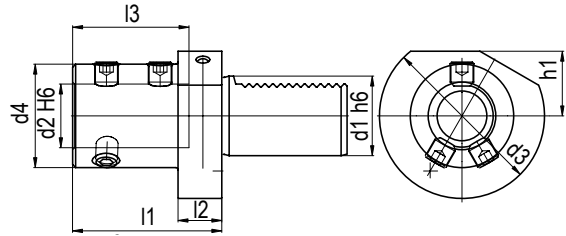
Code	d1	b1	b2	b3	h1	h5	h6	l1	l2	l3
T.D2-30x20x60	30	35	17	23	20/16	28	38	42	60	76
T.D2-40x25x72	40	42,5	21	25,5	25/20	32,5	48	50	72	90
T.D2-50x32x85	50	50	26	30,5	32/25	35	60	60	85	105
T.D2-60x32x110	60	57,5	33	33	32/25	42,5	62,5	85	110	115

MODELLI DI TORNIO COMPATIBILI
COMPATIBLE LATHE TYPES

MODELLI DI TORNIO COMPATIBILI
COMPATIBLE LATHE TYPES

VDI
DIN 69880

VDI
DIN 69880



TIPO - TYPE **VDI E1**
Per punte ad inserti
For indexable insert drill

REFRIGERANTE COOLANT
Interno
Internal

TIPO - TYPE **VDI E2**
Portabareno
Boaring bar holder

REFRIGERANTE COOLANT
Esterno & Interno
External & Internal

TIPO - TYPE **VDI E1 WN**
Whistle notch
Whistle notch holder

REFRIGERANTE COOLANT
Esterno
External

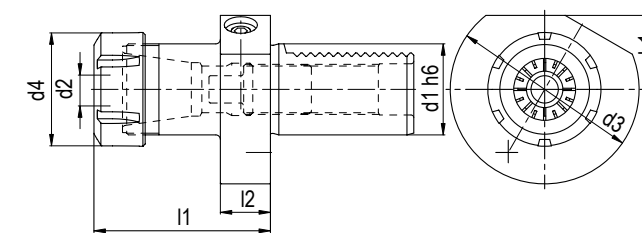
TIPO - TYPE **VDI F**
Portautensili cono morse
Vise taper holder

REFRIGERANTE COOLANT
Esterno
External

Code	d1	d2	d3	d4	h1	I1	I2	I3
T.E1-30x16	30	16	68	36	28	67	22	54
T.E1-30x20	30	20	68	40	28	67	22	54
T.E1-30x25	30	25	68	45	28	71	22	58
T.E1-30x32	30	32	68	52	28	75	22	61
T.E1-30x40	30	40	68	65	28	90	22	72
T.E1-40x16	40	16	83	36	32,5	67	22	54
T.E1-40x20	40	20	83	40	32,5	67	22	54
T.E1-40x25	40	25	83	45	32,5	75	22	59
T.E1-40x32	40	32	83	52	32,5	75	22	61
T.E1-40x40	40	40	83	65	32,5	90	22	73
T.E1-40x50	40	50	83	70	32,5	100	22	83
T.E1-50X16	50	16	98	36	35	80	30	54
T.E1-50X20	50	20	98	40	35	80	30	54
T.E1-50X25	50	25	98	45	35	80	30	59
T.E1-50X32	50	32	98	52	35	80	30	63
T.E1-50X40	50	40	98	65	35	90	30	73
T.E1-50X50	50	50	98	75	35	100	30	83
T.E1-60x16	60	16	123	36	42,5	80	30	54
T.E1-60X20	60	20	123	40	42,5	80	30	54
T.E1-60X25	60	25	123	45	42,5	80	30	59
T.E1-60X32	60	32	123	52	42,5	80	30	63
T.E1-60X40	60	40	123	65	42,5	90	30	73
T.E1-60X50	60	50	123	75	42,5	100	30	83

Code	d1	d2	d3	d4	h1	I1	I2	I3	T
T.E2-30x06	30	6	68	55	28	60	22	43	A
T.E2-30x08	30	8	68	55	28	60	22	43	A
T.E2-30x10	30	10	68	55	28	60	22	43	A
T.E2-30x12	30	12	68	55	28	60	22	43	A
T.E2-30x16	30	16	68	55	28	60	22	55	A
T.E2-30x20	30	20	68	55	28	60	22	54	B
T.E2-30x25	30	25	68	55	28	60	22	61	B
T.E2-30x32	30	32	68	67	28	75	22	66	B
T.E2-30x40	30	40	68	67	28	75	22	43	B
T.E2-40x06	40	6	83	55	32,5	75	22	43	A
T.E2-40x08	40	8	83	55	32,5	75	22	43	A
T.E2-40X10	40	10	83	55	32,5	75	22	54	A
T.E2-40X12	40	12	83	55	32,5	75	22	58	A
T.E2-40X16	40	16	83	55	32,5	75	22	61	A
T.E2-40X20	40	20	83	55	32,5	75	22	61	A
T.E2-40X25	40	25	83	55	32,5	75	22	61	B
T.E2-40X30	40	30	83	82	32,5	75	22	61	B
T.E2-40X32	40	32	83	82	32,5	75	22	61	B
T.E2-40X40	40	40	83	82	32,5	90	22	76	B
T.E2-40X50	40	50	98	98	35	100	-	86	B
T.E2-50X08	50	8	98	68	35	90	30	-	A
T.E2-50X12	50	12	98	68	35	90	30	71	A
T.E2-50X16	50	16	98	68	35	90	30	76	A
T.E2-50X20	50	20	98	68	35	90	30	76	A
T.E2-50X25	50	25	98	68	35	90	30	76	A
T.E2-50X32	50	32	98	69	35	90	30	76	B
T.E2-50X40	50	40	98	98	35	90	-	76	B
T.E2-50X50	50	50	98	98	35	100	-	86	B
T.E2-60X16	60	16	123	68	42,5	90	30	76	A
T.E2-60X20	60	20	123	68	42,5	90	30	76	A
T.E2-60X25	60	25	123	68	42,5	90	30	76	A
T.E2-60X32	60	32	123	68	42,5	90	30	76	A
T.E2-60X40	60	40	123	98	42,5	90	30	76	B
T.E2-60X50	60	50	123	98	42,5	100	30	86	B

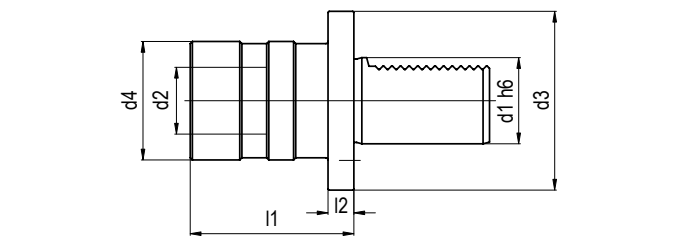
Code	d1	d2	d3	d4	h1	I1	I2	I3
T.E1-30x06WN	30	6	68	25	28	50	22	36
T.E1-30x08WN	30	8	68	28	28	50	22	36
T.E1-30x10WN	30	10	68	35	28	54	22	40
T.E1-30x12WN	30	12	68	42	28	59	22	45
T.E1-40x10WN	40	10	83	35	54	54	22	40
T.E1-40x12WN	40	12	83	42	58	58	22	45



TIPO - TYPE **VDI E4 - DIN6499**
Portapinzine ER
Collet chuck for ER collets

REFRIGERANTE COOLANT
Esterno & Interno
External & Internal

Code	Description	d1	d2	d3	d4	h1	I1	I2
T.E4-3016	VDI30 - ER16	30	1-10	68	32	28	48	22
T.E4-3025	VDI30 - ER25	30	2-16	68	42	28	57	22
T.E4-3032	VDI30 - ER32	30	2-20	68	50	28	78	22
T.E4-3040	VDI30 - ER40	30	3-30	68	63	28	80	22
T.E4-4025	VDI40 - ER25	40	2-16	83	42	32,5	57	22
T.E4-4032	VDI40 - ER32	40	2-20	83	50	32,5	78	22
T.E4-4040	VDI40 - ER40	40	3-30	83	63	32,5	80	22
T.E4-5025	VDI50 - ER25	50	2-16	98	50	35	57	30
T.E4-5032	VDI50 - ER32	50	2-20	98	50	35	92	30
T.E4-5040	VDI50 - ER40	50	3-30	98	63	35	80	30
T.E4-6032	VDI60 - ER32	60	2-20	123	50	42,5	78	30
T.E4-6040	VDI60 - ER40	60	3-30	123	63	42,5	80	30



TIPO - TYPE **VDI M**
Maschiatore doppia compensazione
Tension and compression tapping head

REFRIGERANTE COOLANT
Esterno
External

Code	d1	Size	Ext.	Pres.	d2	d3	d4	I1	I2
T.VDI 30G1 M3-M12	30	1	9	9	19	68	38	55	12
T.VDI 30G2 M6-M20	30	2	15	15	31	68	55	77	12
T.VDI 40G1 M3-M12	40	1	9	9	19	83	38	55	12
T.VDI 40G2 M6-M20	40	2	15	15	31	83	55	77	12
T.VDI 40G3 M14-M33	40	3	24	24	48	83	79	110	12
T.VDI 50G3 M14-M33	50	3	24	24	48	98	79	110	12

6

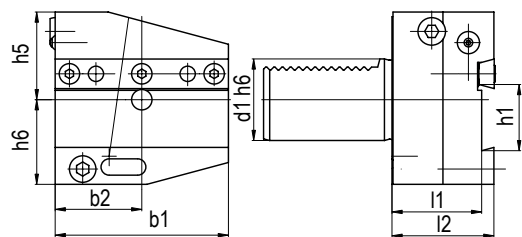
6

MODELLI DI TORNIO COMPATIBILI
COMPATIBLE LATHE TYPES

MODELLI DI TORNIO COMPATIBILI
COMPATIBLE LATHE TYPES

VDI
DIN 69880

VDI
DIN 69880

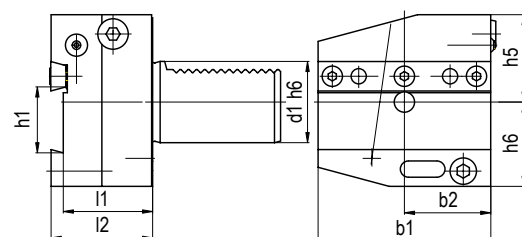


TIPO - TYPE **VDI AL**
Portalama sinistro
Left cut off holder



REFRIGERANTE
COOLANT
Esterno
External

Code	d1	b1	b2	h1	h5	h6	l1	l2
T.AL-3026	30	70	35	26	32	39	44	50
T.AL-3032	30	70	35	32	32	39	44	50
T.AL-4026	40	85	42,5	26	43	41,5	44	50
T.AL-4032	40	85	42,5	32	43	41,5	44	50

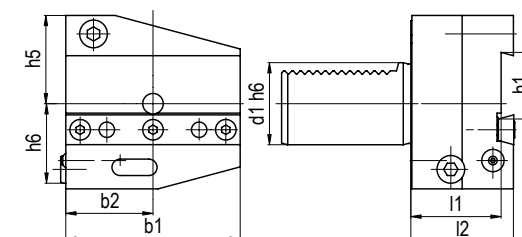


TIPO - TYPE **VDI AR**
Portalama destro
Right cut off tool holder



REFRIGERANTE
COOLANT
Esterno
External

Code	d1	b1	b2	h1	h5	h6	l1	l2
T.AR-3026	30	70	35	26	32	39	44	50
T.AR-3032	30	70	35	32	32	39	44	50
T.AR-4026	40	85	42,5	26	43	41,5	44	50
T.AR-4032	40	85	42,5	32	43	41,5	44	50
T.AR-5026	50	100	50	26	43	45	44	50
T.AR-5032	50	100	50	32	43	45	44	50
T.AR-6032	60	125	62,5	32	48	55	44	50

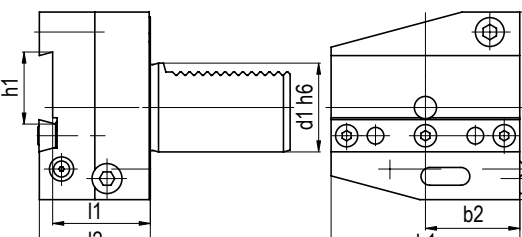


TIPO - TYPE **VDI ALU**
Portalama rovesciato sinistro
SH upside-down cut of holder



REFRIGERANTE
COOLANT
Esterno
External

Code	d1	b1	b2	b3	h1	h5	h6	l1	l2
T.ALU-3026	30	70	35	26	26	38	35	44	50
T.ALU-3032	30	70	35	32	26	38	35	44	50
T.ALU-4026	40	85	42,5	26	32	43	41,5	44	50
T.ALU-4032	40	85	42,5	32	32	43	41,5	44	50
T.ALU-5026	50	100	50	26	26	43	45	44	50
T.ALU-5032	50	100	50	32	32	43	45	44	50

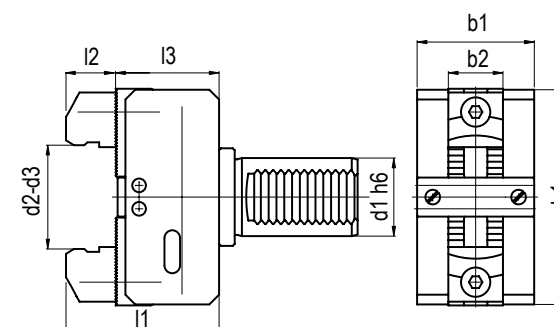


TIPO - TYPE **VDI ARU**
Portalama rovesciato destro
RH upside-down cut of holder



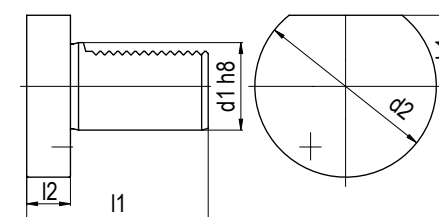
REFRIGERANTE
COOLANT
Esterno
External

Code	d1	b1	b2	b3	h1	h5	h6	l1	l2
T.ARU-3026	30	70	35	26	26	38	35	44	50
T.ARU-3032	30	70	35	32	26	38	35	44	50
T.ARU-4026	40	85	42,5	26	32	43	41,5	44	50
T.ARU-4032	40	85	42,5	32	32	43	41,5	44	50
T.ARU-5026	50	100	50	26	26	43	45	44	50
T.ARU-5032	50	100	50	32	32	43	45	44	50



TIPO - TYPE **HK**
Stringibarra
Bar puller

Code	d1	d2	b1	b2	h1	l1	l2	l3
T.VDI25D8	25	8-60	50	28	72	84	16	51
T.VDI30D8	30	8-60	50	28	72	92	16	59
T.VDI40D8	40	8-66	60	28	110	94	16	61
T.VDI50D8	50	8-75	65	28	130	114	16	81



TIPO - TYPE **VDI Z2**
Tappi acciaio
Steel turret caps

Code	d1	d2	h1	l1	l2
T.VDI 30 - AC	30	68	28	71	16
T.VDI 40 - AC	40	83	32,5	83	20
T.VDI 50 - AC	50	98	35	98	20
T.VDI 60 - AC	60	123	42,5	114	20



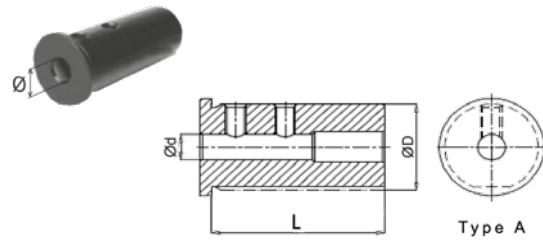
TIPO - TYPE **VDI Z2**
Tappi plastica
Plastic turret caps

Code	d1	d2	h1	l1	l2
T.VDI 30 - PL	30	68	28	71	16
T.VDI 40 - PL	40	83	32,5	83	20
T.VDI 50 - PL	50	98	35	98	20
T.VDI 60 - PL	60	123	42,5	114	20

BUSSOLE DI RIDUZIONE PER PORTABARENI
BORING BAR HOLDER REDUCTION SLEEVES

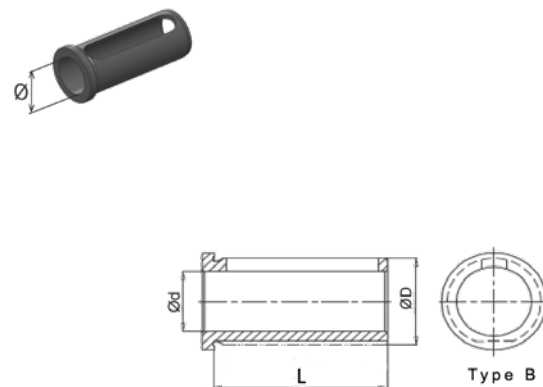
NEW
2021

Battuta con grani / Collar and set-screws

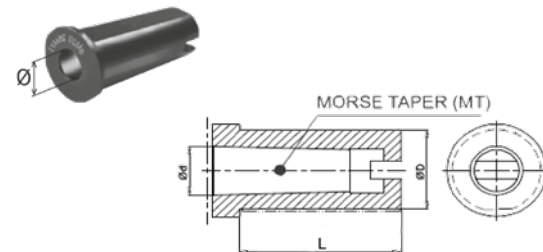


Code	ØD	Ød	L	Type
T.B.VSA.2508	25	8	50	A
T.B.VSA.2510	25	10	50	A
T.B.VSA.2512	25	12	50	A
T.B.VSB.2516	25	16	50	B
T.B.VSB.2520	25	20	50	B
T.B.VSA.3208	32	8	59	A
T.B.VSA.3210	32	10	59	A
T.B.VSA.3212	32	12	59	A
T.B.VSA.3216	32	16	59	A
T.B.VSB.3220	32	20	59	B
T.B.VSB.3225	32	25	59	B
T.B.VSA.4008	40	8	69	A
T.B.VSA.4010	40	10	69	A
T.B.VSA.4012	40	12	69	A
T.B.VSA.4016	40	16	69	A
T.B.VSA.4020	40	20	69	A
T.B.VSB.4025	40	25	69	B
T.B.VSB.4032	40	32	69	B
T.B.VSA.5016	50	16	80	A
T.B.VSA.5020	50	20	80	A
T.B.VSB.5025	50	25	80	B
T.B.VSB.5032	50	32	80	B
T.B.VSB.5040	50	40	80	B

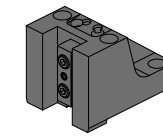
Bloccaggio con asola e grano \ Clamping with slot and set-screw



Bloccaggio con asola e grano \ Clamping with slot and set-screw

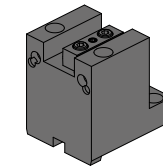


Code	ØD	Ød	L	Type
T.B.VSC.25MT1	25	MT1	58	C
T.B.VSC.32MT1	32	MT1	57	C
T.B.VSC.32MT2	32	MT2	70	C
T.B.VSC.40MT1	40	MT1	78	C
T.B.VSC.40MT2	40	MT2	78	C
T.B.VSC.40MT3	40	MT3	79	C
T.B.VSC.50MT2	50	MT2	89	C
T.B.VSC.50MT3	50	MT3	89	C
T.B.VSC.50MT4	50	MT4	92	C



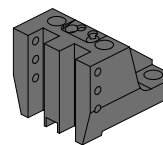
Code

T.BG.B55C12020K
T.BG.B55C12525K



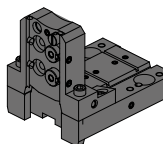
Code

T.BG.B55B12020K



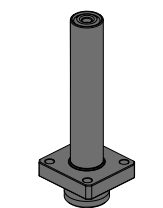
Code

T.BG.B55C1D2020K



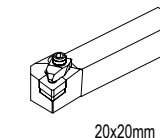
Code

T.BG.B55H12600K
T.BG.B55H13200K



Code

T.BG.B55CP40220K

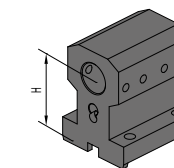


20x20mm



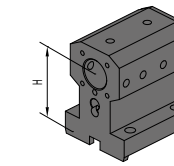
26 mm
32 mm

BMT55 Ø32



Code

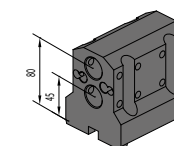
T.BG.B55BB3280K
T.BG.B55BB32100K



Code

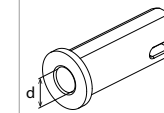
T.BG.B55BB3280K
T.BG.B55BB32100K

BMT55 Ø25

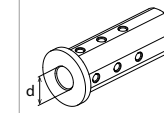


Code

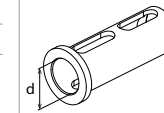
T.BG.B55BD25K



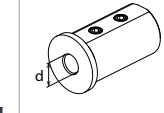
Ød	Code
Ø32	T.B.F32.MT1
Ø32	T.B.F32.MT2



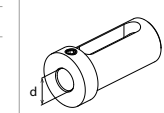
Ød	Code
Ø8	T.B.A3208G
Ø10	T.B.A3210G
Ø12	T.B.A3212G
Ø16	T.B.A3216G
Ø20	T.B.A3220G



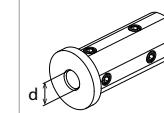
Ød	Code
Ø25	T.B.B3225G



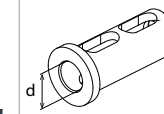
Ød	Code
Ø16	T.B.D3216K
Ø20	T.B.D3220K
Ø25	T.B.D3225K



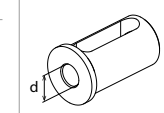
Ød	Code
Ø16	T.B.E3216K
Ø20	T.B.E3220K
Ø25	T.B.E3225K



Ød	Code
Ø6	T.B.A2506G
Ø8	T.B.A2508G
Ø10	T.B.A2510G
Ø12	T.B.A2512G



Ød	Code
Ø16	T.B.B2516G



Ød	Code
Ø8	T.B.C2508K
Ø10	T.B.C2510K
Ø12	T.B.C2512K

MODELLI DI TORNO COMPATIBILI
COMPATIBLE LATHE TYPES

BIGLIA

Vedi pagine compatibilità 6.4 / 6.5 - See compatibility pages 6.4 / 6.5

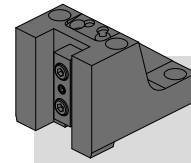
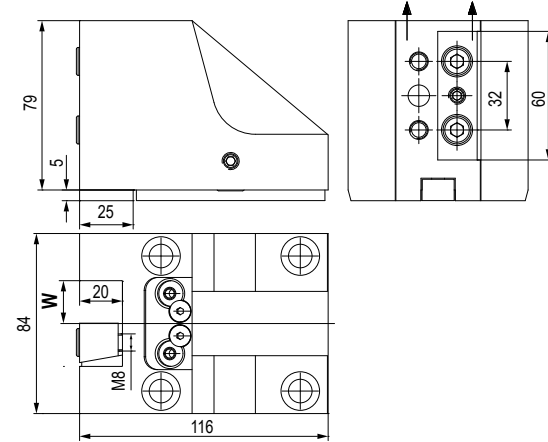
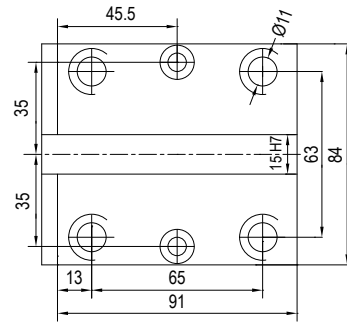
MODELLI DI TORNO COMPATIBILI
COMPATIBLE LATHE TYPES

BIGLIA

Vedi pagine compatibilità 6.4 / 6.5 - See compatibility pages 6.4 / 6.5

**BMT
55**

ATTACCO / COUPLING

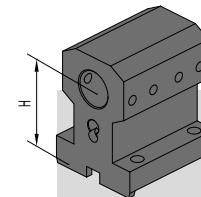
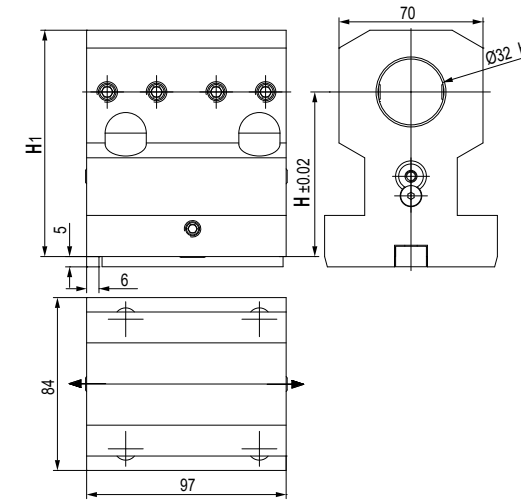


TIPO - TYPE
Stelo quadro radiale
Radial face cutting holder



REFRIGERANTE
COOLANT
Esterno
External

Code	W	
T.BG.B55C12020K	20	



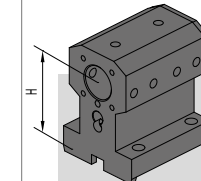
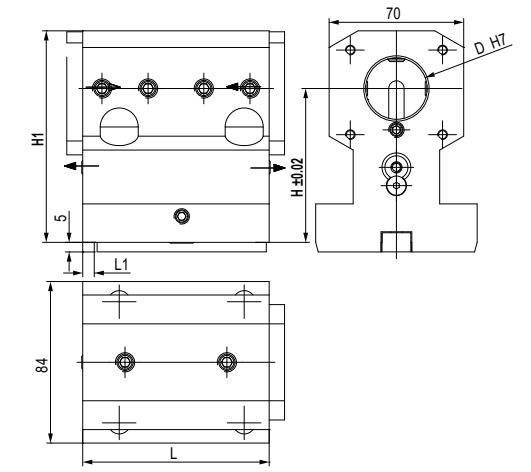
TIPO - TYPE
Portabareno
Boring bar cutting holder



REFRIGERANTE
COOLANT
Esterno
External

Code	Ø	H	H1	
T.BG.B55BB3280K	32	80	110	
T.BG.B55BB32100K	32	100	130	

**BMT
55**

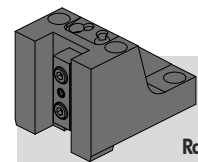
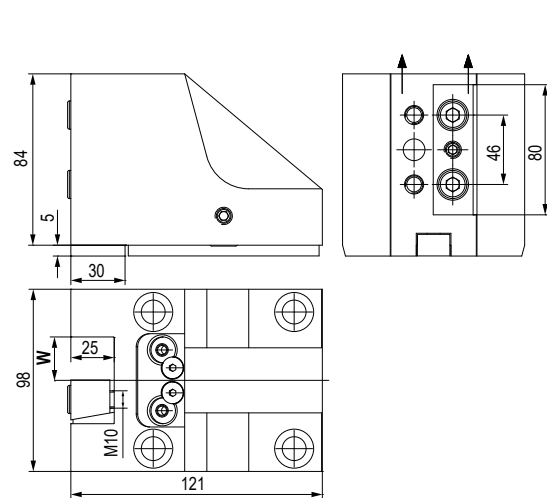


TIPO - TYPE
Portabareno
Boring bar cutting holder



REFRIGERANTE
COOLANT
Esterno & Interno
External & Internal

Code	Ø	H	H1	
T.BG.B55BBC3280K	32	80	110	
T.BG.B55BBC32100K	32	100	130	

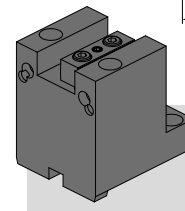
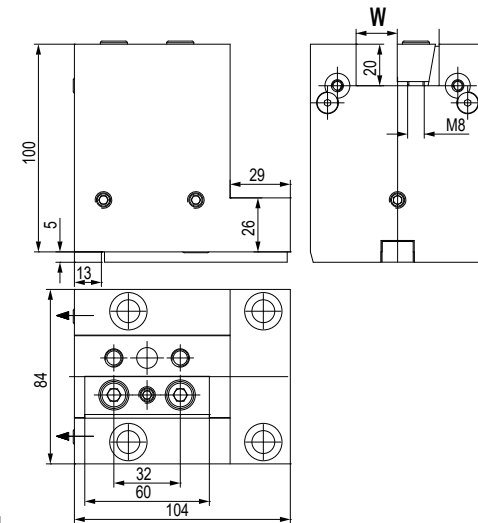


TIPO - TYPE
Stelo quadro radiale
Radial face and cutting holder



REFRIGERANTE
COOLANT
Esterno
External

Code	W	
T.BG.B55C12525K	25	

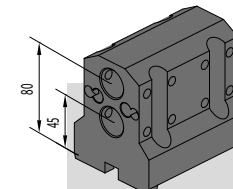
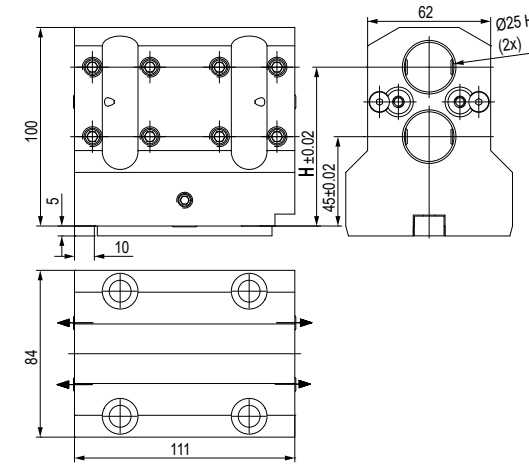


TIPO - TYPE
Stelo quadro assiale
Axial face and cutting holder



REFRIGERANTE
COOLANT
Esterno
External

Code	W	
T.BG.B55B12020K	20	

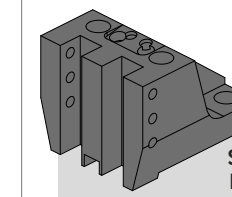
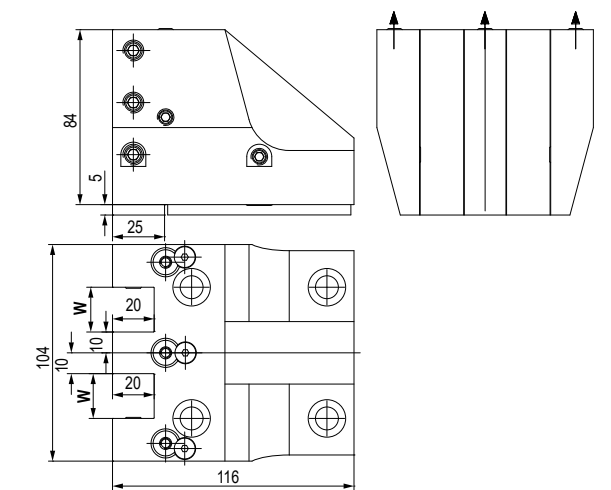


TIPO - TYPE
Portabareno doppio
Double boring bar holder



REFRIGERANTE
COOLANT
Esterno
External

Code	Ø	H	
T.BG.B55BBD25K	25	80	



TIPO - TYPE
Stelo quadro radiale doppio
Radial 2 Face cutting holder



REFRIGERANTE
COOLANT
Esterno
External

Code	W	
T.BG.B55C1D2020K	20	

MODELLI DI TORNIO COMPATIBILI
 COMPATIBLE LATHE TYPES

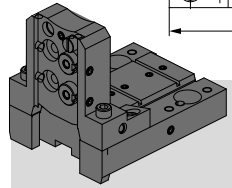
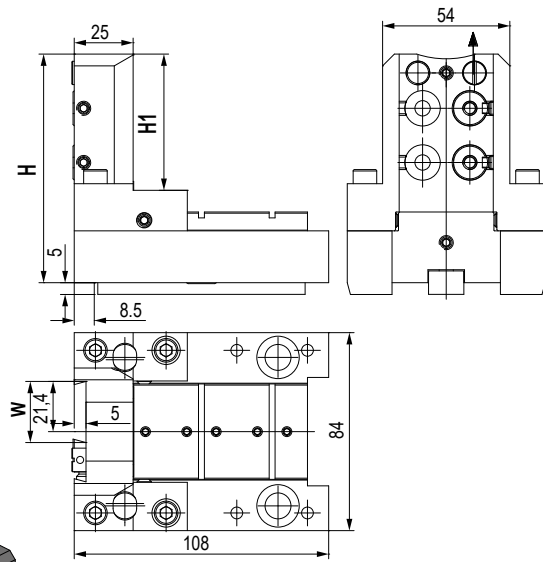
BIGLIA

Vedi pagine compatibilità 6.4 / 6.5 - See compatibility pages 6.4 / 6.5

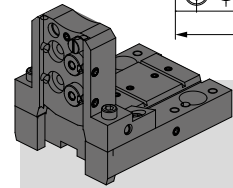
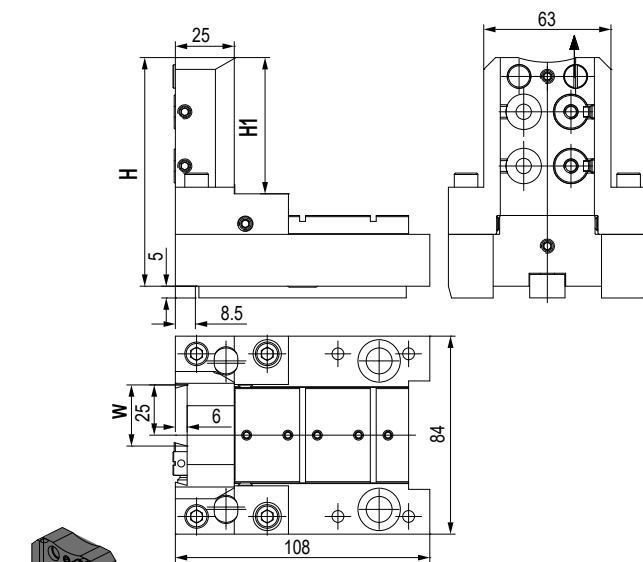
MODELLI DI TORNIO COMPATIBILI
 COMPATIBLE LATHE TYPES

BIGLIA

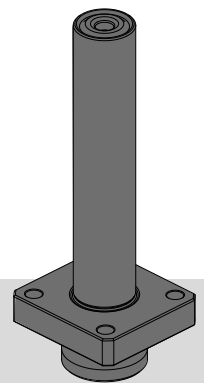
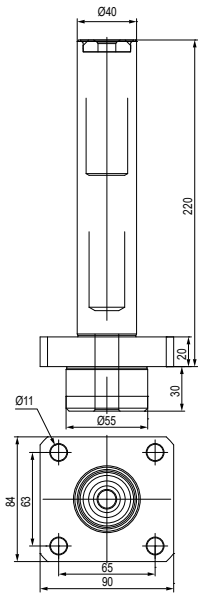
Vedi pagine compatibilità 6.4 / 6.5 - See compatibility pages 6.4 / 6.5

BMT 55

 TIPO - TYPE
Porta Lama
 Cut of holder
 REFRIGERANTE
 COOLANT
 Esterno
 External

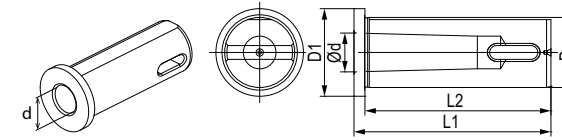
Code	W	H1	H
T.BG.B55H12600K	26	66	105


 TIPO - TYPE
Porta Lama
 Cut of holder
 REFRIGERANTE
 COOLANT
 Esterno
 External

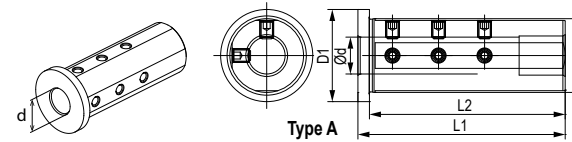
Code	W	H1	H
T.BG.B55H13200K	32	110	80


 TIPO - TYPE
Barra di controllo
 Control Pin

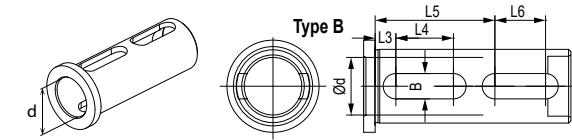
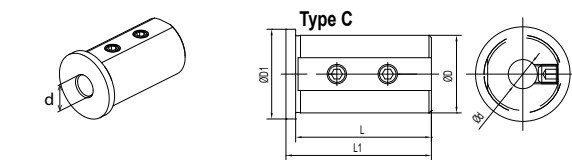
Code	-	-
T.BG.B55CP40220K	-	-

BUSSOLE DI RIDUZIONE PER PORTABARENI
BORING BAR HOLDER REDUCTION SLEEVES
NEW 2021
BMT 55
Bloccaggio con asola a finecorsa / Clamping with limit switch slot


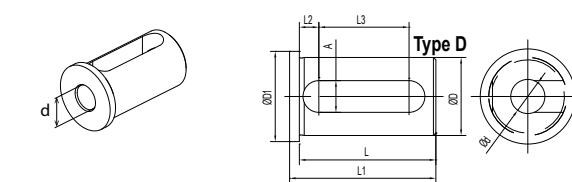
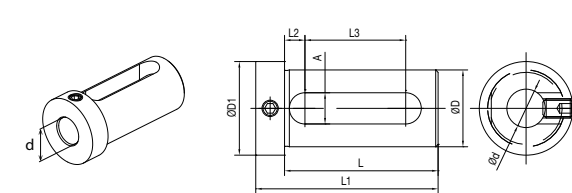
Code	Morse	Ød	ØD	ØD1	L1	L2
T.B.F32.MT1	1	12,065	32	40	90	85
T.B.F32.MT2	2	17,780	32	40	90	85

Bloccaggio con grani / Clamping with set-screws


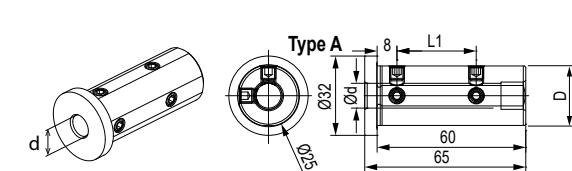
Code	ØD	Ød	ØD1	L1	L2	L3	L4	L5	L6	B	Type
T.B.A3208G	32	8	40	90	85	-	-	-	-	-	A
T.B.A3210G	32	10	40	90	85	-	-	-	-	-	A
T.B.A3212G	32	12	40	90	85	-	-	-	-	-	A
T.B.A3216G	32	16	40	90	85	-	-	-	-	-	A
T.B.A3220G	32	20	40	90	85	-	-	-	-	-	A
T.B.B3225G	32	25	40	90	85	9	25	52	22	11	B

Bloccaggio con doppia asola / Clamping with double slot

Bloccaggio con grani \ Clamping with set-screws


Code	ØD	Ød	L	L1	L2	L3	A	ØD1	Type
T.B.C3208K	32	8	56	60	-	-	-	37	C
T.B.C3210K	32	10	56	60	-	-	-	37	C
T.B.C3212K	32	12	56	60	-	-	-	37	C
T.B.D3216K	32	16	56	60	8	37	13	37	D
T.B.D3220K	32	20	56	60	8	37	13	37	D
T.B.D3225K	32	25	56	60	8	37	13	37	D

Bloccaggio con asola / Clamping with slot

Bloccaggio con asola e grano \ Clamping with slot and set-screw


Code	ØD	Ød	L	L1	L2	L3	A	ØD1
T.B.E3216K	32	16	64	76	8,5	42	13	39
T.B.E3220K	32	20	64	76	8,5	42	13	39
T.B.E3225K	32	25	64	76	8,5	42	13	39

Bloccaggio con grani / Clamping with set-screws


Code	ØD	Ød	L1	Type
T.B.A2506G	25	6	22	A
T.B.A2508G	25	8	27	A
T.B.A2510G	25	10	32	A
T.B.A2512G	25	12	32	A



www.virtualtour.gerardispa.com

IMMERSI A 360° NEL MONDO GERARDI - 360° EXPERIENCE IN THE GERARDI WORLD



virtual reality



many contents



24h accessible

Visita il nostro showroom in qualunque momento!

Immergiti completamente nel mondo Gerardi e scopri tutti i prodotti Workholding e Tooling presenti nel nostro showroom attraverso il nuovo tour virtuale 360°. Visualizza i molteplici contenuti multimediali e resta sempre aggiornato!

Visit our showroom anytime you want !

Immerse yourself in the Gerardi world and discover all the Workholding and Tooling products displayed in our showroom through our 360° virtual tour. Find out all the multimedia contents and stay up to date!



WINDOWS / IOS



ANDROID / IPHONE



NEW 2021

BMT 45 - 55 - 65 - 75 - 85

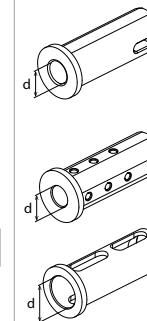
BMT
Bolt Mounted Turret

BMT45 Ø20-Ø32



Code

T.BMT.45BB3265H

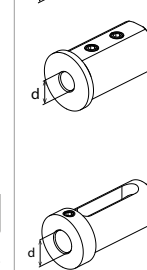


Ød	Code
Ø32	T.B.F32.MT1
Ø32	T.B.F32.MT2
Ø8	T.B.A3208G
Ø10	T.B.A3210G
Ø12	T.B.A3212G
Ø16	T.B.A3216G
Ø20	T.B.A3220G
Ø25	T.B.B3225G



Code

T.BMT.45BBD20H



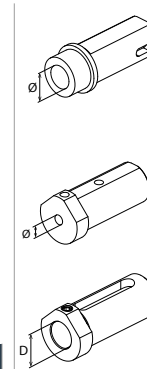
Ø16	T.B.D3216K
Ø20	T.B.D3220K
Ø25	T.B.D3225K
Ø8	T.B.E2008K
Ø10	T.B.E2010K
Ø12	T.B.E2012K
Ø16	T.B.E2016K
Ø16	T.B.E3216K
Ø20	T.B.E3220K
Ø25	T.B.E3225K

BMT55 Ø40



Code

T.BMT.55BB4070H



-	T.B.L.MT1
-	T.B.L.MT2
-	T.B.L.MT3

Ød	Code
Ø10	T.B.M4010G
Ø12	T.B.M4012G
Ø16	T.B.M4016G

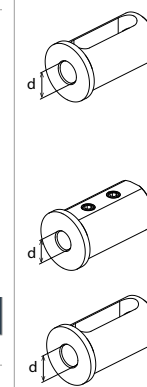
Ød	Code
Ø20	T.B.DS14020G
Ø25	T.B.DS14025G
Ø32	T.B.DS14032G

Ød	Code
Ø20	T.B.DS24020G
Ø25	T.B.DS24025G
Ø32	T.B.DS24032G



Code

T.BMT.55BBC4060K
T.BMT.55BBC40100K



Ød	Code
Ø8	T.B.C4008K
Ø10	T.B.C4010K
Ø12	T.B.C4012K

Ød	Code
Ø16	T.B.D.4016K
Ø20	T.B.D.4020K
Ø25	T.B.D.4025K
Ø32	T.B.D.4032K

Ød	Code
Ø16	T.B.E4016G
Ø20	T.B.E4020G
Ø25	T.B.E4025G
Ø32	T.B.E4032G

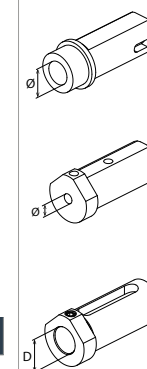
DOOSAN / HARDINGE / SAMSUNG / HWACHEON
HYUNDAI WIA / VICTOR / HAAS / GOODWAY / JYOTI

BMT65/75 Ø40/50



Code

T.BMT.65BBC4072H
T.BMT.65BBC40100H



Ød	Code
-	T.B.L.MT1
-	T.B.L.MT2
-	T.B.L.MT3

Ød	Code
Ø10	T.B.M4010G
Ø12	T.B.M4012G
Ø16	T.B.M4016G

Ød	Code
Ø20	T.B.DS14020G
Ø25	T.B.DS14025G
Ø32	T.B.DS14032G

Ød	Code
Ø20	T.B.DS24020G
Ø25	T.B.DS24025G
Ø32	T.B.DS24032G

Ød	Code
Ø8	T.B.C4008K
Ø10	T.B.C4010K
Ø12	T.B.C4012K

Ød	Code
Ø16	T.B.D.4016K
Ø20	T.B.D.4020K
Ø25	T.B.D.4025K
Ø32	T.B.D.4032K

Ød	Code
Ø16	T.B.E4016k
Ø20	T.B.E4020k
Ø25	T.B.E4025k
Ø32	T.B.E4032k

BMT85 Ø60



Code

T.BMT.75BBC60110H



Ød	Code
Ø25	T.B.E5025k
Ø32	T.B.E5032k
Ø40	T.B.E5040k

Ød	Code
Ø25	T.B.E6025k
Ø32	T.B.E6032k
Ø40	T.B.E6040k
Ø50	T.B.E6050k

MODELLI DI TORNIO COMPATIBILI
 COMPATIBLE LATHE TYPES

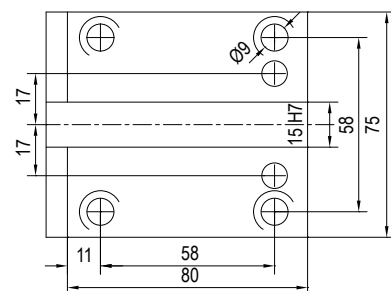
DOOSAN **HARDINGE** **SMEC**

Vedi pagine compatibilità 6.4 / 6.5 - See compatibility pages 6.4 / 6.5

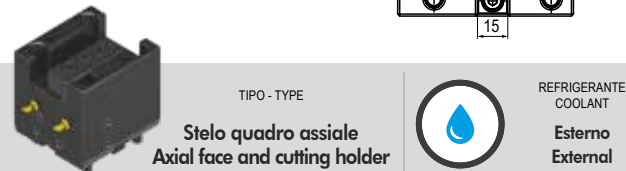
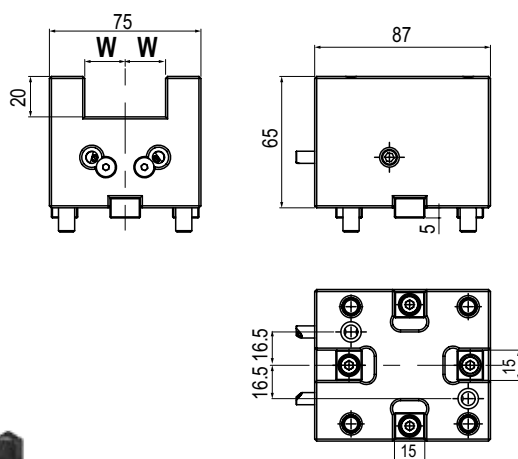
MODELLI DI TORNIO COMPATIBILI
 COMPATIBLE LATHE TYPES

DOOSAN **HARDINGE** **SMEC**

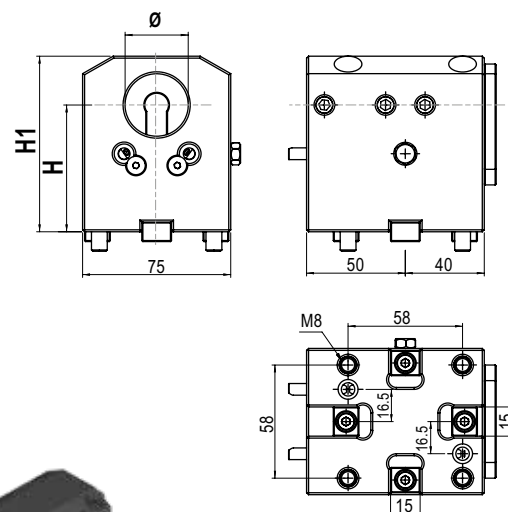
Vedi pagine compatibilità 6.4 / 6.5 - See compatibility pages 6.4 / 6.5

BMT 45
ATTACCO / COUPLING

MODELLI DI TORNIO COMPATIBILI - COMPATIBLE LATHE TYPES

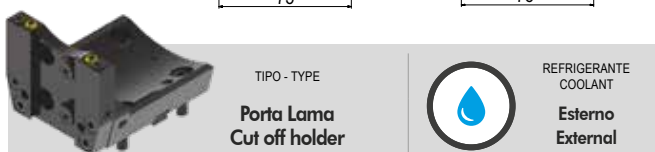
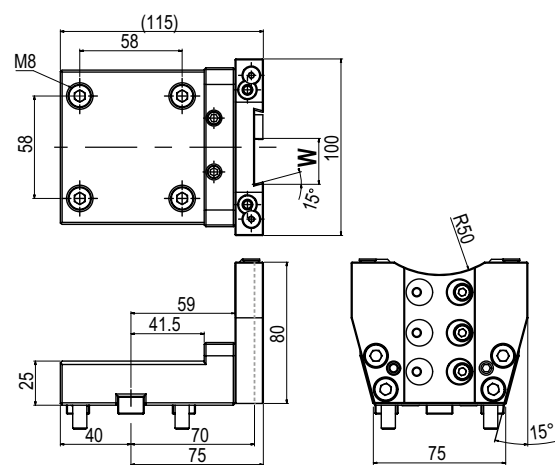
- **DOOSAN BMT45:** LYNX 2100LYA/LYB 24 POSITIONS - LYNX 2100MA/220 (LMSA,LMSC) - 220 (LSYA,LSYC) - 220 (M,LM) LYNX 220 (MA,LMA,MC,LMC) - 220 (YA,YC,LYA,LYC) - PUMA MX1600 (T,ST)
- **HARDINGE BMT45:** GS 42, 51 - T-42, 51 SUPER PRECISION - TALENT 42, 51
- **SMEC:** PL1600 (M, CM)



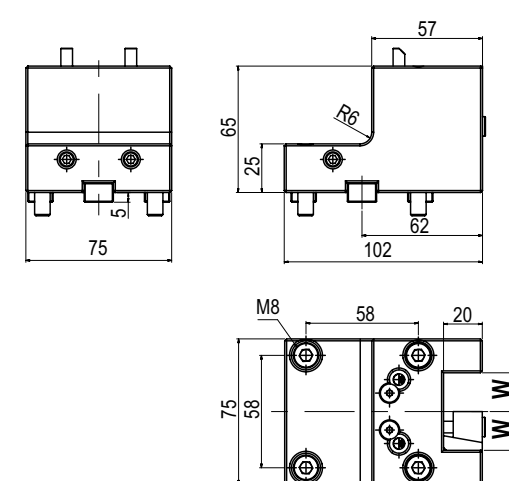
Code	W	
T.BMT.45B12020H	20	



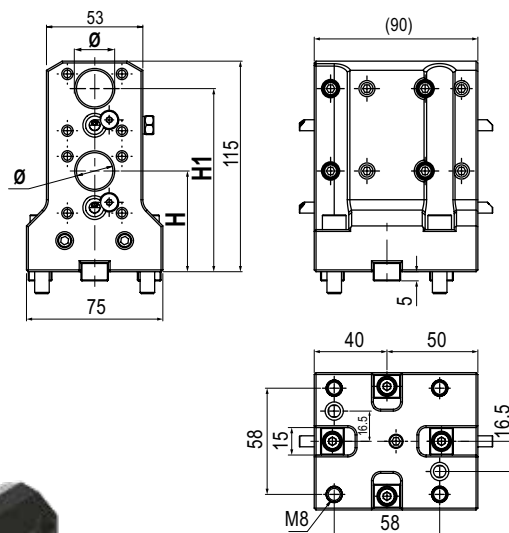
Code	Ø	H	H1	
T.BMT.45BB3265H	32	65	90	



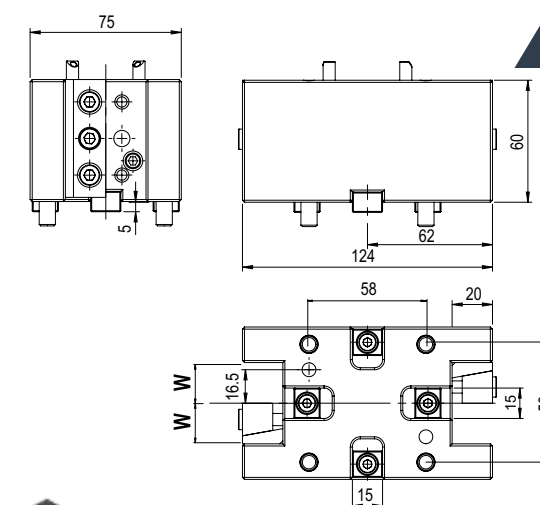
Code	W	
T.BMT.45H12600H	26	



Code	W	
T.BMT.45C12020H	20	



Code	Ø	H	H1	
T.BMT.45BBD20H	20	55	110	

BMT 45


Code	W	
T.BMT.45C1D2020H	20	

6

6

MODELLI DI TORNIO COMPATIBILI
 COMPATIBLE LATHE TYPES

DOOSAN | HARDINGE | SMEC

Vedi pagine compatibilità 6.4 / 6.5 - See compatibility pages 6.4 / 6.5

MODELLI DI TORNIO COMPATIBILI
 COMPATIBLE LATHE TYPES

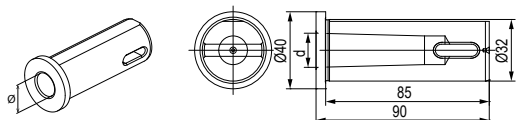
Vedi pagine compatibilità 6.4 / 6.5 - See compatibility pages 6.4 / 6.5

BMT 45

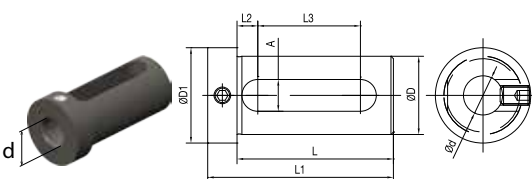
BUSSOLE DI RIDUZIONE PER PORTABARENI

BORING BAR HOLDER REDUCTION SLEEVES

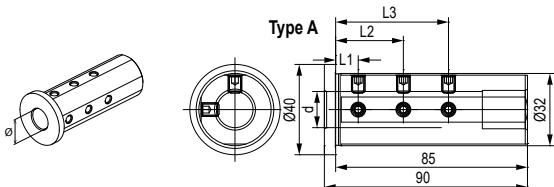
NEW 2021

Bloccaggio con asola a fincorsa / Clamping with limit switch slot


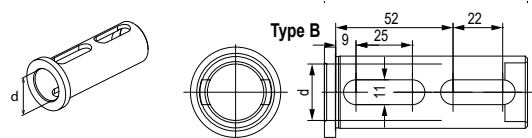
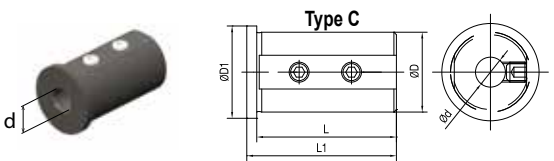
Code	Morse	Ød
T.B.F32.MT1	1	12,065
T.B.F32.MT2	2	17,780

Bloccaggio con asola e grano / Clamping with slot and set-screw


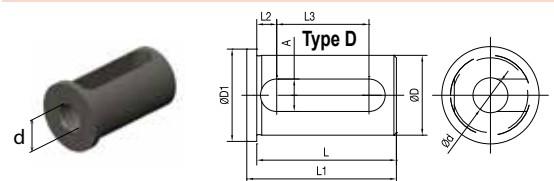
Code	ØD	Ød	L	L1	L2	L3	A	D1
T.B.E2008K	20	8	50	60	7	29	11	28
T.B.E2010K	20	10	50	60	7	29	11	28
T.B.E2012K	20	12	50	60	7	29	11	28
T.B.E2016K	20	16	50	60	7	29	11	28
T.B.E3216K	32	16	65	77	8	42	13	39
T.B.E3220K	32	20	65	77	8	42	13	39
T.B.E3225K	32	25	65	77	8	42	13	39

Bloccaggio con grani / Clamping with set-screws


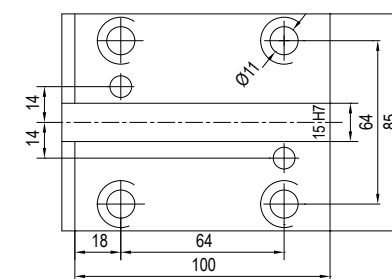
Code	Ød	L1	L2	L3	Type
T.B.A3206G	6	8	35	-	A
T.B.A3208G	8	8	35	-	A
T.B.A3210G	10	8	40	-	A
T.B.A3212G	12	8	40	-	A
T.B.A3216G	16	10	30	50	A
T.B.A3220G	20	10	30	50	A
T.B.B3225G	25	-	-	-	B

Bloccaggio con doppia asola / Clamping with double slot

Bloccaggio con grani / Clamping with set-screws


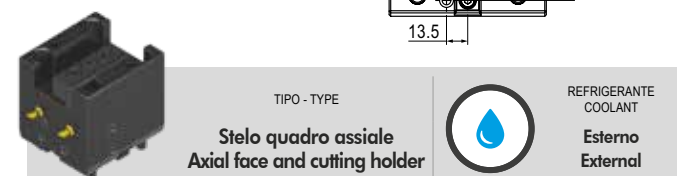
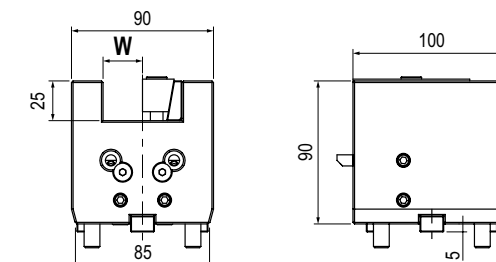
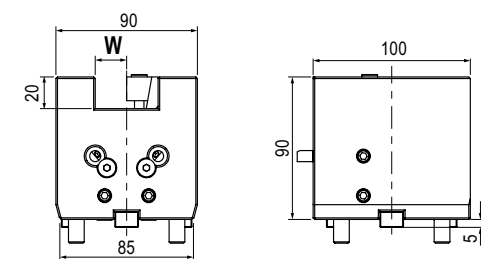
Code	ØD	Ød	L	L1	L2	L3	A	ØD1	Type
T.B.C3208K	32	8	56	60	-	-	-	37	C
T.B.C3210K	32	10	56	60	-	-	-	37	C
T.B.C3212K	32	12	56	60	-	-	-	37	C
T.B.D3220K	32	16	56	60	8	37	13	37	D
T.B.D3225K	32	20	56	60	8	37	13	37	D

Bloccaggio con asola / Clamping with slot


ATTACCO / COUPLING


MODELLI DI TORNIO COMPATIBILI - COMPATIBLE LATHE TYPES

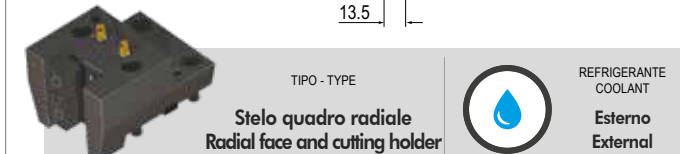
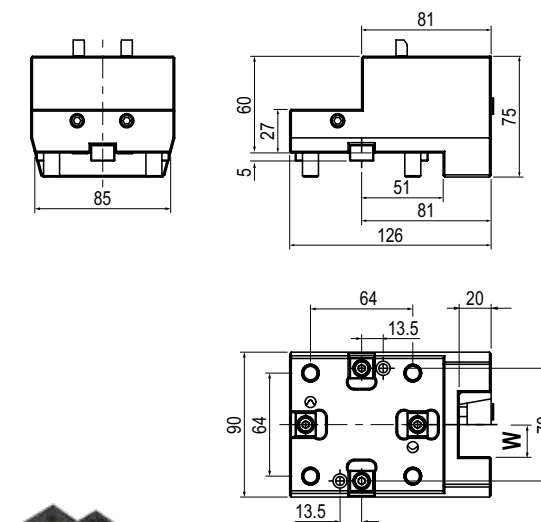
- **DOOSAN BMT55:** Lynx 300(M) - PUMA 1500/2000/2500(M,S,Y) - PUMA 2100 (Y,L,Y,S,Y) - PUMA 2100/2600/3100M/Y/MS/SY - PUMA 230/240/280(M,L,M,S) - PUMA GT2100M - PUMA H250TM - PUMA MX1600 / 2100(ST/LST) - PUMA TL2000/2500 (M,L,M) - PUMA TT1500/1800(M,S,SY) - PUMA TW2600
- **HARDINGE:** CONQUEST H51 - SUPER PRECISION T56 - T65
- **HWACHEON:** CUTEX-160 / 180 / 240 / T2 (MC / SMC / YMC / YSMC) - VT 450 (MC)
- **HYUNDAI WIA:** HD2200 (M / MC) - SKT-160 / 180 TTMS / TTSY / LM1600 / 1800 TTSY - L160, 230 (MA / LMA / LMSA) - SKT-160, 180 (TTMS / TTSY)
- **SAMSUNG:** PL 240 (LM) - SL 1500,2000 (M/SY)
- **VICTOR:** VTURN-A16, A20 (CM / SCM / YCM / YSCM) - VTURN-Q200



Code	W
T.BMT.55B12020H	20



Code	W
T.BMT.55B12525H	25

BMT 55


Code	W
T.BMT.55C12020H	20
T.BMT.55C12525H	25

6

6

MODELLI DI TORNIO COMPATIBILI
COMPATIBLE LATHE TYPES

DOOSAN HWACHEON HYUNDAI WIA SAMSUNG VICTOR

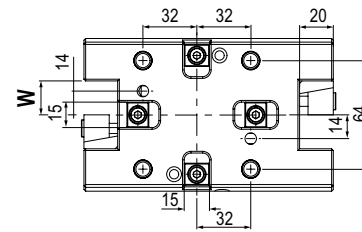
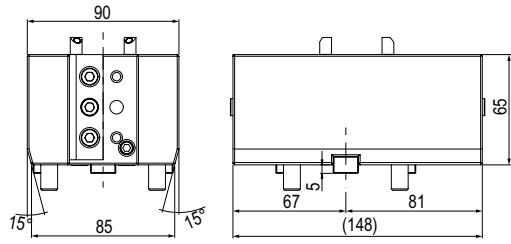
Vedi pagine compatibilità 6.4 / 6.5 - See compatibility pages 6.4 / 6.5

MODELLI DI TORNIO COMPATIBILI
COMPATIBLE LATHE TYPES

DOOSAN HWACHEON HYUNDAI WIA SAMSUNG VICTOR

Vedi pagine compatibilità 6.4 / 6.5 - See compatibility pages 6.4 / 6.5

BMT
55



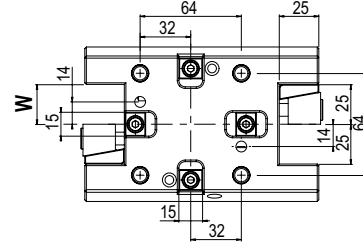
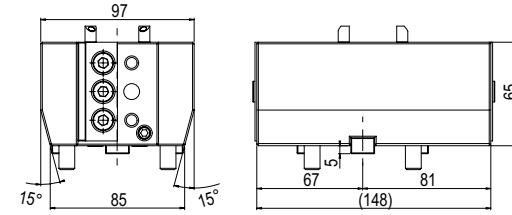
TIPO - TYPE

Stelo quadro radiale doppio
2 RD face and cutting holder



REFRIGERANTE
COOLANT
Esterno
External

Code	W	
T.BMT.55C1D2020H	20	



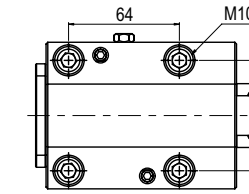
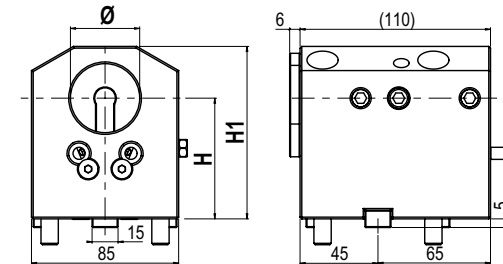
TIPO - TYPE

Stelo quadro radiale doppio
2 RD face and cutting holder



REFRIGERANTE
COOLANT
Esterno
External

Code	W	
T.BMT.55C1D2525H	25	



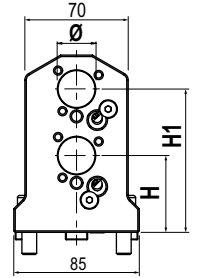
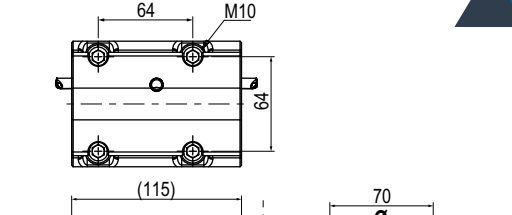
TIPO - TYPE

Portabareno
Boring bar cutting holder



REFRIGERANTE
COOLANT
Esterno & Interno
External & Internal

Code	Ø	H	H1	
T.BMT.55BB4070H	40	70	100	



TIPO - TYPE

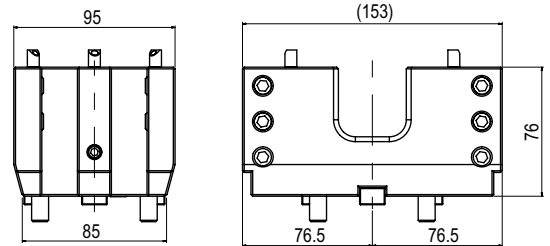
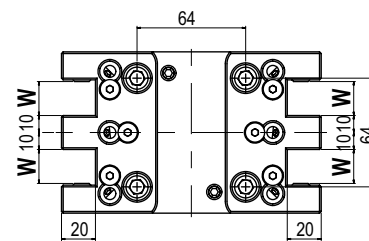
Portabareno doppio
Double boring bar holder



REFRIGERANTE
COOLANT
Esterno
External

Code	Ø	H	H1	
T.BMT.55BBD25H	25	52	97	

6



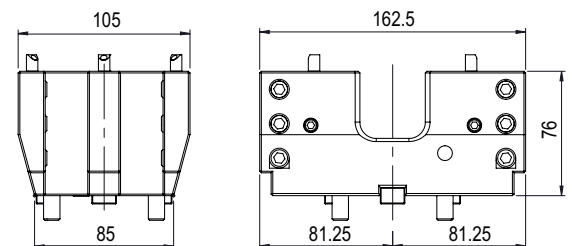
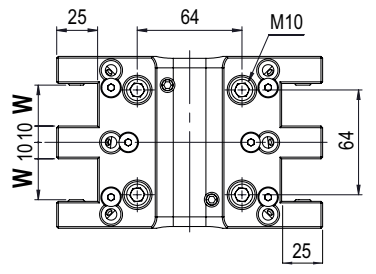
TIPO - TYPE

Stelo quadro rad. quadruplo
4 RD face and cutting holder



REFRIGERANTE
COOLANT
Esterno
External

Code	W	
T.BMT.55C2D2020H	20	



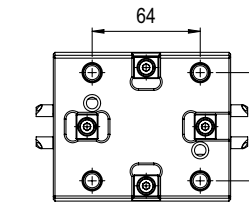
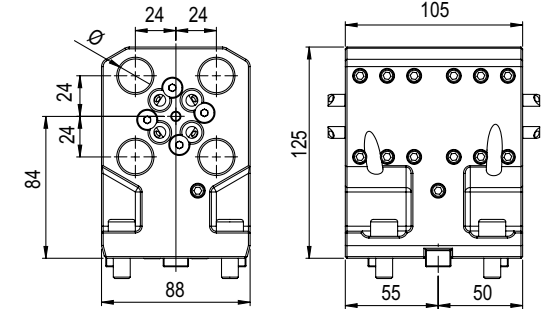
TIPO - TYPE

Stelo quadro rad. quadruplo
4 RD face and cutting holder



REFRIGERANTE
COOLANT
Esterno
External

Code	W	
T.BMT.55C2D2525H	25	



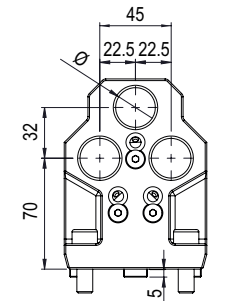
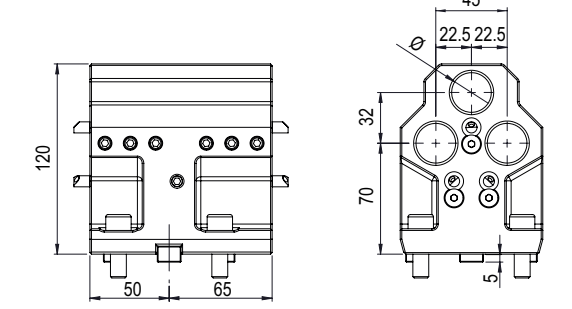
TIPO - TYPE

Portabareno 4 posizioni
4 pos. Boring bar tool holder



REFRIGERANTE
COOLANT
Esterno
External

Code	Ø	
T.BMT.55BB2D20H	20	



TIPO - TYPE

Portabareno 3 posizioni
3 pos. Boring bar tool holder



REFRIGERANTE
COOLANT
Esterno
External

Code	Ø	
T.BMT.55BBT25H	25	

BMT
55

6

MODELLI DI TORNIO COMPATIBILI
 COMPATIBLE LATHE TYPES

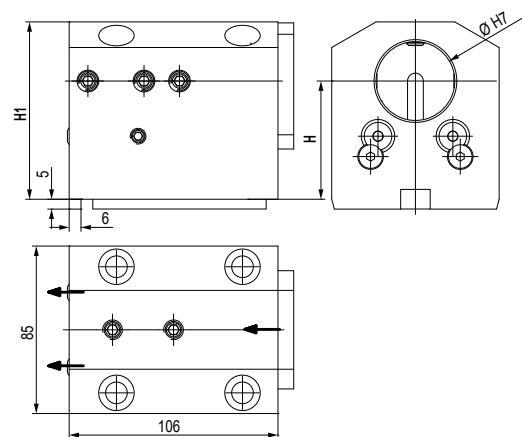
DOOSAN HWACHEON HYUNDAI WIA SAMSUNG VICTOR

Vedi pagine compatibilità 6.4 / 6.5 - See compatibility pages 6.4 / 6.5

MODELLI DI TORNIO COMPATIBILI
 COMPATIBLE LATHE TYPES

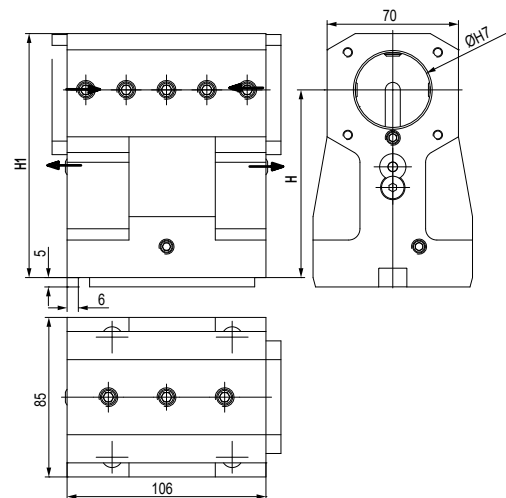
DOOSAN HWACHEON HYUNDAI WIA SAMSUNG VICTOR

Vedi pagine compatibilità 6.4 / 6.5 - See compatibility pages 6.4 / 6.5

BMT 55

 TIPO - TYPE
Portabareno
 Boring bar cutting holder

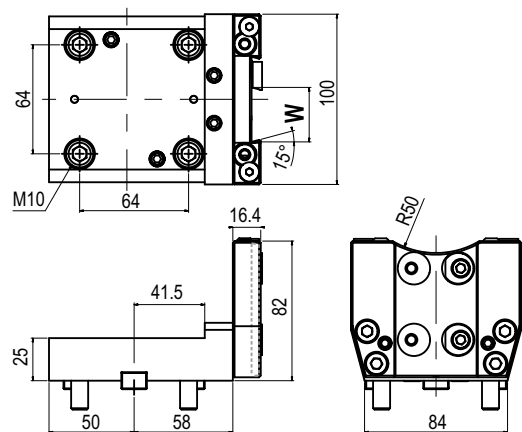
 REFRIGERANTE
 COOLANT
 Esterno & Interno
 External & Internal

Code	Ø	H	H1
T.BMT.55BBC4060K	40	60±0.02	90


 TIPO - TYPE
Portabareno
 Boring bar cutting holder

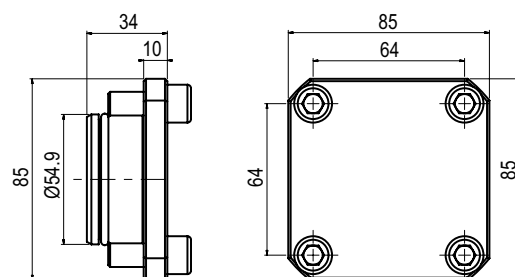
 REFRIGERANTE
 COOLANT
 Esterno & Interno
 External & Internal

Code	Ø	H	H1
T.BMT.55BBC40100K	40	100±0.02	130


 TIPO - TYPE
Porta Lama
 Cut off holder

 REFRIGERANTE
 COOLANT
 Esterno
 External

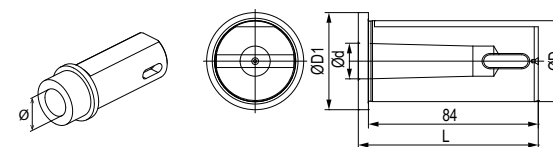
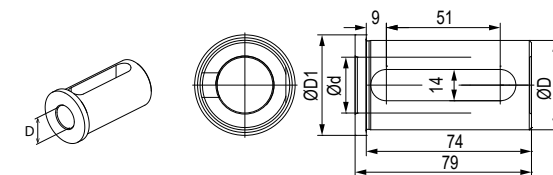
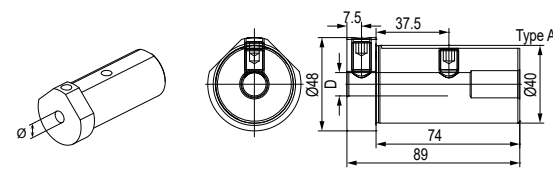
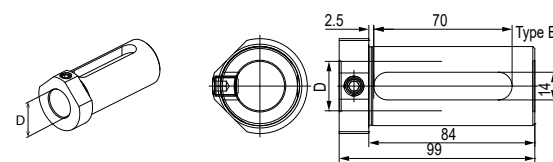
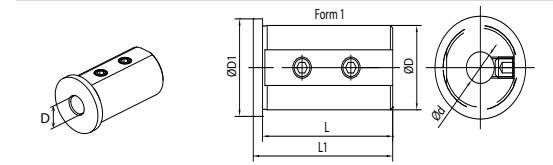
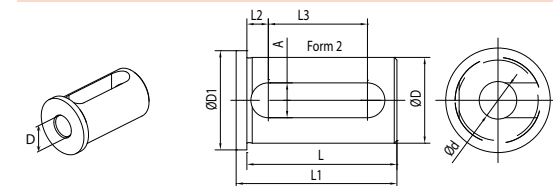
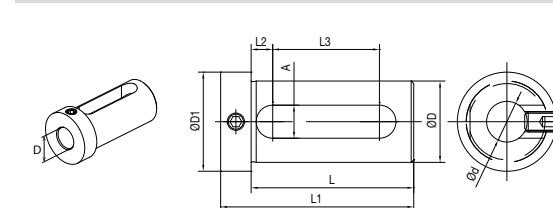
Code	W
T.BMT.55H12600H	26
T.BMT.55H13200H	32


 TIPO - TYPE
Tappo in acciaio
 Steel Turret Cup

Code
T.BMT.55Z10000H

BUSSOLE DI RIDUZIONE PER PORTABARENI
BORING BAR HOLDER REDUCTION SLEEVES

 NEW
 2021

BMT 55
Bloccaggio con con asola a finecorsa / Clamping with limit switch slot

Bloccaggio con asola \ Clamping with slot

Bloccaggio con grano \ Clamping with set-screw

Bloccaggio con asola con grano / Clamping with set-screw

Bloccaggio con grani \ Clamping with set-screws

Bloccaggio con asola / Clamping with slot

Bloccaggio con asola e grano \ Clamping with slot and set-screw


Code	Morse	ØD	Ød	L
T.B.L MT1	1	40	12,065	89
T.B.L MT2	2	40	17,780	89
T.B.L MT3	3	40	23,825	110

Code	Ød
T.B.DS24020G	20
T.B.DS24025G	25
T.B.DS24032G	32

Code	Ød	Type
T.B.M4010G	10	M
T.B.M4012G	12	M
T.B.M4016G	16	M
T.B.DS14020G	20	DS
T.B.DS14025G	25	DS
T.B.DS14032G	32	DS

Code	ØD	Ød	L	I1	I2	I3	A	ØD1	Type
T.B.C2508K	25	8	46	50	-	-	-	30	C
T.B.C2510K	25	10	46	50	-	-	-	30	C
T.B.C2512K	25	12	46	50	-	-	-	30	C
T.B.C4008K	40	8	71	75	-	-	-	45	C
T.B.C4010K	40	10	71	75	-	-	-	45	C
T.B.C4012K	40	12	71	75	-	-	-	45	C
T.B.D2516K	25	16	46	50	8	27	13	30	C
T.B.D2520K	25	20	46	50	8	27	13	30	C
T.B.D4016K	40	16	71	75	8	52	13	45	D
T.B.D4020K	40	20	71	75	8	52	13	45	D
T.B.D4025K	40	25	71	75	8	52	13	45	D
T.B.D4032K	40	32	71	75	8	52	13	45	D

Code	ØD	Ød	L	I1	I2	I3	A	ØD1
T.B.E2008K	20	8	50	60	7	29	11	28
T.B.E2010K	20	10	50	60	7	29	11	28
T.B.E2012K	20	12	50	60	7	29	11	28
T.B.E2016K	20	16	50	60	7	29	11	28
T.B.E2512K	25	12	55	67	8	32	13	33
T.B.E2516K	25	16	55	67	8	32	13	33
T.B.E2520K	25	20	55	67	8	32	13	33
T.B.E4016k	40	16	74	88	9	51	14	48
T.B.E4020k	40	20	74	88	9	51	14	48
T.B.E4025k	40	25	74	88	9	51	14	48
T.B.E4032k	40	32	74	88	9	51	14	48

MODELLI DI TORNIO COMPATIBILI
 COMPATIBLE LATHE TYPES

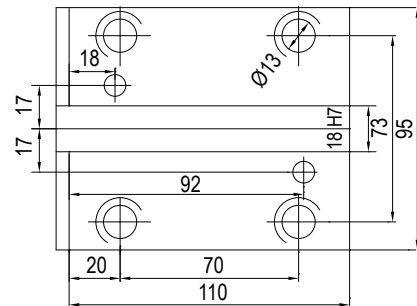
DOOSAN **HWACHEON** **HYUNDAI WIA** **SAMSUNG** **VICTOR** **HAAS** **MAXIS** **TONGAI**

Vedi pagine compatibilità 6.4 / 6.5 - See compatibility pages 6.4 / 6.5

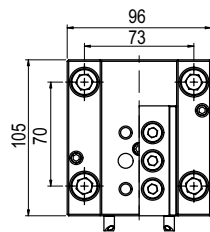
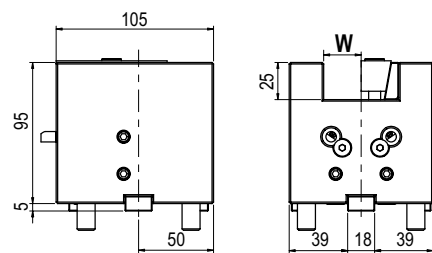
MODELLI DI TORNIO COMPATIBILI
 COMPATIBLE LATHE TYPES

DOOSAN **HWACHEON** **HYUNDAI WIA** **SAMSUNG** **VICTOR** **HAAS** **MAXIS** **TONGAI**

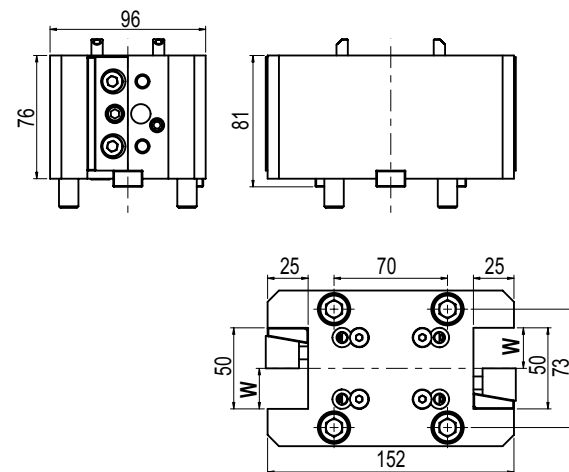
Vedi pagine compatibilità 6.4 / 6.5 - See compatibility pages 6.4 / 6.5

BMT
65
ATTACCO / COUPLING

MODELLI DI TORNIO COMPATIBILI - COMPATIBLE LATHE TYPES

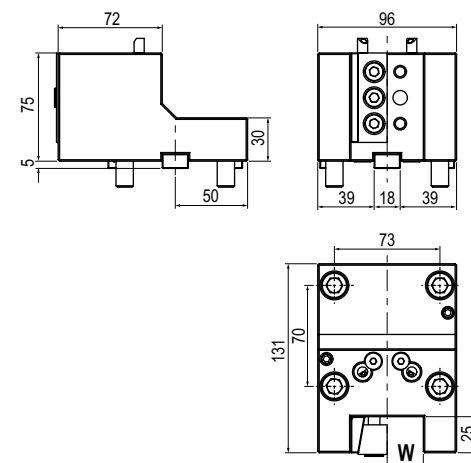
- **DOOSAN:** PUMA 2100/2600 (M,LM,MS,LMS) (Y,LY,LSY) - PUMA 300 (M,MS,MB,MC) - PUMA TT2000 - PUMA3100(M,LM,LY,XLM,XLY,ULM,ULY) - PUMA MX2000/2500 - PUMA MX2600 (T,SY,ST) PUMA TT2500 (MS/SY) - PUMA Y400 (M) - PUMA VT450 (M,2SP) - INVERTURN 3000 (M)
- **HAAS:** ST20 - ST25 - ST30 - ST35 - DS30Y - ST-20Y - ST-25Y - ST-30Y - ST-35Y
- **HWACHEON:** CUTEX-240 (MC/SMC) - HI-TECH 200, 230, 300, 400, 450 (MC/SMC/YMC/YSMC) VT-450 T2-SERIES (MC/SMC/YMC/YSMC)
- **HYUNDAI WIA:** L300 (MA/MC/LMA/LMC/SMA/SMC/ LMSA) - LM 2000, 2500 (TTM/TTMS/TTSY) L2000, 2100, 2600, 3000 (Y/LS/SY/LSY) - SKT200, 250 (TTSY) - SKT250, 300 (LM/LMS/M/MS)
- **MAXIS:** BMT65
- **SAMSUNG SMEC:** SL25/35 - PL20/25/35M - PL35LM - PL2000/2500M - SL3500 (Y)
- **VICTOR:** VTURN-A26 (CM / SCM / YCM / YSCM)
- **TONGAI:** TMT200


 TIPO - TYPE
Stelo quadro assiale
 Axial face and cutting holder

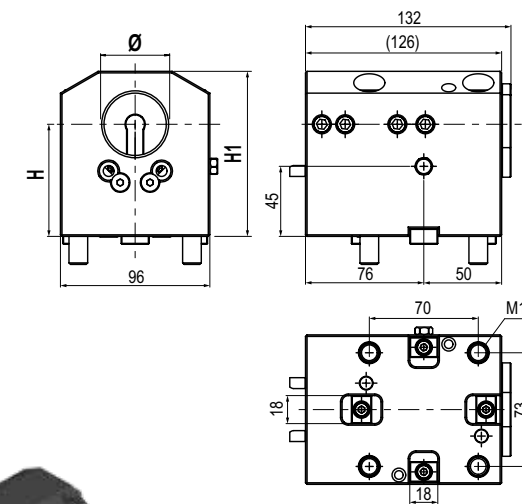

Code	W	
T.BMT.65B12020H	20	
T.BMT.65B12525H	25	


 TIPO - TYPE
Stelo quadro radiale doppio
 2 RD face and cutting holder

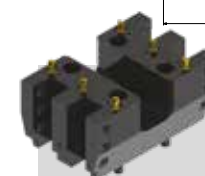
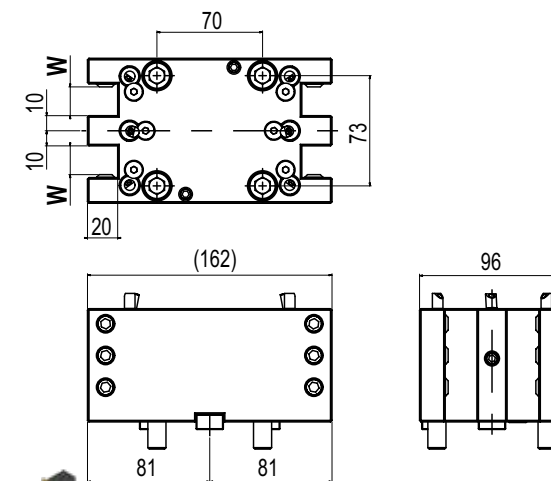

Code	W	
T.BMT.65C1D2020H	20	
T.BMT.65C1D2525H	25	


 TIPO - TYPE
Stelo quadro radiale
 Radial face and cutting holder

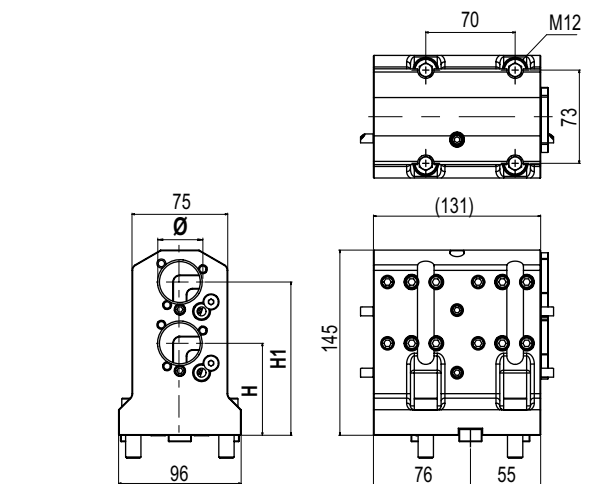

Code	W	
T.BMT.65C12020H	20	
T.BMT.65C12525H	25	


 TIPO - TYPE
Portabareno
 Boring bar cutting holder

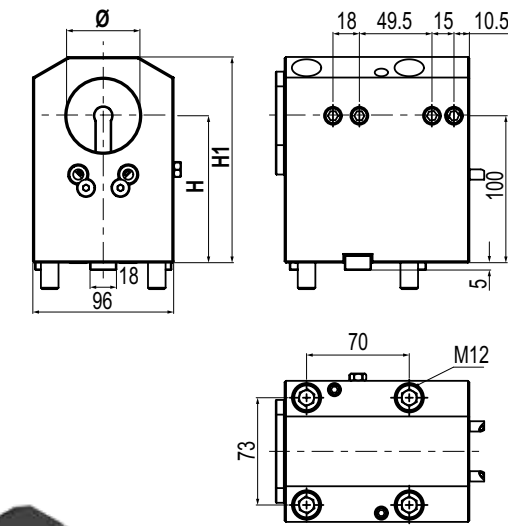

Code	Ø	H	H1	
T.BMT.65BBC4072H	40	72	106	
T.BMT.65BBC40100H	40	100	140	


 TIPO - TYPE
Stelo quadro rad. quadruplo
 4 RD face and cutting holder


Code	W	
T.BMT.65C2D2020H	20	
T.BMT.65C2D2525H	25	

BMT
65

 TIPO - TYPE
Portabareno doppio
 Double boring bar holder


Code	Ø	H	H1	
T.BMT.65BBD32H	32	72	120	


 TIPO - TYPE
Portabareno
 Boring bar cutting holder


Code	Ø	H	H1	
T.BMT.65BBC5072H	50	72	106	
T.BMT.65BBC50100H	50	100	140	

6
6

MODELLI DI TORNO COMPATIBILI
COMPATIBLE LATHE TYPES

DOOSAN HWACHEON HYUNDAI WIA SAMSUNG VICTOR HAAS MAXIS TONGAI

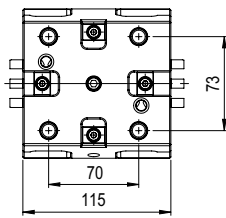
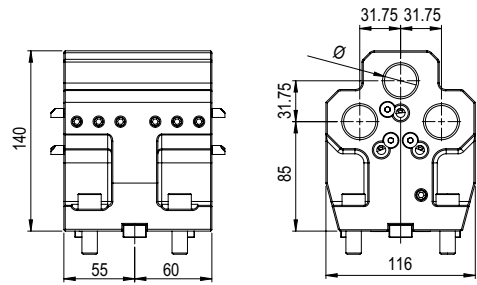
Vedi pagine compatibilità 6.4 / 6.5 - See compatibility pages 6.4 / 6.5

MODELLI DI TORNO COMPATIBILI
COMPATIBLE LATHE TYPES

DOOSAN HWACHEON HYUNDAI WIA SAMSUNG VICTOR HAAS MAXIS TONGAI

Vedi pagine compatibilità 6.4 / 6.5 - See compatibility pages 6.4 / 6.5

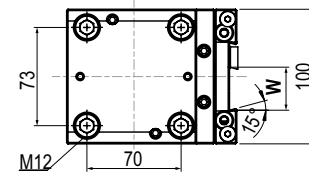
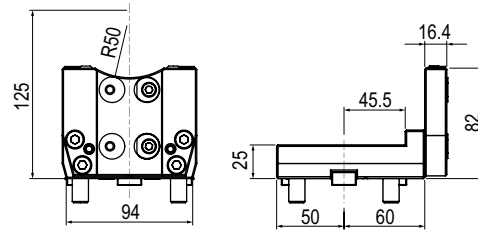
BMT
65



TIPO - TYPE
Portabareno 3 posizioni
3 pos. Boring bar tool holder



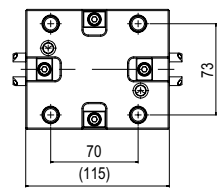
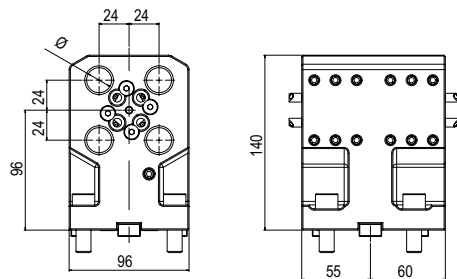
Code	Ø
T.BMT.65BBT25H	25



TIPO - TYPE
Porta Lama
Cut off holder



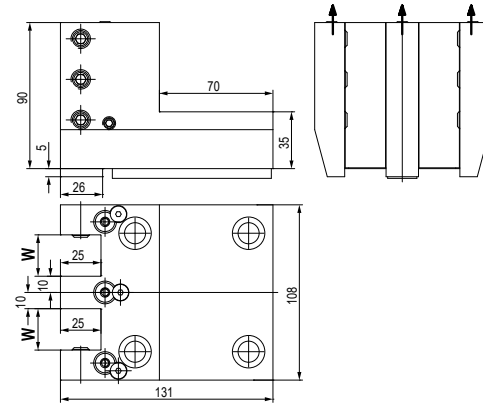
Code	W
T.BMT.65H13200H	32



TIPO - TYPE
Portabareno 4 posizioni
4 pos. Boring bar tool holder



Code	Ø
T.BMT.65BB2D20H	20

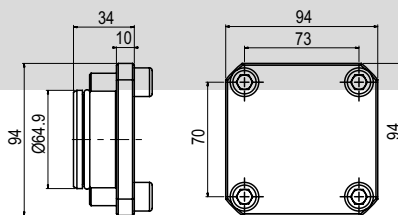


TIPO - TYPE
Stelo quadro radiale doppio
Radial 2 Face cutting holder



Code	W
T.BMT.65C1Y2525K	25

Tappo in acciaio
Steel Turret Cup



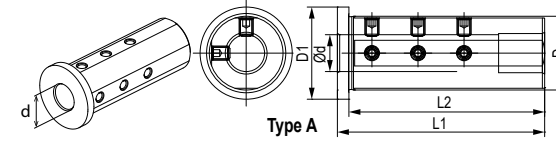
Code
T.BMT.65Z10000H

BMT
65

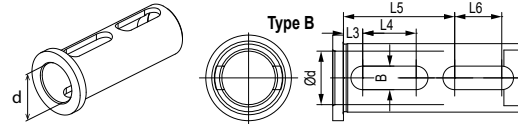
NEW
2021

BUSSOLE DI RIDUZIONE PER PORTABARENI BORING BAR HOLDER REDUCTION SLEEVES

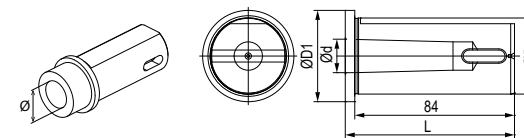
Bloccaggio con grani / Clamping with set-screws



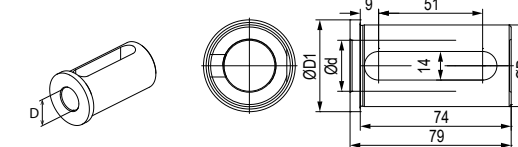
Bloccaggio con doppia asola / Clamping with double slot



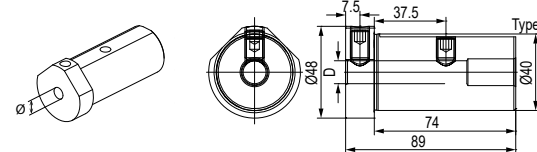
Bloccaggio con asola a finecorsa / Clamping with limit switch slot



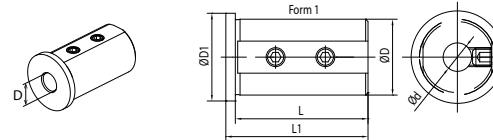
Bloccaggio con asola \ Clamping with slot



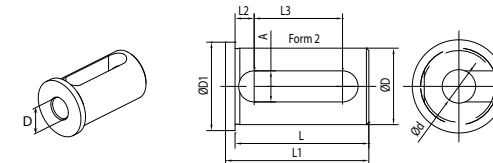
Bloccaggio con grano \ Clamping with set-screw



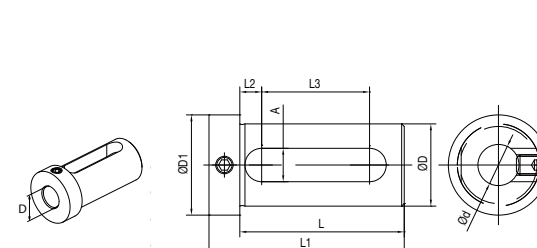
Bloccaggio con grani \ Clamping with set-screws



Bloccaggio con asola / Clamping with slot



Bloccaggio con asola e grano \ Clamping with slot and set-screw

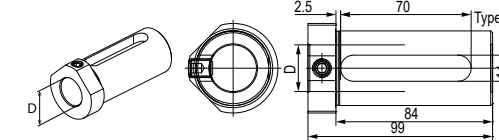


Code	ØD	Ød	ØD1	L1	L2	L3	L4	L5	L6	B	Type
T.B.A5012G	50	12	60	130	125	-	-	-	-	-	A
T.B.A5016G	50	16	60	130	125	-	-	-	-	-	A
T.B.A5020G	50	20	60	130	125	-	-	-	-	-	A
T.B.A5025G	50	25	60	130	125	-	-	-	-	-	A
T.B.A5032G	50	32	60	130	125	-	-	-	-	-	A
T.B.B5040G	50	40	60	130	125	10	45	75	37	13	B

Code	Morse	ØD	Ød	L
T.B.L MT1	1	40	12,065	89
T.B.L MT2	2	40	17,780	89
T.B.L MT3	3	40	23,825	110

Code	D	Ød
T.B.DS24020G	40	20
T.B.DS24025G	40	25
T.B.DS24032G	40	32

Bloccaggio con asola con grano
Clamping with slot and set-screw



Code	Ød	Type
T.B.M4010G	10	M
T.B.M4012G	12	M
T.B.M4016G	16	M
T.B.DS14020G	20	DS
T.B.DS14025G	25	DS
T.B.DS14032G	32	DS

Code	ØD	Ød	L	I1	I2	I3	A	ØD1	Type
T.B.C25 08K	25	8	46	50	-	-	-	30	C
T.B.C2510K	25	10	46	50	-	-	-	30	C
T.B.C2512K	25	12	46	50	-	-	-	30	C
T.B.C3216K	32	16	56	60	-	-	-	37	C
T.B.C4008K	40	8	71	75	-	-	-	45	C
T.B.C4010K	40	10	71	75	-	-	-	45	C
T.B.C4012K	40	12	71	75	-	-	-	45	C
T.B.D2516K	25	16	46	50	8	27	13	30	C
T.B.D2520K	25	20	46	50	8	27	13	30	C
T.B.D3216K	32	16	56	60	8	37	13	37	D
T.B.D3220K	32	20	56	60	8	37	13	37	D
T.B.D4016K	40	16	71	75	8	52	13	45	D
T.B.D4020K	40	20	71	75	8	52	13	45	D
T.B.D4025K	40	25	71	75	8	52	13	45	D
T.B.D4032K	40	32	71	75	8	52	13	45	D

Code	ØD	Ød	L	I1	I2	I3	A	ØD1
T.B.E2008K	20	8	50	60	7	29	11	28
T.B.E2010K	20	10	50	60	7	29	11	28
T.B.E2012K	20	12	50	60	7	29	11	28
T.B.E2016K	20	16	50	60	7	29	11	28
T.B.E2512K	25	12	55	67	8	32	13	33
T.B.E2516K	25	16	55	67	8	32	13	33
T.B.E2520K	25	20	55	67	8	32	13	33
T.B.E4016K	40	16	74	88	9	51	14	48
T.B.E4020K	40	20	74	88	9	51	14	48
T.B.E4025K	40	25	74	88	9	51	14	48
T.B.E4032K	40	32	74	88	9	51	14	48
T.B.E5025K	50	25	84	98	9	61	14	59
T.B.E5032K	50	32	84	98	9	61	14	59
T.B.E5040K	50	40	84	98	9	61	14	59

MODELLI DI TORNIO COMPATIBILI
 COMPATIBLE LATHE TYPES

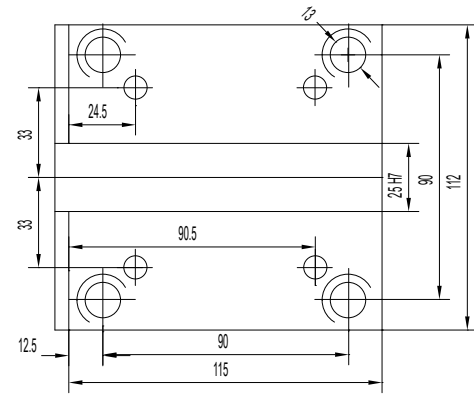
DOOSAN HWACHEON HYUNDAI WIA SAMSUNG VICTOR HAAS MAXIS TONGAI

Vedi pagine compatibilità 6.4 / 6.5 - See compatibility pages 6.4 / 6.5

MODELLI DI TORNIO COMPATIBILI
 COMPATIBLE LATHE TYPES

DOOSAN HWACHEON HYUNDAI WIA SAMSUNG

Vedi pagine compatibilità 6.4 / 6.5 - See compatibility pages 6.4 / 6.5

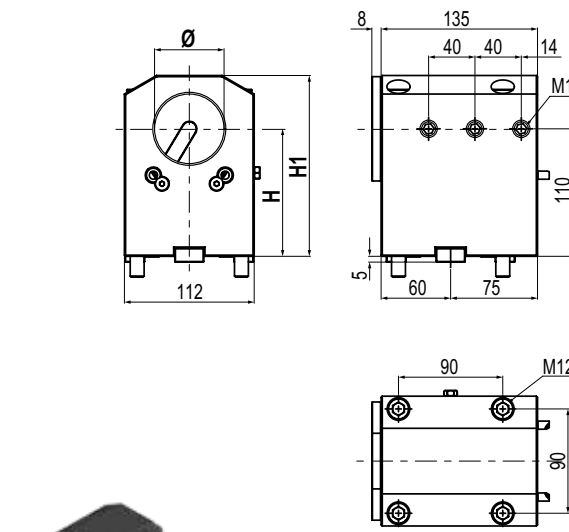
BMT 75
ATTACCO / COUPLING

MODELLI DI TORNIO COMPATIBILI - COMPATIBLE LATHE TYPES

- **DOOSAN:** PUMA 400, 480, 500 (M / LM) - PUMA 4100, 5100 (M / LY) PUMA V550, 8300 (M) - PUMA VT750 (M / M-2SP)
- **HWACHEON:** HI-TECH 550/700/850/7026 - VT550 / 650 (MC)
- **HYUNDAI WIA:** L400 (MA / LM / LC / LMC) - LV800 (RM) - V80 (R / RM) - SKT-400 (M / LMC)
- **SAMSUNG:** 45 (M) - 800 (VM) - SL45 - 5500 (M)

TIPO - TYPE: Stelo quadro assiale
Axial face and cutting holder

REFRIGERANTE COOLANT: Esterno
External

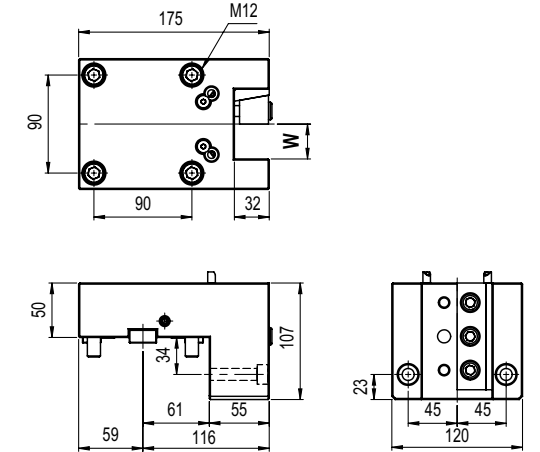
Code	W	
T.BMT.75B12525H	25	
T.BMT.75B13232H	32	



TIPO - TYPE: Portabareno
Boring bar cutting holder

REFRIGERANTE COOLANT: Esterno & Interno
External & Internal

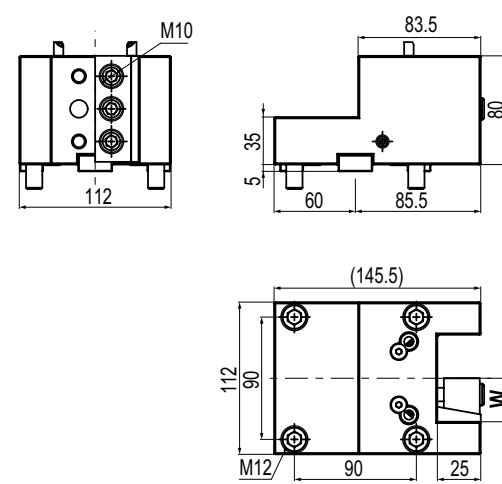
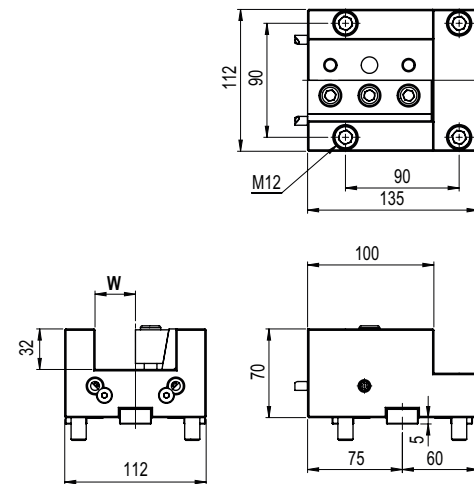
Code	Ø	H	H1	
T.BMT.75BBC60110H	60	110	156	

BMT 75


TIPO - TYPE: Stelo quadro radiale
Radial face and cutting holder

REFRIGERANTE COOLANT: Esterno
External

Code	W	
T.BMT.75C13232LH	32	

6


TIPO - TYPE: Stelo quadro assiale
Axial face and cutting holder

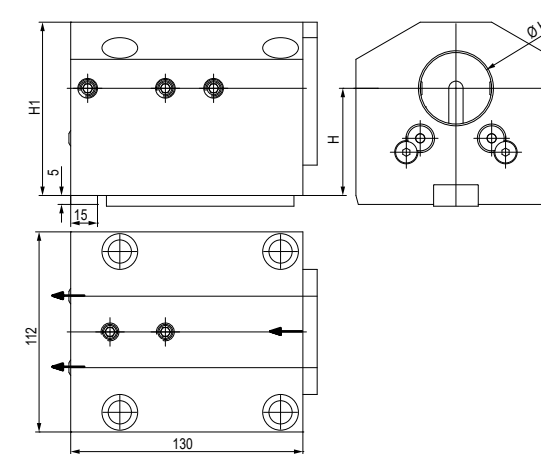
REFRIGERANTE COOLANT: Esterno
External

Code	W	
T.BMT.75B13232LH	32	

TIPO - TYPE: Stelo quadro radiale
Radial face and cutting holder

REFRIGERANTE COOLANT: Esterno
External

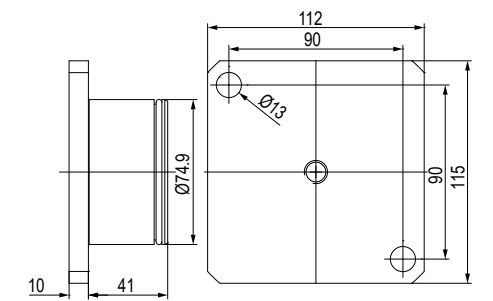
Code	W	
T.BMT.75C12525H	25	
T.BMT.75C13232H	32	



TIPO - TYPE: Portabareno
Boring bar cutting holder

REFRIGERANTE COOLANT: Esterno & Interno
External & Internal

Code	Ø	H	H1	
T.BMT.75BBC4060K	40	60±0,02	97	
T.BMT.75BBC5060K	50	60±0,02	97	

6


TIPO - TYPE: Tappo in acciaio
Steel Turret Cup

Code	
T.BMT.75Z10000H	

MODELLI DI TORNIO COMPATIBILI
 COMPATIBLE LATHE TYPES

DOOSAN HWACHEON HYUNDAI WIA SAMSUNG

Vedi pagine compatibilità 6.4 / 6.5 - See compatibility pages 6.4 / 6.5

 MODELLI DI TORNIO COMPATIBILI
 COMPATIBLE LATHE TYPES

DOOSAN

Vedi pagine compatibilità 6.4 / 6.5 - See compatibility pages 6.4 / 6.5

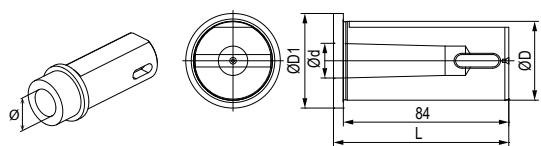
BMT
75

BUSSOLE DI RIDUZIONE PER PORTABARENI

BORING BAR HOLDER REDUCTION SLEEVES

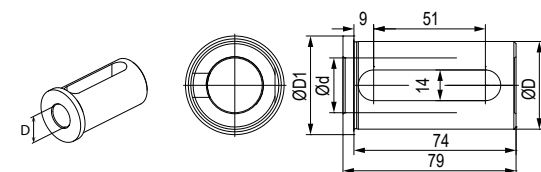
 NEW
 2021

Bloccaggio con asola a finecorsa / Clamping with limit switch slot



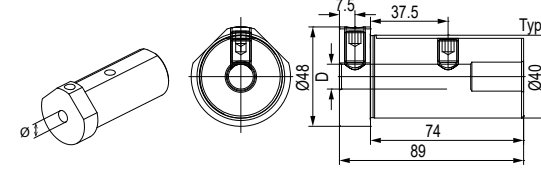
Code	Morse	ØD	Ød	ØD1	L
T.B.L.MT1	1	40	12,065	48	89
T.B.L.MT2	2	40	17,780	48	89
T.B.L.MT3	3	40	23,825	48	110

Bloccaggio con asola / Clamping with collar



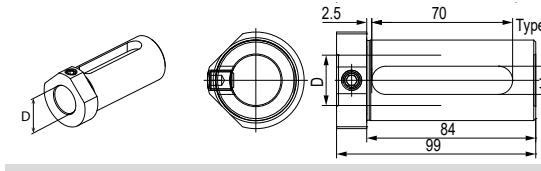
Code	ØD	Ød	ØD1
T.B.DS24020G	40	20	45
T.B.DS24025G	40	25	45
T.B.DS24032G	40	32	45

Bloccaggio con grano \ Clamping with set-screw

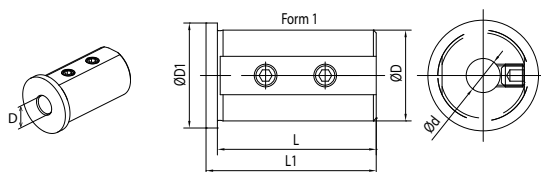


Code	ØD	Ød	ØD1	Type
T.B.M4010G	40	10	48	M
T.B.M4012G	40	12	48	M
T.B.M4016G	40	16	48	M
T.B.DS14020G	40	20	48	DS
T.B.DS14025G	40	25	48	DS
T.B.DS14032G	40	32	48	DS

Bloccaggio con asola con grano / Clamping with set-screw

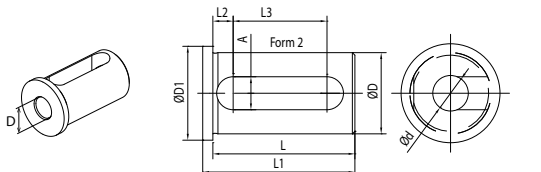


Bloccaggio con grani \ Clamping with set-screws

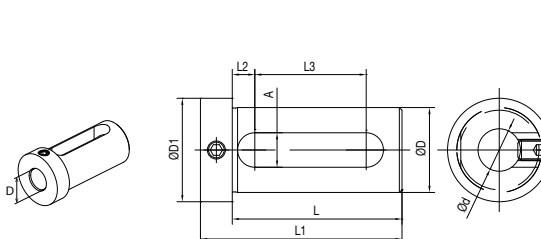


Code	ØD	Ød	L	L1	L2	L3	A	ØD1	Type
T.B.C4008K	40	8	71	75	-	-	-	45	C
T.B.C4010K	40	10	71	75	-	-	-	45	C
T.B.C4012K	40	12	71	75	-	-	-	45	C
T.B.D.4016K	40	16	71	75	8	52	13	45	D
T.B.D.4020K	40	20	71	75	8	52	13	45	D
T.B.D.4025K	40	25	71	75	8	52	13	45	D
T.B.D.4032K	40	32	71	75	8	52	13	45	D

Bloccaggio con asola / Clamping with collar and slot

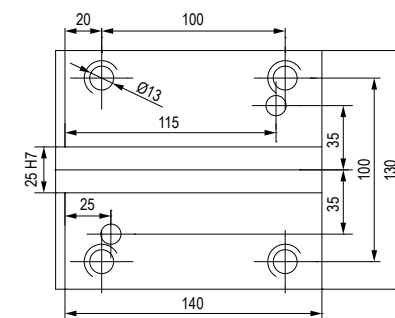


Bloccaggio con asola e grano \ Clamping with slot and set-screw



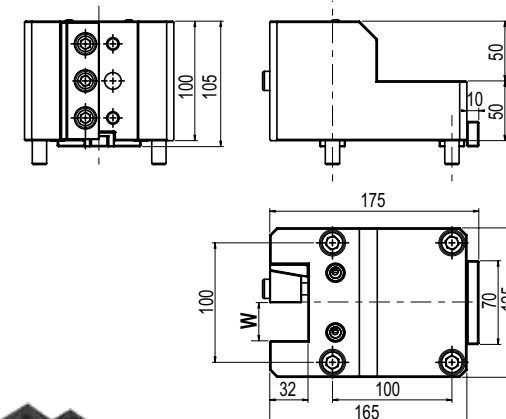
Code	ØD	Ød	L	L1	L2	L3	A	ØD1
T.B.E4016k	40	16	74	88	9	51	14	48
T.B.E4020k	40	20	74	88	9	51	14	48
T.B.E4025k	40	25	74	88	9	51	14	48
T.B.E4032k	40	32	74	88	9	51	14	48
T.B.E5025k	50	25	84	98	9	61	14	59
T.B.E5032k	50	32	84	98	9	61	14	59
T.B.E5040k	50	40	84	98	9	61	14	59
T.B.E6025k	60	25	94	108	9	71	14	69
T.B.E6032k	60	32	94	108	9	71	14	69
T.B.E6040k	60	40	94	108	9	71	14	69
T.B.E6050k	60	50	94	108	9	71	14	69

ATTACCO / COUPLING

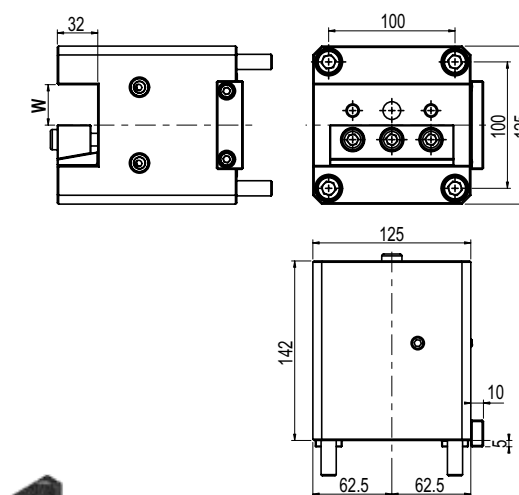


MODELLI DI TORNIO COMPATIBILI - COMPATIBLE LATHE TYPES

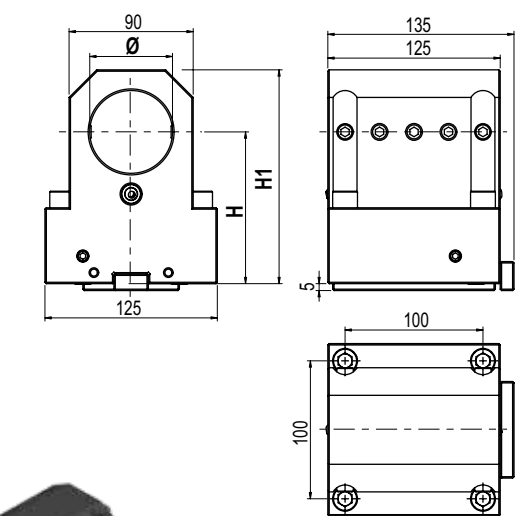
- DOOSAN: PUMA VT900M (TM/M) + 18141VT1 - 100M (M) + 18141 - PUMA 600 (M/LM/M) + 18141 PUMA 700 (M/LM/M) + 18141 - PUMA 800 (M/LM) - PUMA VT1100 (M)


 TIPO - TYPE
 Stelo quadro radiale
 Radial face and cutting holder
 REFRIGERANTE COOLANT
 Esterno External

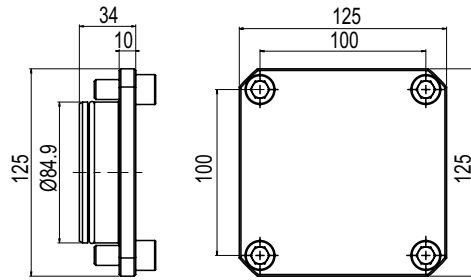
Code	W
T.BMT.85C13232H	32

BMT
85

 TIPO - TYPE
 Stelo quadro assiale
 Axial face and cutting holder
 REFRIGERANTE COOLANT
 Esterno External

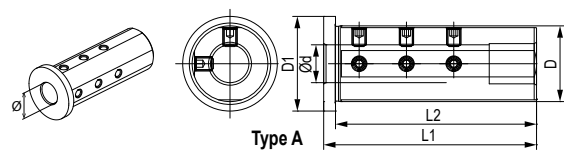
Code	W
T.BMT.85B13232H	32


 TIPO - TYPE
 Portabareno
 Boring bar cutting holder
 REFRIGERANTE COOLANT
 Esterno External

Code	Ø	H	H1
T.BMT.85BB6085H	60	85	130
T.BMT.85BB60110H	60	110	155

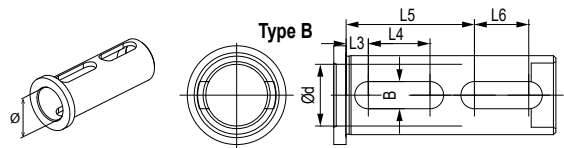

BUSSOLE DI RIDUZIONE PER PORTABARENI
BORING BAR HOLDER REDUCTION SLEEVE
NEW
2021

Bloccaggio con grani / Clamping with set-screws

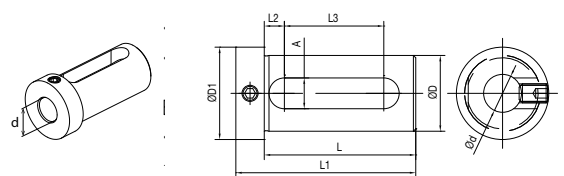


Code	ØD	Ød	ØD1	L1	L2	L3	L4	L5	L6	B	Type
T.B.A6020G	60	20	70	140	135	-	-				1
T.B.A6025G	60	25	70	140	135	-	13				2
T.B.A6032G	60	32	70	140	135	-	13				2
T.B.A6040G	60	40	70	140	135	-	13				2
T.B.B6050G	60	50	70	140	135	15					1

Bloccaggio con doppia asola / Clamping with double slot

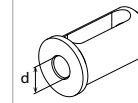


Bloccaggio con asola e grano / Clamping with slot and set-screw

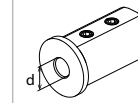


Code	ØD	Ød	L	L1	L2	L3	A	ØD1
T.B.E6025k	60	25	94	108	9	71	14	69
T.B.E6032k	60	32	94	108	9	71	14	69
T.B.E6040k	60	40	94	108	9	71	14	69
T.B.E6050k	60	50	94	108	9	71	14	69

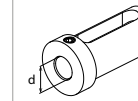
VDI 30 - 40 - 40 -60
BOLT-ON
VDI30 Ø32

Code
 T.V30.BB32100K


Ød	Code
Ø16	T.B.D3216K
Ø20	T.B.D3220K
Ø25	T.B.D3225K

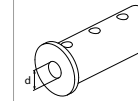

Code
 T.V30.BB3285K


Ød	Code
Ø8	T.B.C3208K
Ø10	T.B.C3210K
Ø12	T.B.C3212K

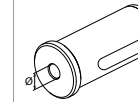

Code
 T.V30.BBD3285K


Ød	Code
Ø16	T.B.E3216K
Ø20	T.B.E3220K
Ø25	T.B.E3225K

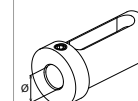
BOLT-ON Ø40-50

Code
 T.MS.B00BB4040K
 T.MS.B00BB5040K


Ød	Code	Ød	Code
Ø32	T.B.MS4032G	Ø16	T.B.MS4016G
Ø25	T.B.MS4025G	Ø12	T.B.MS4012G
Ø20	T.B.MS4020G	Ø10	T.B.MS4010G
Ø16	T.B.MS4016G	Ø8	T.B.MS4008G

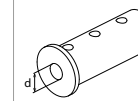

Code
 T.MS.B00BB4040K


Code	
T.B.MS40.MT3	
T.B.MS40.MT2	


Code
 T.MS.B00BBC4040RK1


Ød	Code	Ød	Code
Ø16	T.B.E4016k	Ø25	T.B.E5025k
Ø20	T.B.E4020k	Ø32	T.B.E5032k
Ø25	T.B.E4025k	Ø40	T.B.E5040k
Ø32	T.B.E4032k		

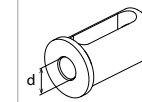
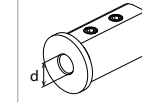
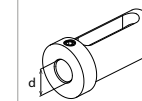
BOLT-ON Ø32

Code
 T.MS.B00BBD32K


Ød	Code	Ød	Code
Ø25	T.B.MS3225G	Ø12	T.B.MS3212G
Ø20	T.B.MS3220G	Ø10	T.B.MS3210G
Ø16	T.B.MS3216G	Ø8	T.B.MS3208G

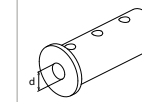
Ød	Code
Ø16	T.B.E3216K
Ø20	T.B.E3220K
Ø25	T.B.E3225K

VDI 40 Ø25-32-40

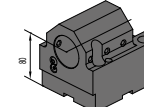
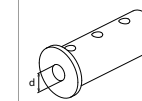
Code
 T.V40.BB25100K

Code
 T.V40.BB32100K

Code
 T.V40.BB40100K

GOODWAY / CMZ

Ød	Code	Ød	Code
Ø8	T.B.C2508K	Ø8	T.B.C4008K
Ø10	T.B.C2510K	Ø10	T.B.C4010K
Ø12	T.B.C2512K	Ø12	T.B.C4012K
Ø8	T.B.C3208K		
Ø10	T.B.C3210K		
Ø12	T.B.C3212K		
Ø16	T.B.D2516K	Ø8	T.B.D.4016K
Ø20	T.B.D2520K	Ø20	T.B.D.4020K
Ø16	T.B.D3216K	Ø25	T.B.D.4025K
Ø20	T.B.D3220K	Ø32	T.B.D.4032K
Ø25	T.B.D3225K		
Ø12	T.B.E2512K	Ø16	T.B.E3216K
Ø16	T.B.E2516K	Ø20	T.B.E3220K
Ø20	T.B.E2520K	Ø25	T.B.E3225K
		Ø16	T.B.E4016k
		Ø20	T.B.E4020k
		Ø25	T.B.E4025k
		Ø32	T.B.E4032k

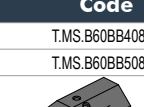
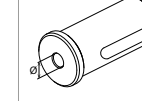
BMT 40 Ø32

Code
 T.MS.B40BBC32100RK


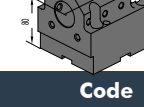
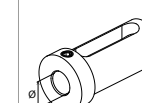
Ød	Code
Ø25	T.B.MS3225G
Ø20	T.B.MS3220G
Ø16	T.B.MS3216G
Ø12	T.B.MS3212G
Ø10	T.B.MS3210G
Ø8	T.B.MS3208G

BMT 60 Ø32-40-50

Code
 T.MS.B60BB4080K
 T.MS.B60BB5080K


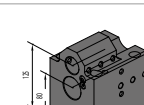
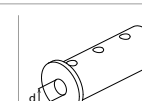
Ød	Code	Ød	Code
Ø32	T.B.MS3225G	Ø16	T.B.MS4016G
Ø25	T.B.MS3220G	Ø12	T.B.MS4012G
Ø20	T.B.MS3216G	Ø10	T.B.MS4010G
Ø16	T.B.MS3212G	Ø8	T.B.MS4008G


Code
 T.B.MS40.MT3
 T.B.MS40.MT2


Code	
T.B.MS40.MT3	
T.B.MS40.MT2	


Code
 T.MS.B60BB4080RK


Ød	Code	Ød	Code
Ø16	T.B.E4016k	Ø25	T.B.E5025k
Ø20	T.B.E4020k	Ø32	T.B.E5032k
Ø25	T.B.E4025k	Ø40	T.B.E5040k
Ø32	T.B.E4032k		


Code
 T.MS.B60BBD32K


Ød	Code	Ød	Code
Ø25	T.B.MS3225G	Ø12	T.B.MS3212G
Ø20	T.B.MS3220G	Ø10	T.B.MS3210G
Ø16	T.B.MS3216G	Ø8	T.B.MS3208G

Ød	Code
Ø16	T.B.E3216K
Ø20	T.B.E3220K
Ø25	T.B.E3225K

MODELLI DI TORNIO COMPATIBILI
COMPATIBLE LATHE TYPES

DMG-MORI

Vedi pagine compatibilità 6.4 / 6.5 - See compatibility pages 6.4 / 6.5

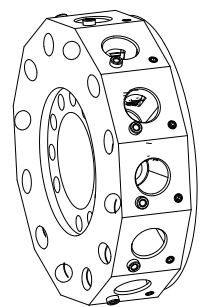
MODELLI DI TORNIO COMPATIBILI
COMPATIBLE LATHE TYPES

DMG-MORI

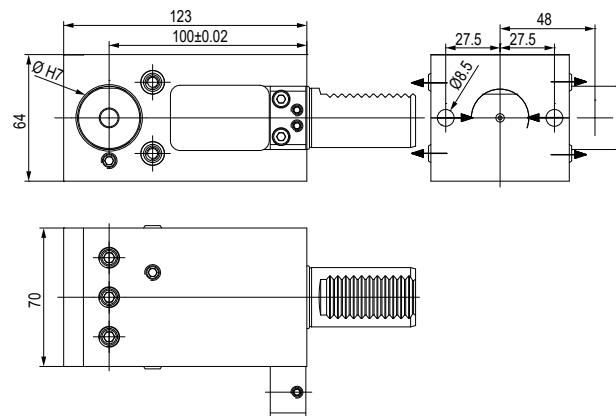
Vedi pagine compatibilità 6.4 / 6.5 - See compatibility pages 6.4 / 6.5

VDI
30

ATTACCO / COUPLING



TORRETA RADIALE
RADIAL TURRET



TIPO - TYPE

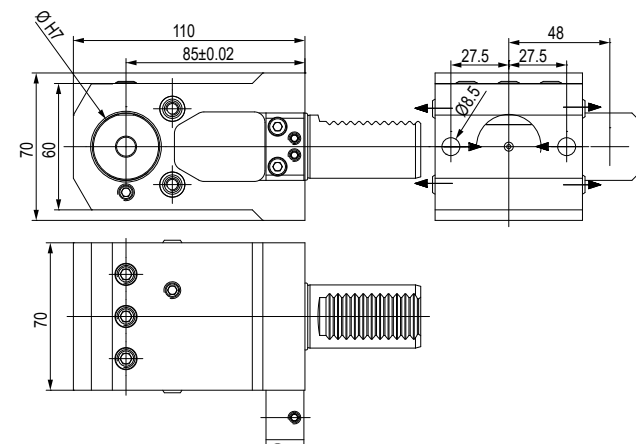
Portabareno
Boring bar cutting holder



REFRIGERANTE
COOLANT

Esterno
External

Code	Ø
T.V30.BB32100K	32



TIPO - TYPE

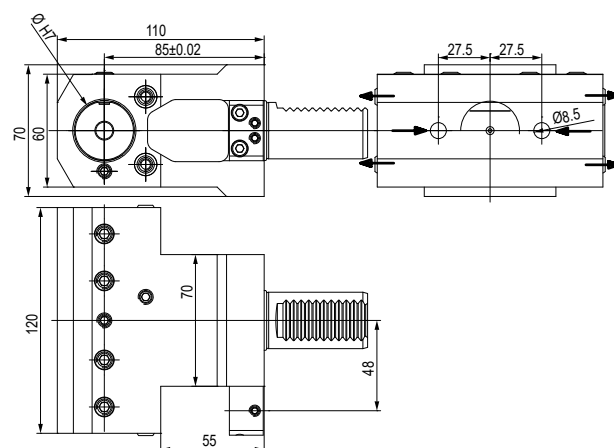
Portabareno
Boring bar cutting holder



REFRIGERANTE
COOLANT

Esterno
External

Code	Ø
T.V30.BB3285K	32



TIPO - TYPE

Portabareno
Boring bar cutting holder



REFRIGERANTE
COOLANT

Esterno
External

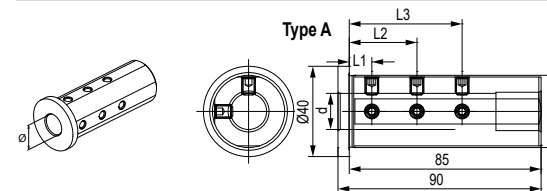
Code	Ø
T.V30.BBD3285K	32

VDI
30

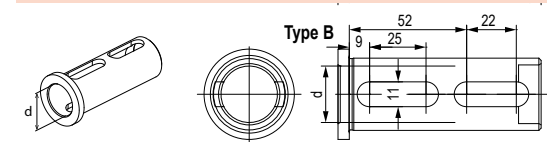
NEW
2021

BUSSOLE DI RIDUZIONE PER PORTABARENI BORING BAR HOLDER REDUCTION SLEEVES

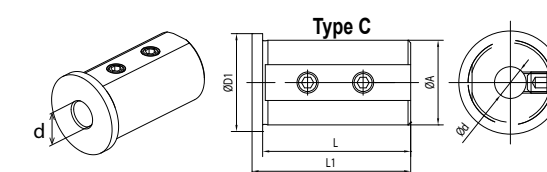
Bloccaggio con grani / Clamping with set-screws



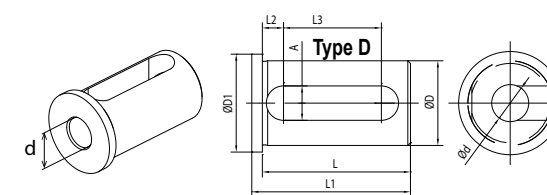
Bloccaggio con doppia asola / Clamping with double slot



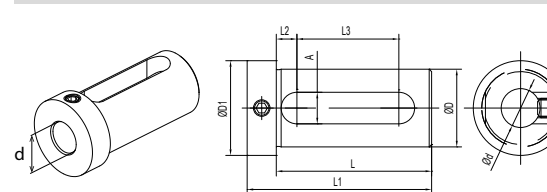
Bloccaggio con grani \ Clamping with set-screws



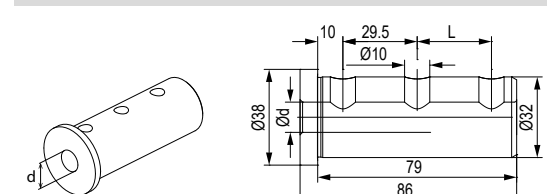
Bloccaggio con asola / Clamping with slot



Bloccaggio con asola e grano \ Clamping with slot and set-screw



Bloccaggio con grani \ Clamping with set-screws



Code	Ød	L1	L2	L3	Type
T.B.A3208G	8	8	35	-	A
T.B.A3210G	10	8	40	-	A
T.B.A3212G	12	8	40	-	A
T.B.A3216G	16	10	30	50	A
T.B.A3220G	20	10	30	50	A
T.B.B3225G	25	-	-	-	B

Code	ØD	Ød	L	L1	L2	L3	A	ØD1	Type
T.B.C3208K	32	8	56	60	-	-	-	37	C
T.B.C3210K	32	10	56	60	-	-	-	37	C
T.B.C3212K	32	12	56	60	-	-	-	37	C
T.B.D3216K	32	16	56	60	8	37	13	37	D
T.B.D3220K	32	20	56	60	8	37	13	37	D
T.B.D3225K	32	25	56	60	8	37	13	37	D

Code	ØD	Ød	L	L1	L2	L3	A	ØD1
T.B.E3216K	32	16	64	76	8,5	42	13	48
T.B.E3220K	32	20	64	76	8,5	42	13	48
T.B.E3225K	32	25	64	76	8,5	42	13	48

Code	Ød	L
T.B.MS3208G	8	-
T.B.MS3210G	10	-
T.B.MS3212G	12	29.5
T.B.MS3216G	16	29.5
T.B.MS3220G	20	29.5
T.B.MS3225G	25	29.5

MODELLI DI TORNIO COMPATIBILI
 COMPATIBLE LATHE TYPES

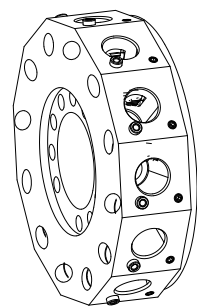
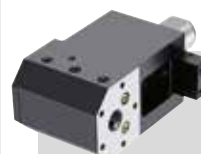
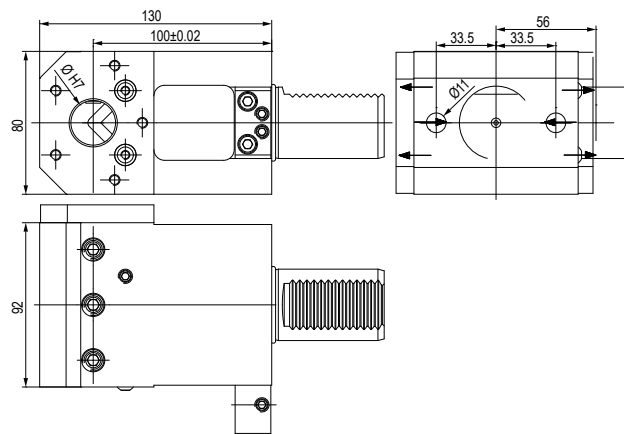
DMG-MORI

Vedi pagine compatibilità 6.4 / 6.5 - See compatibility pages 6.4 / 6.5

 MODELLI DI TORNIO COMPATIBILI
 COMPATIBLE LATHE TYPES

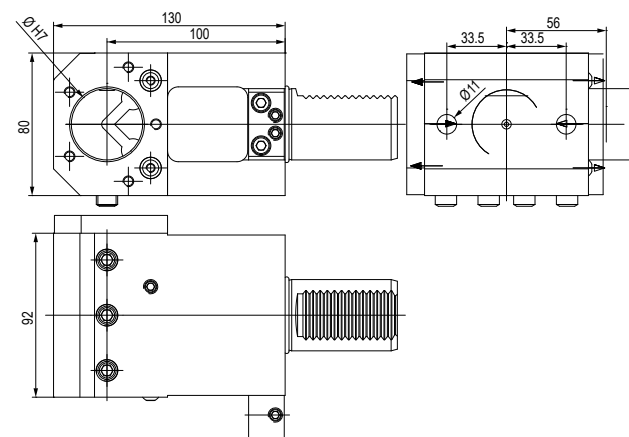
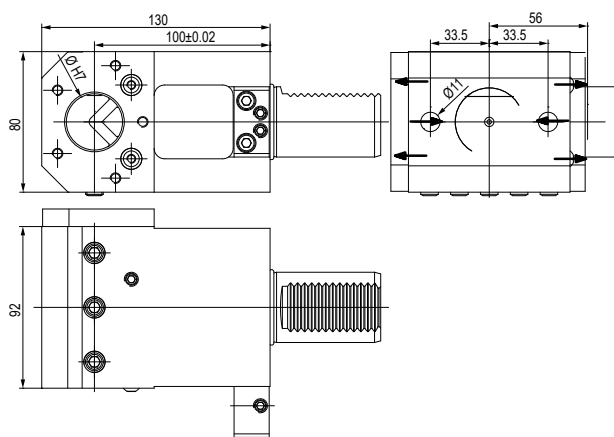
DMG-MORI

Vedi pagine compatibilità 6.4 / 6.5 - See compatibility pages 6.4 / 6.5

VDI 40
ATTACCO / COUPLING

TORRETA RADIALE
 RADIAL TURRET

 TIPO - TYPE
Portabareno
 Boring bar cutting holder

 REFRIGERANTE
 COOLANT
Esterno
 External

Code	Ø
T.V40.BB25100K	25

MODELLI DI TORNIO COMPATIBILI - COMPATIBLE LATHE TYPES
 - VDI 40: CTX410 V4/V6 - CTX420 V4/V6 - CTX Alpha 300 V4 - CTX Beta 500/800/1250 v4/v6 TWIN 42/65/102 RG2 - GMX 250/300/400/500 - SPRINT 65

 TIPO - TYPE
Portabareno
 Boring bar cutting holder

 REFRIGERANTE
 COOLANT
Esterno
 External

 TIPO - TYPE
Portabareno
 Boring bar cutting holder

 REFRIGERANTE
 COOLANT
Esterno
 External

Code	Ø
T.V40.BB32100K	32

Code	Ø
T.V40.BB40100K	40

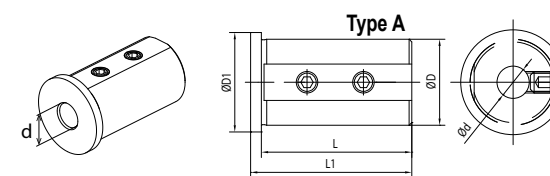
Code	Ø
T.V40.BB32100K	32

BUSSOLE DI RIDUZIONE PER PORTABARENI
BORING BAR HOLDER REDUCTION SLEEVES

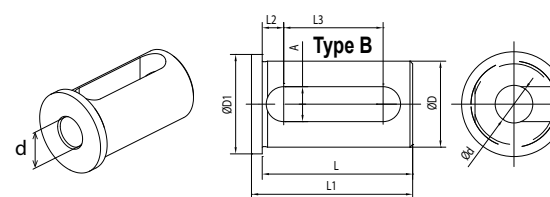
NEW 2021

VDI 40

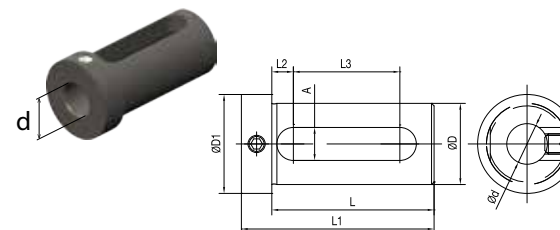
Bloccaggio con grani \ Clamping with set-screws



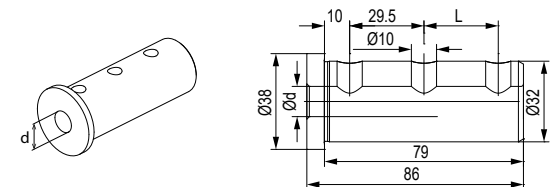
Bloccaggio con asola / Clamping with slot



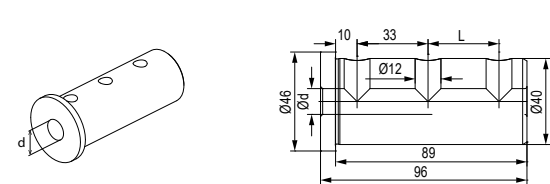
Bloccaggio con asola e grano \ Clamping with slot and set-screw



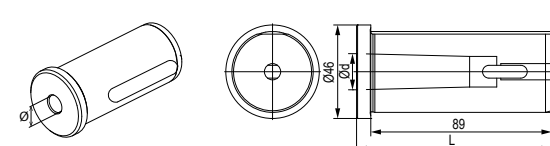
Bloccaggio con grani \ Clamping with set-screws



Bloccaggio con grani \ Clamping with set-screws



Bloccaggio con asola a finecorsa / Clamping with limit switch slot



Code	ØD	Ød	L	L1	L2	L3	A	ØD1	Type
T.B.E3216K	25	8	46	50	-	-	-	30	A
T.B.E3220K	25	10	46	50	-	-	-	30	A
T.B.E3225K	25	12	46	50	-	-	-	30	A
T.B.D2516K	25	16	46	50	8	27	13	30	B
T.B.D2520K	25	20	46	50	8	27	13	30	B
T.B.C3208K	32	8	56	60	-	-	-	37	A
T.B.C3210K	32	10	56	60	-	-	-	37	A
T.B.C3212K	32	12	56	60	-	-	-	37	A
T.B.D3216K	32	16	56	60	8	37	13	37	B
T.B.D3220K	32	20	56	60	8	37	13	37	B
T.B.D3225K	32	25	56	60	8	37	13	37	B
T.B.C4008K	40	8	71	75	-	-	-	45	A
T.B.C4010K	40	10	71	75	-	-	-	45	A
T.B.C4012K	40	12	71	75	-	-	-	45	A
T.B.D.4016K	40	16	71	75	8	52	13	45	B
T.B.D.4020K	40	20	71	75	8	52	13	45	B
T.B.D.4025K	40	25	71	75	8	52	13	45	B
T.B.D.4032K	40	32	71	75	8	52	13	45	B

Code	ØD	Ød	L	L1	L2	L3	A	ØD1
T.B.E2512K	25	12	55	67	8	32	13	33
T.B.E2516K	25	16	55	67	8	32	13	33
T.B.E2520K	25	20	55	67	8	32	13	39
T.B.E3216K	32	16	65	77	8	42	13	39
T.B.E3220K	32	20	65	77	8	42	13	39
T.B.E3225K	32	25	65	77	8	42	13	39
T.B.E4016K	40	16	75	89	9	51	14	48
T.B.E4020K	40	20	75	89	9	51	14	48
T.B.E4025K	40	25	75	89	9	51	14	48
T.B.E4032K	40	32	75	89	9	51	14	48

Code	Ød	L
T.B.MS3208G	8	-
T.B.MS3210G	10	-
T.B.MS3212G	12	29.5
T.B.MS3216G	16	29.5
T.B.MS3220G	20	29.5
T.B.MS3225G	25	29.5

Code	Ød	L
T.B.MS4008G	8	-
T.B.MS4010G	10	-
T.B.MS4012G	12	-
T.B.MS4016G	16	33
T.B.MS4020G	20	33
T.B.MS4025G	25	33
T.B.MS4032G	32	33

Code	Morse	Ød	H
T.B.MS40.MT2	2	17.78	108
T.B.MS40.MT3	3	23.825	108

MODELLI DI TORNIO COMPATIBILI
 COMPATIBLE LATHE TYPES

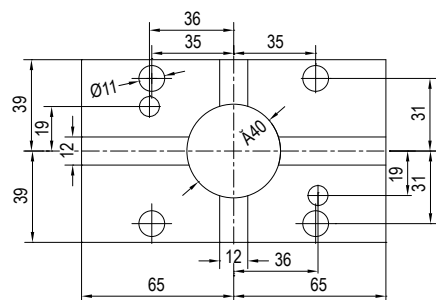
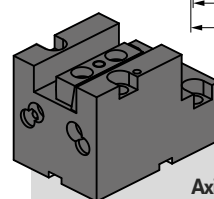
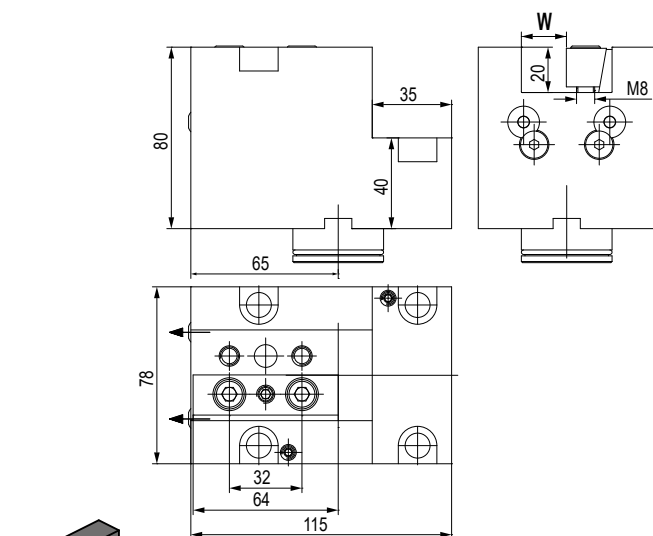
DMG-MORI

Vedi pagine compatibilità 6.4 / 6.5 - See compatibility pages 6.4 / 6.5

MODELLI DI TORNIO COMPATIBILI
 COMPATIBLE LATHE TYPES

DMG-MORI

Vedi pagine compatibilità 6.4 / 6.5 - See compatibility pages 6.4 / 6.5

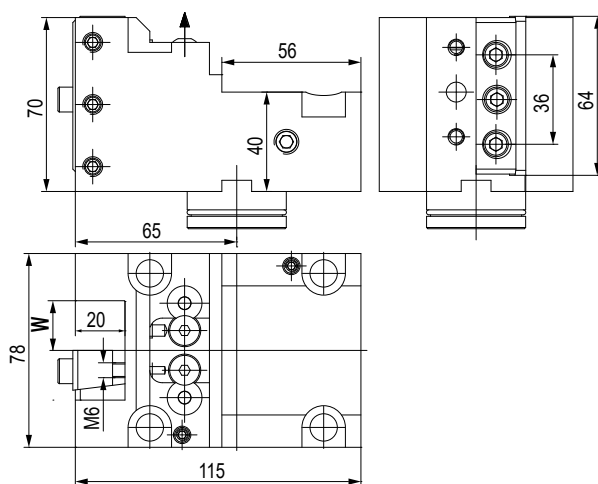
BMT 40
ATTACCO / COUPLING

MODELLI DI TORNIO COMPATIBILI - COMPATIBLE LATHE TYPES
- BMT40: DURATURN 2050, 2550 (MC) - NL/NLX 1500/2000/2500 20 STATIONS
 NT, NTX 1000, 2000 NRX 2000 - NT 3000 / 3100 / 3150 / 3200 - NZ/NTZ
 1000/2000/3000/3100/3150/3200 - NZ/NZX 1500/2000/2500 - LTX310ECO


TIPO - TYPE

Stelo quadro assiale
 Axial face and cutting holder

 REFRIGERANTE
 COOLANT
Esterno
 External

Code	W
T.MS.B40B12020K	20

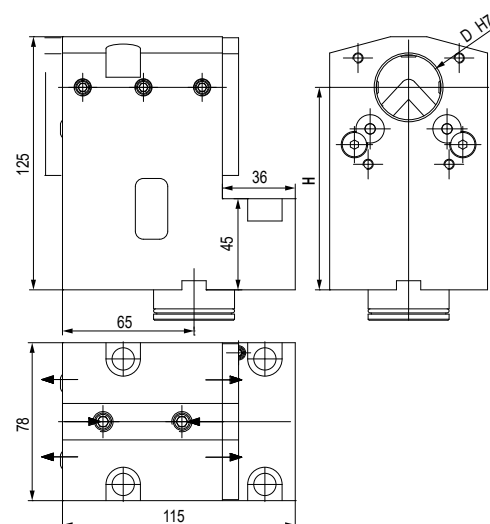


TIPO - TYPE

Stelo quadro radiale
 Radial face and cutting holder

 REFRIGERANTE
 COOLANT
Esterno
 External

Code	W
T.MS.B40C12020K	40

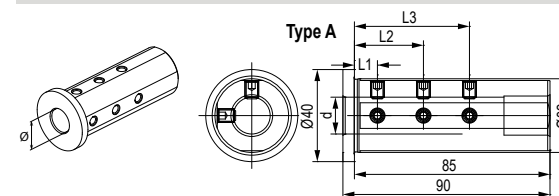
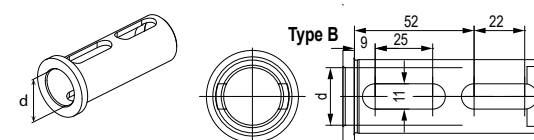
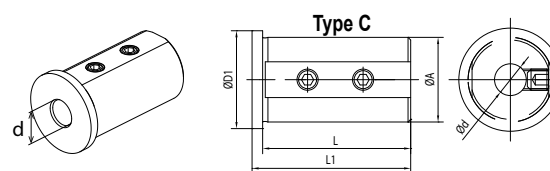
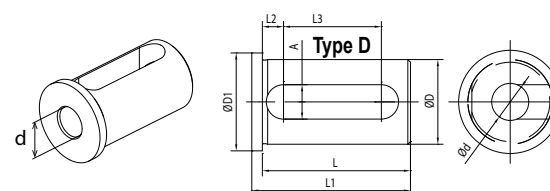
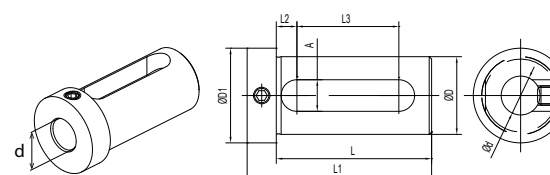
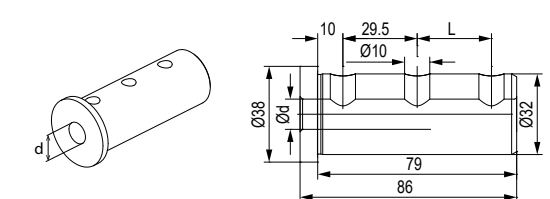


TIPO - TYPE

Portabareno
 Boring bar cutting holder

 REFRIGERANTE
 COOLANT
Esterno & Interno
 External & Internal

Code	Ø	H
T.MS.B40BBC32100RK	32	100

BMT 40
NEW 2021
BUSSOLE DI RIDUZIONE PER PORTABARENI
BORING BAR HOLDER REDUCTION SLEEVES
Bloccaggio con grani / Clamping with set-screws

Bloccaggio con doppia asola / Clamping with double slot

Bloccaggio con grani \ Clamping with set-screws

Bloccaggio con asola / Clamping with slot

Bloccaggio con asola e grano \ Clamping with slot and set-screw

Bloccaggio con grani \ Clamping with set-screws


Code	Ød	L1	L2	L3	Type
T.B.A3206G	6	-	-	-	A
T.B.A3208G	8	8	35	-	A
T.B.A3210G	10	8	40	-	A
T.B.A3212G	12	8	40	-	A
T.B.A3214G	14	-	-	-	A
T.B.A3216G	16	10	30	50	A
T.B.A3218G	18	-	-	-	A
T.B.A3220G	20	10	30	50	A
T.B.B3225G	25	-	-	-	B

Code	ØD	Ød	L	L1	L2	L3	A	ØD1	Type
T.B.C3208K	32	8	56	60	-	-	-	37	C
T.B.C3210K	32	10	56	60	-	-	-	37	C
T.B.C3212K	32	12	56	60	-	-	-	37	C
T.B.D3216K	32	16	56	60	8	37	13	37	D
T.B.D3220K	32	20	56	60	8	37	13	37	D
T.B.D3225K	32	25	56	60	8	37	13	37	D

Code	ØD	Ød	L	L1	L2	L3	A	ØD1
T.B.E3216K	32	16	64	76	8,5	42	13	48
T.B.E3220K	32	20	64	76	8,5	42	13	48
T.B.E3225K	32	25	64	76	8,5	42	13	48

Code	Ød	L
T.B.MS3208G	8	-
T.B.MS3210G	10	-
T.B.MS3212G	12	29.5
T.B.MS3216G	16	29.5
T.B.MS3220G	20	29.5
T.B.MS3225G	25	29.5

MODELLI DI TORNIO COMPATIBILI
 COMPATIBLE LATHE TYPES

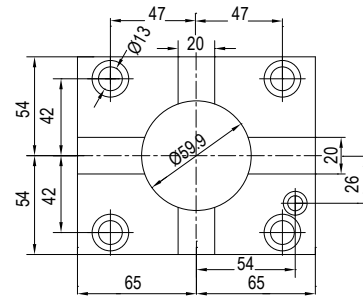
DMG-MORI GOODWAY

Vedi pagine compatibilità 6.4 / 6.5 - See compatibility pages 6.4 / 6.5

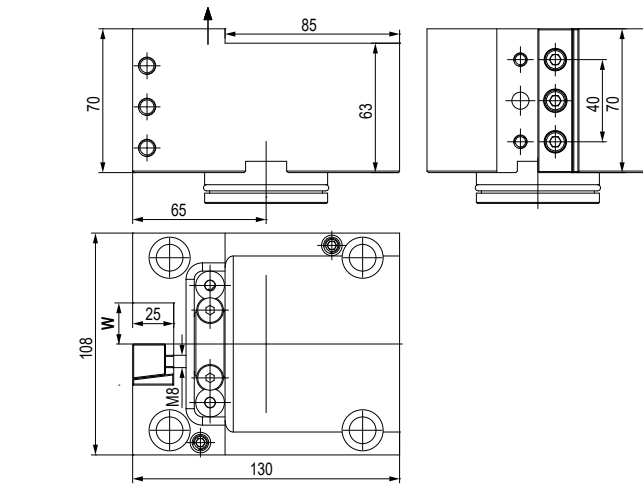
MODELLI DI TORNIO COMPATIBILI
 COMPATIBLE LATHE TYPES

DMG-MORI GOODWAY

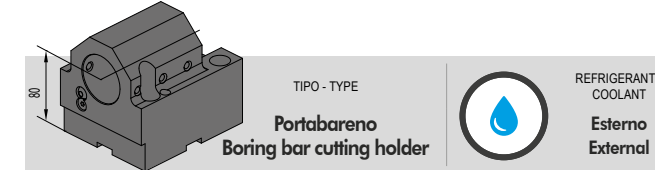
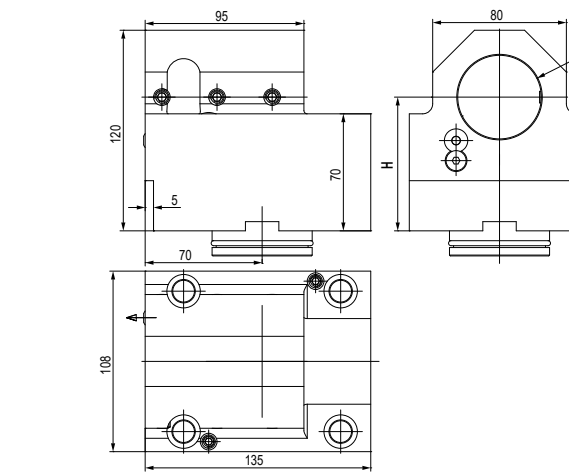
Vedi pagine compatibilità 6.4 / 6.5 - See compatibility pages 6.4 / 6.5

BMT 60
ATTACCO / COUPLING

MODELLI DI TORNIO COMPATIBILI - COMPATIBLE LATHE TYPES

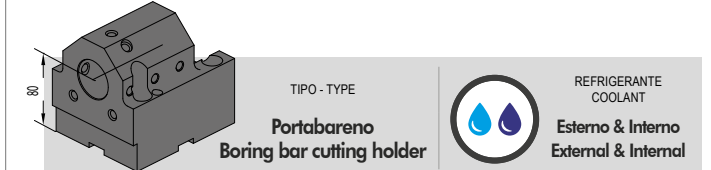
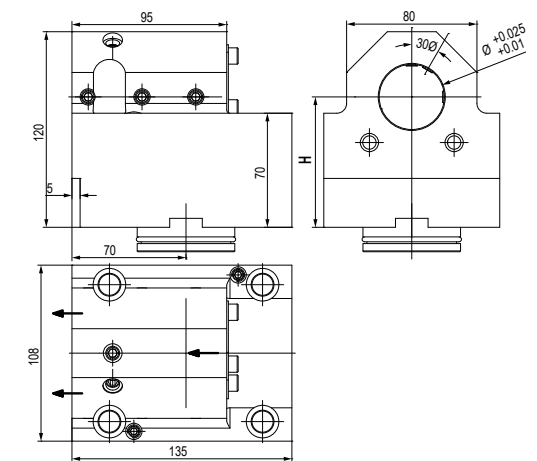
 - **DMG MORI BMT 60:** NLX1500 - 2000 - 2500 - 3000 - 4000 12 STATIONS - NL2000 (S) MC - 2500 (S) MC NL3000MC 12 STATIONS - NT3250 - 4200 - 4250 - 4300 - 5400 - 4000 - 5000 - NZL 2000/2500 - NZX 2500 12 STATIONS - NTX 2000 - 2500 - 3000 - 2ND GEN. 10 STATIONS - (TX2500 BMT60)

 - **GOODWAY BMT60:** G4/G5 200 - 2600/280 - 3000/3300 - 3600 - GS2000 - GS3000 - GS4000 SERIES


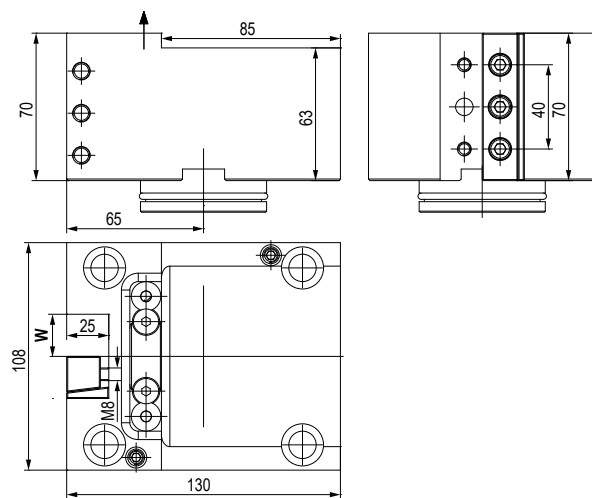
Code	W
T.MS.B60C1D2525K	25



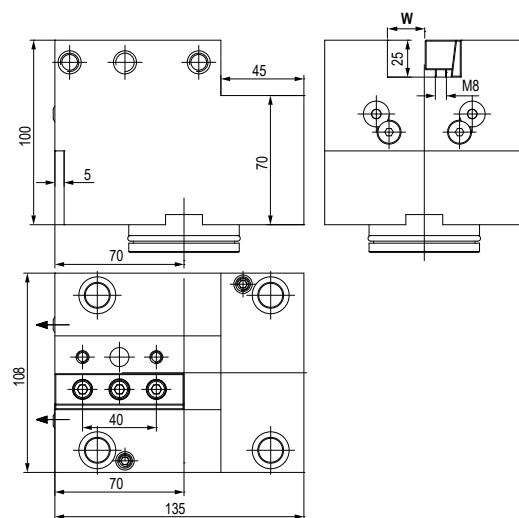
Code	Ø	H
T.MS.B60BB4080K	40	80 ±0,002
T.MS.B60BB5080K	50	80 ±0,002

BMT 60


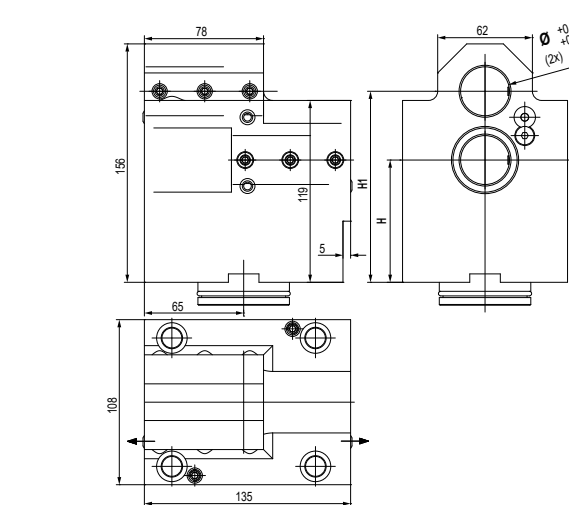
Code	Ø	H
T.MS.B60BB4080RK	40	80 ±0,002

6


Code	W
T.MS.B60C12525K	25



Code	W
T.MS.B60B12525K	25



Code	Ø	H	H1
T.MS.B60BBD32K	32	80 ±0,002	125 ±0,002

6

MODELLI DI TORNIO COMPATIBILI
 COMPATIBLE LATHE TYPES

DMG-MORI GOODWAY

Vedi pagine compatibilità 6.4 / 6.5 - See compatibility pages 6.4 / 6.5

 MODELLI DI TORNIO COMPATIBILI
 COMPATIBLE LATHE TYPES

DMG-MORI GOODWAY CMZ

Vedi pagine compatibilità 6.4 / 6.5 - See compatibility pages 6.4 / 6.5

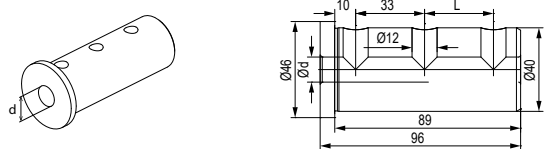
BMT
60

BUSSOLE DI RIDUZIONE PER PORTABARENI

BORING BAR HOLDER REDUCTION SLEEVES

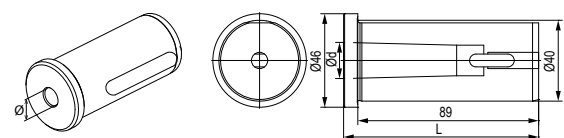
 NEW
 2021

Bloccaggio con grani \ Clamping with set-screws



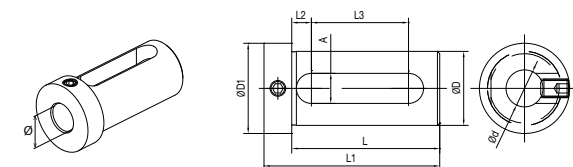
Code	Ød	L
T.B.MS4008G	8	-
T.B.MS4010G	10	-
T.B.MS4012G	12	-
T.B.MS4016G	16	33
T.B.MS4020G	20	33
T.B.MS4025G	25	33
T.B.MS4032G	32	33

Bloccaggio con asola a finecorsa / Clamping with limit switch slot



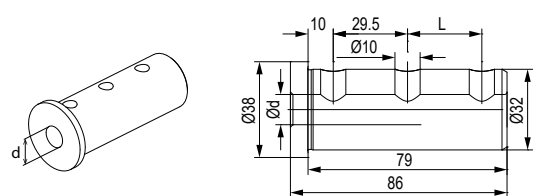
Code	Morse	Ød	H
T.B.MS40.MT2	2	17.78	108
T.B.MS40.MT3	3	23.825	108

Bloccaggio con asola e grano \ Clamping with slot and set-screw



Code	ØD	Ød	L	L1	L2	L3	A	ØD1
T.B.E4016k	40	16	74	88	9	51	14	48
T.B.E4020k	40	20	74	88	9	51	14	48
T.B.E4025k	40	25	74	88	9	51	14	48
T.B.E4032k	40	32	74	88	9	51	14	48
T.B.E5025k	50	25	84	98	9	61	14	59
T.B.E5032k	50	32	84	98	9	61	14	59
T.B.E5040k	50	40	84	98	9	61	14	59

Bloccaggio con grani \ Clamping with set-screws



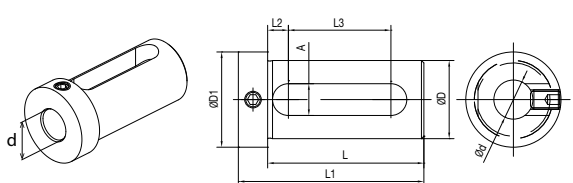
Code	Ød	L
T.B.MS3208G	8	-
T.B.MS3210G	10	-
T.B.MS3212G	12	29.5
T.B.MS3216G	16	29.5
T.B.MS3220G	20	29.5
T.B.MS3225G	25	29.5

BUSSOLE DI RIDUZIONE PER PORTABARENI DOPPI

DOUBLE BORING BAR HOLDER REDUCTION SLEEVES

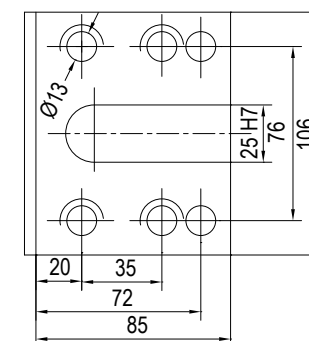
 NEW
 2021

Bloccaggio con asola e grano \ Clamping with slot and set-screw



Code	ØD	Ød	L	L1	L2	L3	A	ØD1
T.B.E3216K	32	16	64	76	8,5	42	13	39
T.B.E3220K	32	20	64	76	8,5	42	13	39
T.B.E3225K	32	25	64	76	8,5	42	13	39

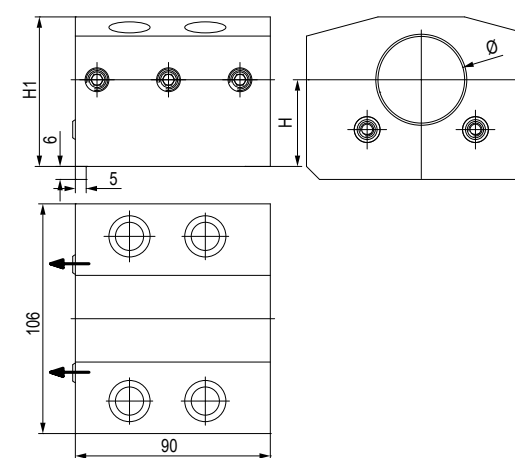
ATTACCO / COUPLING



MODELLI DI TORNIO COMPATIBILI - COMPATIBLE LATHE TYPES

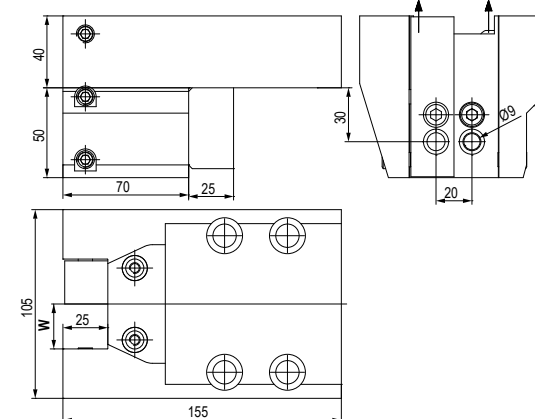
- DMG MORI BOLT-ON: CL200/203 - SL20/25 -
 SL200/203/204/250/253/254 (MC, SMC) - 2500Y - ZL200(MC) - ZL250(SMC)

- CMZ BOLT-ON:
 TBI520 - TL20/25 (M/TM/MS) - TC15/20/25/30/35 (M/Y/MS/YS) -
 TA15/20/25/30 (M/Y/MS/YS) - TD15/20/25/30/35/45/55 (M/Y/MS/YS)

- GOODWAY BOLT-ON:
 GS200/230/260/280 (M/MS) - GA2000/2600/2800/3000/3300/3600 (M)

 TIPO - TYPE
Portabareno
 Boring bar cutting holder

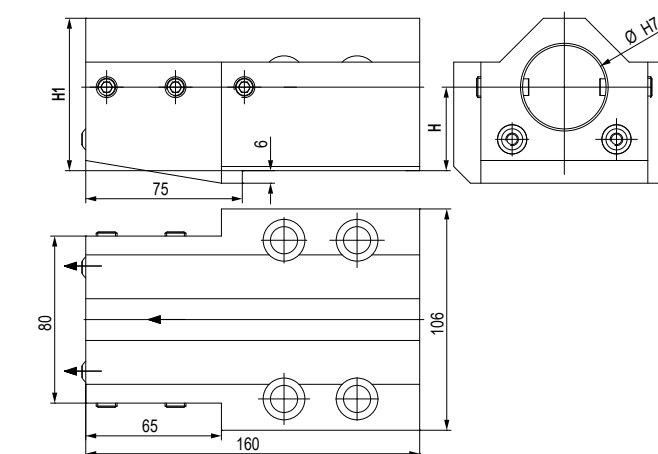
 REFRIGERANTE
 COOLANT
 Esterno
 External

Code	Ø	H	H1
T.MS.B00BB4040K	40	40 ±0,02	69
T.MS.B00BB5040K	50	40 ±0,02	74

BMT
BOLT
ON

 TIPO - TYPE
Stelo quadro radiale
 Radial face and cutting holder

 REFRIGERANTE
 COOLANT
 Esterno
 External

Code	W
T.MS.B00C12525LK1	25


 TIPO - TYPE
Portabareno
 Boring bar cutting holder

 REFRIGERANTE
 COOLANT
 Esterno
 External

Code	Ø	H	H1
T.MS.B00BB4040LK	40	40 ±0,02	73

MODELLI DI TORNIO COMPATIBILI
 COMPATIBLE LATHE TYPES

DMG-MORI

GOODWAY

CMZ

Vedi pagine compatibilità 6.4 / 6.5 - See compatibility pages 6.4 / 6.5

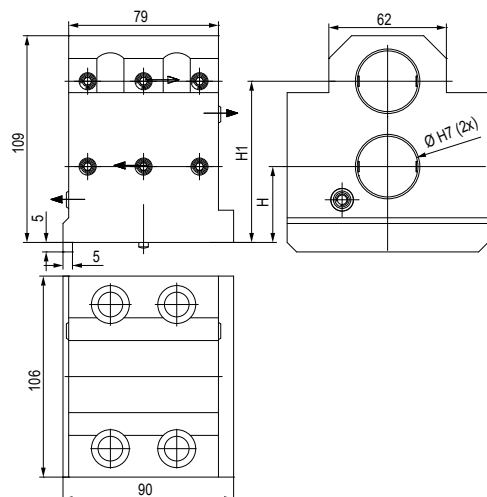
MODELLI DI TORNIO COMPATIBILI
 COMPATIBLE LATHE TYPES

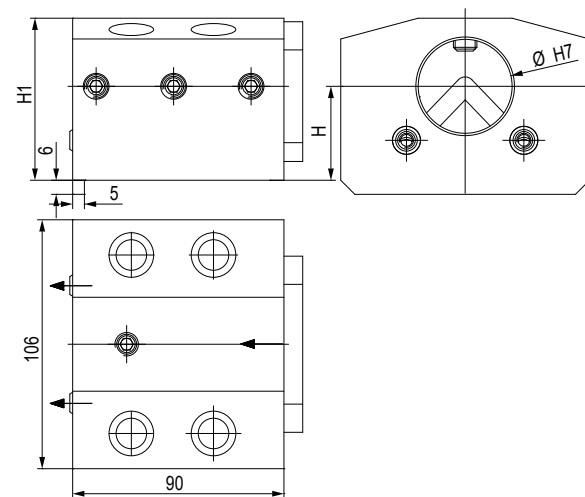
DMG-MORI

GOODWAY

CMZ

Vedi pagine compatibilità 6.4 / 6.5 - See compatibility pages 6.4 / 6.5

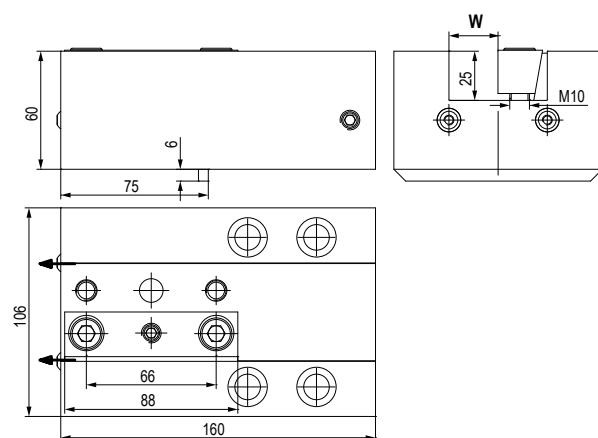
BMT
BOLT
ON

 TIPO - TYPE
Portabareno doppio
 Double boring bar holder

 REFRIGERANTE
 COOLANT
Esterno
 External

 TIPO - TYPE
Portabareno
 Boring bar cutting holder

 REFRIGERANTE
 COOLANT
Esterno & Interno
 External & Internal

Code	Ø
T.MS.B00BBD32K	32

Code	Ø	H	H1
T.MS.B00BBC4040RK	40	40 ±0,02	69

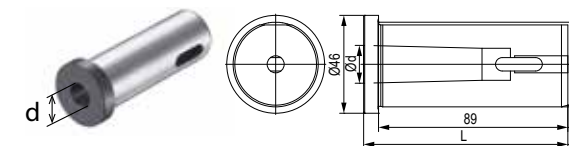
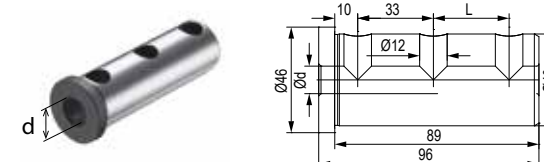
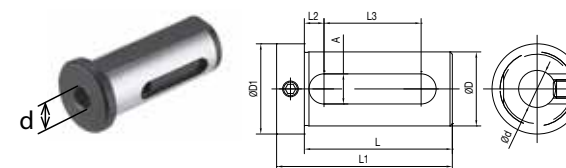
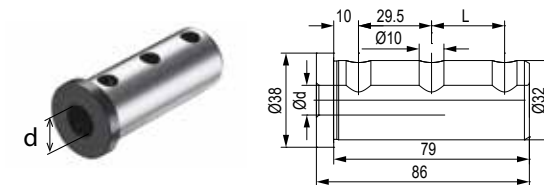

 TIPO - TYPE
Stelo quadro assiale
 Axial face and cutting holder

 REFRIGERANTE
 COOLANT
Esterno
 External

Code	W
T.MS.B00B12525LK	25

BUSSOLE DI RIDUZIONE PER PORTABARENI

BORING BAR HOLDER REDUCTION SLEEVES

NEW
2021
BMT
BOLT
ON
Bloccaggio con asola a finecorsa / Clamping with limit switch slot

Bloccaggio con grani \ Clamping with set-screws

Bloccaggio con grano \ Clamping with set-screw

Bloccaggio con grani \ Clamping with set-screws


Code	Morse	Ød	L
T.B.MS40.MT2	2	17.78	96
T.B.MS40.MT3	3	23.825	108

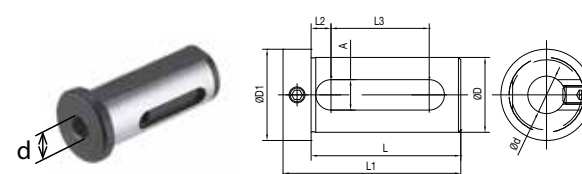
Code	Ød	L
T.B.MS4008K	8	-
T.B.MS4010K	10	-
T.B.MS4012K	12	-
T.B.MS4016K	16	33
T.B.MS4020K	20	33
T.B.MS4025K	25	33
T.B.MS4032K	32	33

Code	ØD	Ød	L	L1	L2	L3	A	ØD1
T.B.E4016k	40	16	74	88	9	51	14	48
T.B.E4020k	40	20	74	88	9	51	14	48
T.B.E4025k	40	25	74	88	9	51	14	48
T.B.E4032k	40	32	74	88	9	51	14	48
T.B.E5025k	50	25	84	98	9	61	14	59
T.B.E5032k	50	32	84	98	9	61	14	59
T.B.E5040k	50	40	84	98	9	61	14	59

Code	Ød	L
T.B.MS3208K	8	-
T.B.MS3210K	10	-
T.B.MS3212K	12	29.5
T.B.MS3216K	16	29.5
T.B.MS3220K	20	29.5
T.B.MS3225K	25	29.5

BUSSOLE DI RIDUZIONE PER PORTABARENI DOPPI

DOUBLE BORING BAR HOLDER REDUCTION SLEEVES

NEW
2021
6
Bloccaggio con asola \ Clamping with slot


Code	ØD	Ød	L	I1	I2	I3	A	ØD1
T.B.E3216K	32	16	64	76	8,5	42	13	39
T.B.E3220K	32	20	64	76	8,5	42	13	39
T.B.E3225K	32	25	64	76	8,5	42	13	39

MODELLI DI TORNIO COMPATIBILI
 COMPATIBLE LATHE TYPES

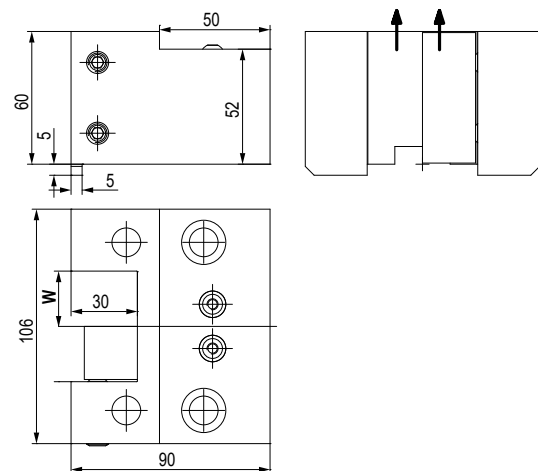
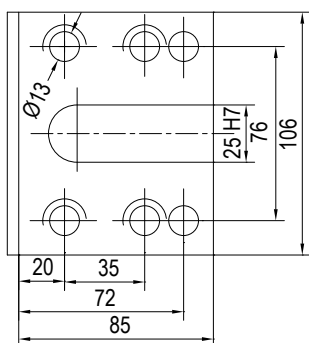
DMG-MORI **GOODWAY**

Vedi pagine compatibilità 6.4 / 6.5 - See compatibility pages 6.4 / 6.5

MODELLI DI TORNIO COMPATIBILI
 COMPATIBLE LATHE TYPES

DMG-MORI **GOODWAY**

Vedi pagine compatibilità 6.4 / 6.5 - See compatibility pages 6.4 / 6.5

BMT
BOLT
ON
ATTACCO / COUPLING

 TIPO - TYPE
Stelo quadro radiale
 Radial face and cutting holder

 REFRIGERANTE
 COOLANT
 Esterno
 External

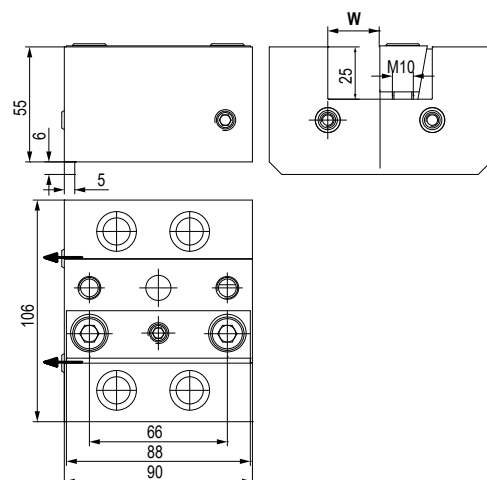
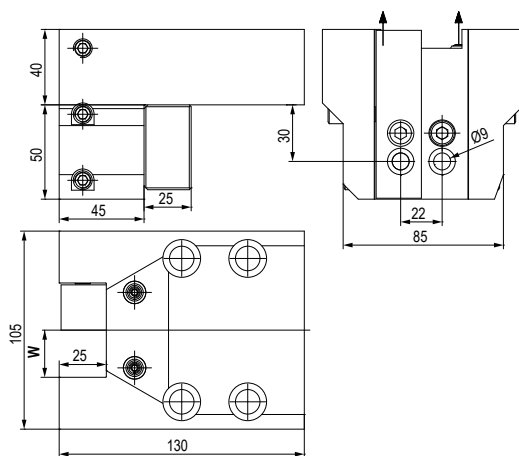
Code	W	
T.MS.B00C12525K	25	

MODELLI DI TORNIO COMPATIBILI - COMPATIBLE LATHE TYPES
- DMG MORI BOLT-ON:

CL200/203 - SL20/25 - SL200/203/204/250/253/254(MC,SDM)2500Y - ZL/DL200/250(MC)

- GOODWAY BOLT-ON:

GS200/260/280 - GA2000/2600/2800 - GA3000/3300/3600


 TIPO - TYPE
Stelo quadro assiale
 Axial face and cutting holder

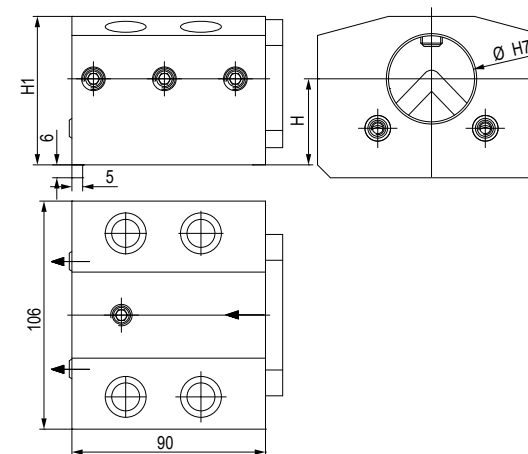
 REFRIGERANTE
 COOLANT
 Esterno
 External

Code	W	
T.MS.B00B12525K	25	

 TIPO - TYPE
Stelo quadro radiale
 Radial face and cutting holder

 REFRIGERANTE
 COOLANT
 Esterno
 External

Code	W	
T.MS.B00C12525LK2	25	


 TIPO - TYPE
Portabareno
 Boring bar cutting holder

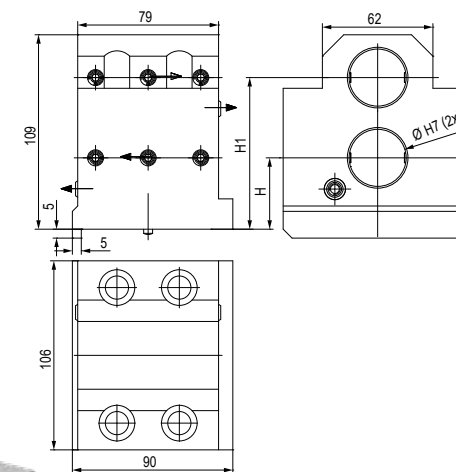
 REFRIGERANTE
 COOLANT
 Esterno & Interno
 External & Internal

Code	Ø	H	H1	
T.MS.B00BBC4040RK	40	40 ±0,02	69	


 TIPO - TYPE
Portabareno
 Boring bar cutting holder

 REFRIGERANTE
 COOLANT
 Esterno
 External

Code	Ø	H	H1	
T.MS.B00BB4040K	40	40 ±0,02	69	
T.MS.B00BB5040K	50	40 ±0,02	74	

BMT
BOLT
ON

 TIPO - TYPE
Portabareno doppio
 Double boring bar holder

 REFRIGERANTE
 COOLANT
 Esterno
 External

Code	Ø	H	H1	
T.MS.B00BBD32K	32	40 ±0,02	85 ±0,02	

6

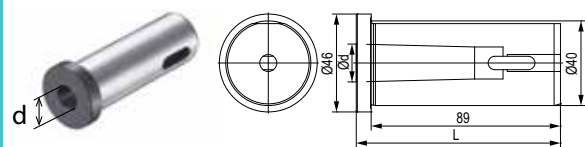
6

BUSSOLE DI RIDUZIONE PER PORTABARENI

BORING BAR HOLDER REDUCTION SLEEVES

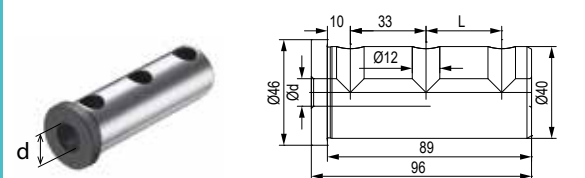
NEW
2021

Bloccaggio con asola a finecorsa / Clamping with limit switch slot



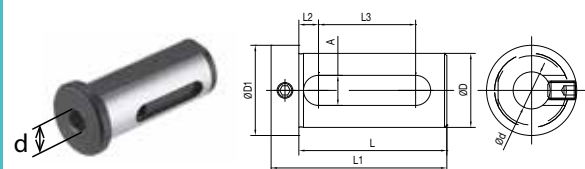
Code	Morse	Ød	L
T.B.MS40.MT2	2	17.78	96
T.B.MS40.MT3	3	23.825	108

Bloccaggio con grani \ Clamping with set-screws



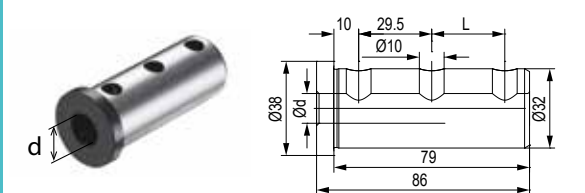
Code	Ød	L
T.B.MS4008K	8	-
T.B.MS4010K	10	-
T.B.MS4012K	12	-
T.B.MS4016K	16	33
T.B.MS4020K	20	33
T.B.MS4025K	25	33
T.B.MS4032K	32	33

Bloccaggio con grano \ Clamping with set-screw



Code	ØD	Ød	L	L1	L2	L3	A	ØD1
T.B.E4016k	40	16	74	88	9	51	14	48
T.B.E4020k	40	20	74	88	9	51	14	48
T.B.E4025k	40	25	74	88	9	51	14	48
T.B.E4032k	40	32	74	88	9	51	14	48
T.B.E5025k	50	25	84	98	9	61	14	59
T.B.E5032k	50	32	84	98	9	61	14	59
T.B.E5040k	50	40	84	98	9	61	14	59

Bloccaggio con grani \ Clamping with set-screws



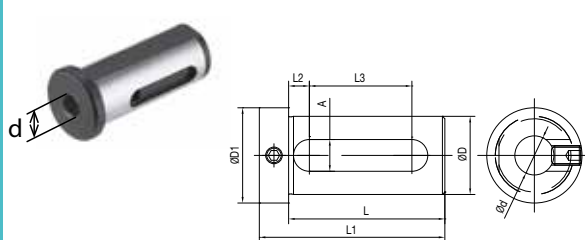
Code	Ød	L
T.B.MS3208K	8	-
T.B.MS3210K	10	-
T.B.MS3212K	12	29.5
T.B.MS3216K	16	29.5
T.B.MS3220K	20	29.5
T.B.MS3225K	25	29.5

BUSSOLE DI RIDUZIONE PER PORTABARENI

BORING BAR HOLDER REDUCTION SLEEVE

NEW
2021

Bloccaggio con asola \ Clamping with slot



Code	ØD	Ød	L	I1	I2	I3	A	ØD1
T.B.E3216K	32	16	64	76	8,5	42	13	39
T.B.E3220K	32	20	64	76	8,5	42	13	39
T.B.E3225K	32	25	64	76	8,5	42	13	39

BMT 65

Code

 T.BMT.65B12020H
 T.BMT.65B12525H

Code

 T.BMT.65C122020H
 T.BMT.65C12525H

Code

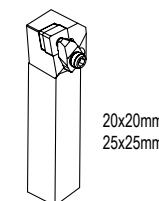
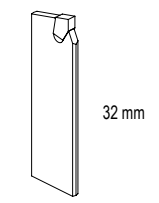
 T.BMT.65C1D2020H
 T.BMT.65C1D2525H

Code

T.BMT.65C2D2020H


Code

T.BMT.65H13200H


 20x20mm
 25x25mm


32 mm

BMT 65 Ø32-40-50

Code

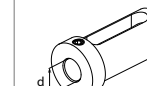
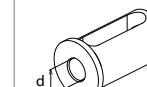
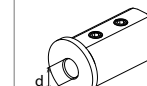
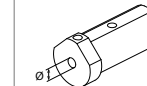
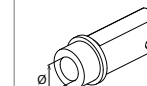
T.BMT.65BB4072H


Code

T.BMT.65BB50100H


Code

T.BMT.65BD32H



Ød	Code
-	T.B.L MT1
-	T.B.L MT2
-	T.B.L MT3

Ød	Code
Ø10	T.B.M4010G
Ø12	T.B.M4012G
Ø16	T.B.M4016G

Ød	Code
Ø8	T.B.C3208K
Ø10	T.B.C3210K
Ø12	T.B.C3212K

Ød	Code
Ø8	T.B.C4008K
Ø10	T.B.C4010K
Ø12	T.B.C4012K

Ød	Code
Ø16	T.B.D3216K
Ø20	T.B.D3220K
Ø25	T.B.D3225K

Ød	Code
Ø16	T.B.D.4016K
Ø20	T.B.D.4020K
Ø25	T.B.D.4025K
Ø32	T.B.D.4032K

Ød	Code
Ø16	T.B.E3216K
Ø20	T.B.E3220K
Ø25	T.B.E3225K

Ød	Code
Ø16	T.B.E4016k
Ø20	T.B.E4020k
Ø25	T.B.E4025k
Ø32	T.B.E4032k

Ød	Code
Ø25	T.B.E5025k
Ø32	T.B.E5032k
Ø40	T.B.E5040k

MODELLI DI TORNIO COMPATIBILI
COMPATIBLE LATHE TYPES

HAAS

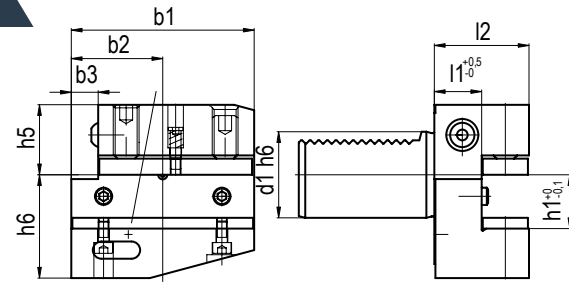
Vedi pagine compatibilità 6.4 / 6.5 - See compatibility pages 6.4 / 6.5

MODELLI DI TORNIO COMPATIBILI
COMPATIBLE LATHE TYPES

HAAS

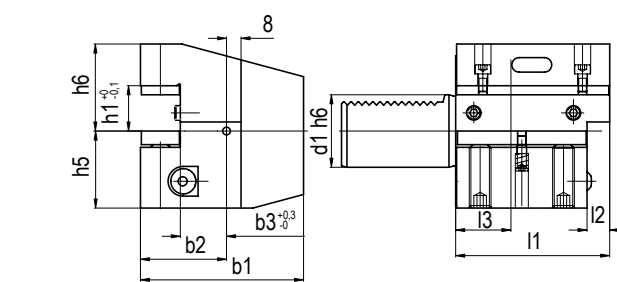
Vedi pagine compatibilità 6.4 / 6.5 - See compatibility pages 6.4 / 6.5

HAAS
DIN 69880



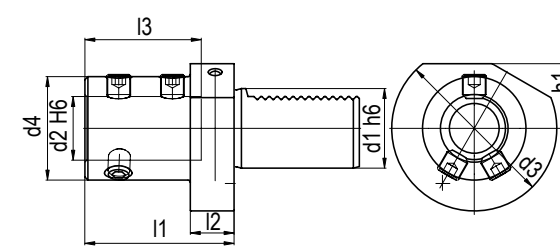
TIPO - TYPE **VDI B2**
Portautensile radiale sinistro
Left radial holder

REFRIGERANTE
COOLANT
Esterno
External



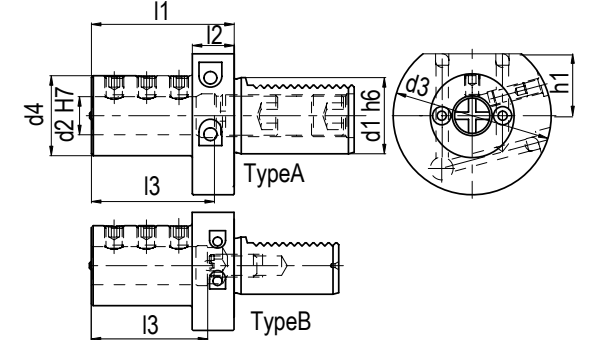
TIPO - TYPE **VDI C4**
Assiale rovesciato sinistro
SX upside-down axial holder

REFRIGERANTE
COOLANT
Esterno
External



TIPO - TYPE **VDI E1**
Per punte ad inserti
For indexable insert drill

REFRIGERANTE
COOLANT
Interno
Internal



TIPO - TYPE **VDI E2**
Portabareno
Boaring bar holder

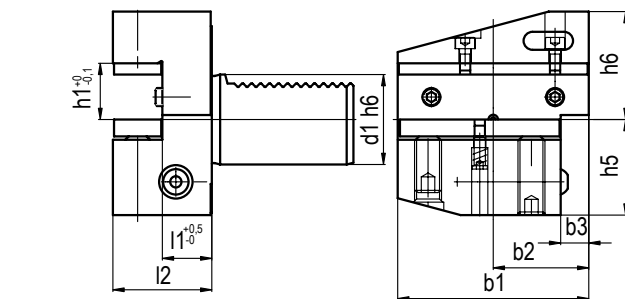
REFRIGERANTE
COOLANT
Esterno & Interno
External & Internal

Code	d1	b1	b2	b3	h1	h5	h6	l1	l2
T.B2-30x20x40	30	70	35	10	20/16	28	38	22	40
T.B2-40x25x44	40	85	42,5	12,5	25/20	32,5	48	22	44
T.B2-50x32x55	50	100	50	16	32/25	35	60	30	55
T.B2-60x32x60	60	125	62,5	16	32/25	42,5	62,5	30	60

Code	d1	b1	b2	b3	h1	h5	h6	l1	l2	l3
T.C4-30x20x70	30	70	35	17	20/16	28	38	70	10	30
T.C4-40x25x85	40	85	42,5	21	25/20	32,5	48	85	12,5	30
T.C4-50x32x100	50	100	50	26	32/25	35	60	100	16	40
T.C4-60x32x125	60	125	62,5	33	32/25	42,5	62,5	125	16	40

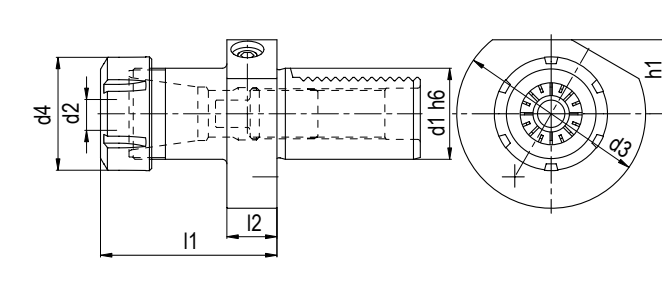
Code	d1	d2	d3	d4	h1	l1	l2	l3
T.E1-30x16	30	16	68	36	28	67	22	54
T.E1-30x20	30	20	68	40	28	67	22	54
T.E1-30x25	30	25	68	45	28	71	22	58
T.E1-30x32	30	32	68	52	28	75	22	61
T.E1-30x40	40	40	68	65	28	90	22	72
T.E1-40x16	40	16	83	36	32,5	67	22	54
T.E1-40x20	40	20	83	40	32,5	67	22	54
T.E1-40x25	40	25	83	45	32,5	75	22	59
T.E1-40x32	40	32	83	52	32,5	75	22	61
T.E1-40x40	40	40	83	65	32,5	90	22	73
T.E1-40x50	40	50	83	70	32,5	100	22	83
T.E1-50x16	50	16	98	36	35	80	30	54
T.E1-50x20	50	20	98	40	35	80	30	54
T.E1-50x25	50	25	98	45	35	80	30	59
T.E1-50x32	50	32	98	52	35	80	30	63
T.E1-50x40	50	40	98	65	35	90	30	73
T.E1-50x50	50	50	98	75	35	100	30	83
T.E1-60x20	60	20	123	40	42,5	80	30	54
T.E1-60x25	60	25	123	45	42,5	80	30	59
T.E1-60x32	60	32	123	52	42,5	80	30	63
T.E1-60x40	60	40	123	65	42,5	90	30	73
T.E1-60x50	60	50	123	75	42,5	100	30	83

Code	d1	d2	d3	d4	h1	l1	l2	l3	T
T.E2-30x06	30	6	68	55	28	60	22	43	A
T.E2-30x08	30	8	68	55	28	60	22	43	A
T.E2-30x10	30	10	68	55	28	60	22	43	A
T.E2-30x12	30	12	68	55	28	60	22	43	A
T.E2-30x16	30	16	68	55	28	60	22	55	A
T.E2-30x20	30	20	68	55	28	60	22	54	B
T.E2-30x25	30	25	68	55	28	60	22	61	B
T.E2-30x32	30	32	68	67	28	75	22	66	B
T.E2-30x40	30	40	68	67	28	75	22	43	B
T.E2-40x06	40	6	83	55	32,5	75	22	43	A
T.E2-40x08	40	8	83	55	32,5	75	22	43	A
T.E2-40x10	40	10	83	55	32,5	75	22	54	A
T.E2-40x12	40	12	83	55	32,5	75	22	58	A
T.E2-40x16	40	16	83	55	32,5	75	22	61	A
T.E2-40x20	40	20	83	55	32,5	75	22	61	A
T.E2-40x25	40	25	83	55	32,5	75	22	61	B
T.E2-40x30	40	30	83	82	32,5	75	22	61	B
T.E2-40x32	40	32	83	82	32,5	75	22	61	B
T.E2-40x40	40	40	83	82	32,5	90	22	76	B
T.E2-40x50	40	50	98	98	35	100	-	86	B
T.E2-50x12	50	12	98	68	35	90	30	71	A
T.E2-50x16	50	16	98	68	35	90	30	76	A
T.E2-50x20	50	20	98	68	35	90	30	76	A
T.E2-50x25	50	25	98	68	35	90	30	76	A
T.E2-50x32	50	32	98	69	35	90	30	76	B
T.E2-50x40	50	40	98	98	35	90	-	76	B
T.E2-50x50	50	50	98	98	35	100	-	86	B
T.E2-60x16	60	16	123	68	42,5	90	30	76	A
T.E2-60x20	60	20	123	68	42,5	90	30	76	A
T.E2-60x25	60	25	123	68	42,5	90	30	76	A
T.E2-60x32	60	32	123	68	42,5	90	30	76	A
T.E2-60x40	60	40	123	98	42,5	90	30	76	B
T.E2-60x50	60	50	123	98	42,5	100	30	86	B



TIPO - TYPE **VDI B4**
Radiale rovesciato Sinistro
SX upside-down radial holder

REFRIGERANTE
COOLANT
Esterno
External



TIPO - TYPE **VDI E4 - DIN6499**
Portapinzze ER
Collet chuck for ER collets

REFRIGERANTE
COOLANT
Esterno & Interno
External & Internal

Code	d1	b1	b2	b3	h1	h5	h6	l1	l2
T.B4-30x20x40	30	70	35	10	20/16	35	38	22	40
T.B4-40x25x44	40	85	42,5	12,5	25/20	42,5	48	22	44
T.B4-50x32x55	50	100	50	16	32/25	50	60	30	55
T.B4-60x32x60	60	125	62,5	16	32/25	62,5	62,5	30	60

Code	VDI	d1	d2	d3	d4	h1	l1	l2
T.E4-3016	VDI30 - ER16	30	1-10	68	32	28	48	22
T.E4-3025	VDI30 - ER25	30	2-16	68	42	28	57	22
T.E4-3032	VDI30 - ER32	30	2-20	68	50	28	78	22
T.E4-3040	VDI30 - ER40	30	3-30	68	63	28	80	22
T.E4-4025	VDI40 - ER25	40	2-16	83	42	32,5	57	22
T.E4-4032	VDI40 - ER32	40	2-20	83	50	32,5	78	22
T.E4-4040	VDI40 - ER40	40	3-30	83	63	32,5	80	22
T.E4-5032	VDI50 - ER32	50	2-20	98	50	35	92	30
T.E4-5040	VDI50 - ER40	50	3-30	98	63	35	80	30
T.E4-6032	VDI60 - ER32	60	2-20	123	50	42,5	78	30
T.E4-6040	VDI60 - ER40	60	3-30	123	63	42,5	80	30

Visualizza le bussole di riduzione relative ai portautensili statici VDI a pagina 6.18 / You can check our reduction sleeves for static tools atr page 6.18

Visualizza le bussole di riduzione relative ai portautensili statici VDI a pagina 6.18 / You can check our reduction sleeves for static tools atr page 6.18

MODELLI DI TORNIO COMPATIBILI
 COMPATIBLE LATHE TYPES

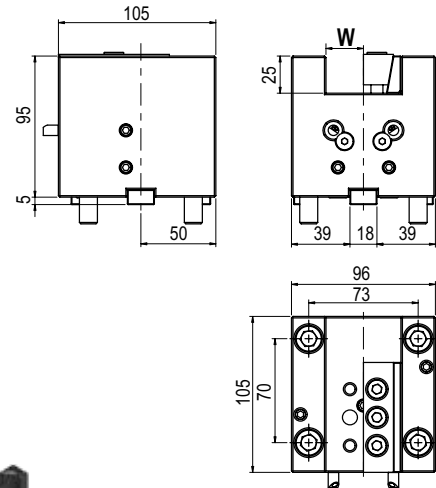
HAAS

Vedi pagine compatibilità 6.4 / 6.5 - See compatibility pages 6.4 / 6.5

MODELLI DI TORNIO COMPATIBILI
 COMPATIBLE LATHE TYPES

HAAS

Vedi pagine compatibilità 6.4 / 6.5 - See compatibility pages 6.4 / 6.5

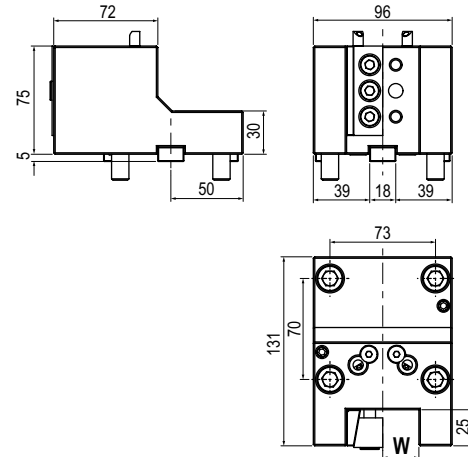
BMT 65


TIPO - TYPE

Stelo quadro assiale
 Axial face and cutting holder

 REFRIGERANTE
 COOLANT
Esterno
 External

Code	W	
T.BMT.65B12020H	20	
T.BMT.65B12525H	25	

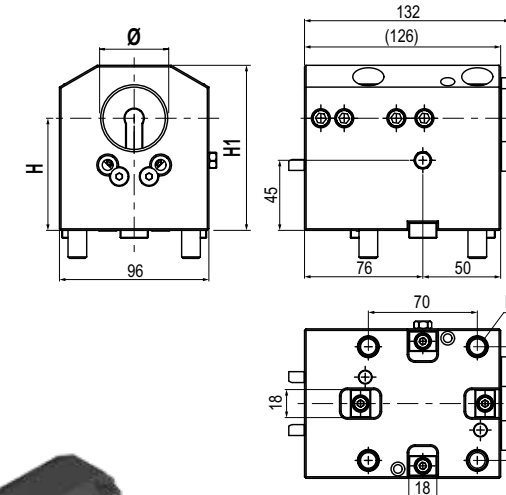


TIPO - TYPE

Stelo quadro radiale
 Radial face and cutting holder

 REFRIGERANTE
 COOLANT
Esterno
 External

Code	W	
T.BMT.65C122020H	20	
T.BMT.65C12525H	25	

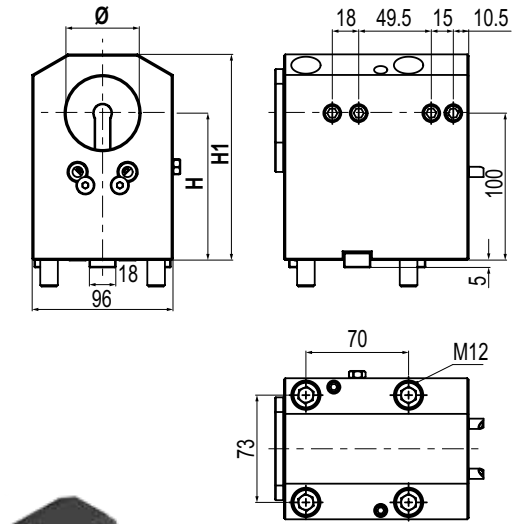
BMT 65


TIPO - TYPE

Portabareno
 Boring bar cutting holder

 REFRIGERANTE
 COOLANT
Esterno & Interno
 External & Internal

Code	Ø	H	
T.BMT.65BB4072H	40	72	

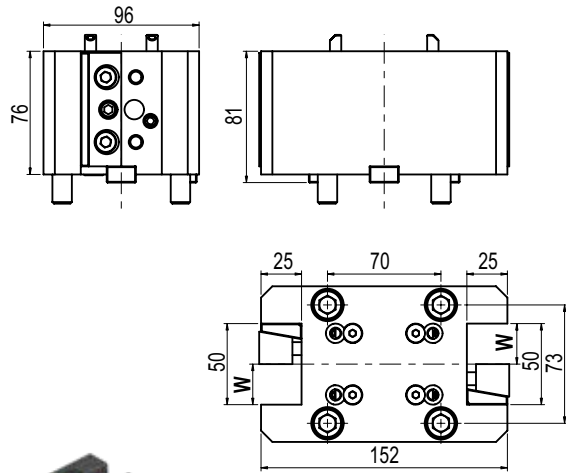


TIPO - TYPE

Portabareno
 Boring bar cutting holder

 REFRIGERANTE
 COOLANT
Esterno & Interno
 External & Internal

Code	Ø	H	
T.BMT.65BB50100H	50	100	

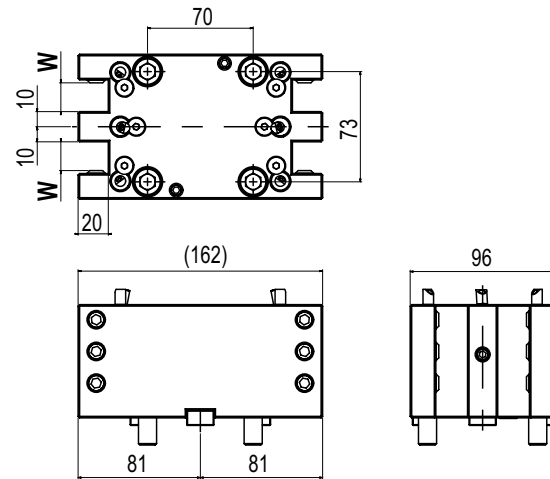


TIPO - TYPE

Stelo quadro rad. doppio
 2 RD face and cutting holder

 REFRIGERANTE
 COOLANT
Esterno
 External

Code	W	
T.BMT.65C1D2020H	20	
T.BMT.65C1D2525H	25	

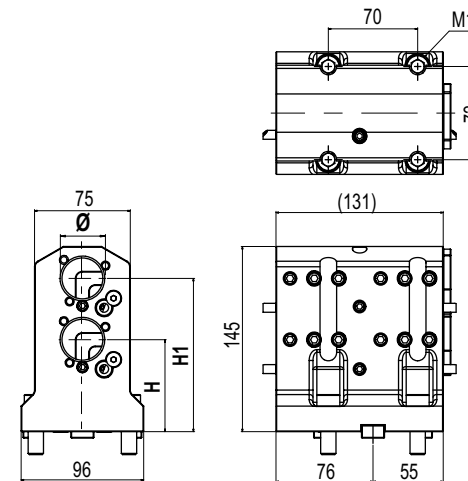


TIPO - TYPE

Stelo quadro rad. quadruplo
 4 RD face and cutting holder

 REFRIGERANTE
 COOLANT
Esterno
 External

Code	W	
T.BMT.65C2D2020H	20	

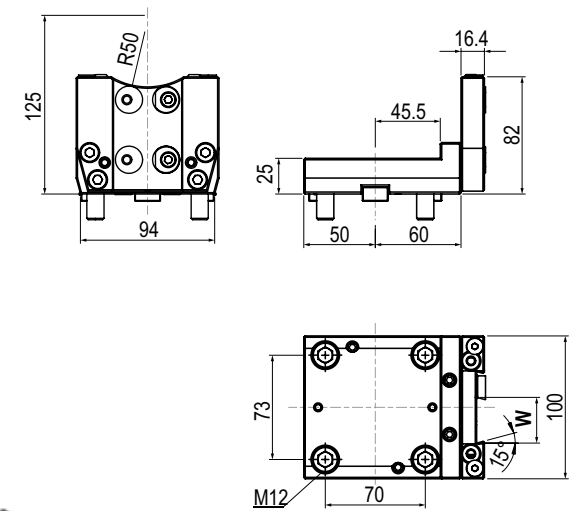


TIPO - TYPE

Portabareno doppio
 Double boring bar holder

 REFRIGERANTE
 COOLANT
Esterno & Interno
 External & Internal

Code	Ø	H	H1	
T.BMT.65BBD32H	32	72	120	



TIPO - TYPE

Porta Lama
 Cut off holder

 REFRIGERANTE
 COOLANT
Esterno
 External

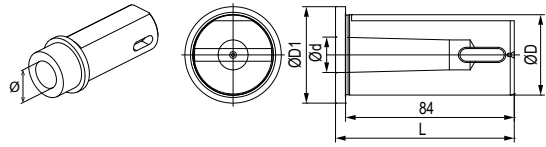
Code	W	
T.BMT.65H13200H	32	

6
6

BUSSOLE DI RIDUZIONE PER PORTABARENI
BORING BAR HOLDER REDUCTION SLEEVES

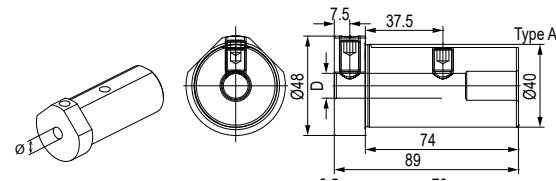
 NEW
 2021

Bloccaggio con asola \ Clamping with slot



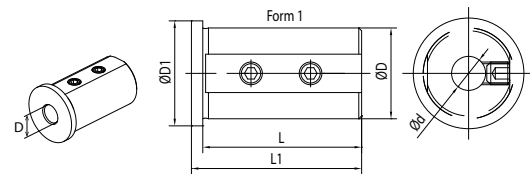
Code	Morse	ØD	Ød	ØD1	L
T.B.L.MT1	1	40	12,065	48	89
T.B.L.MT2	2	40	17,780	48	89
T.B.L.MT3	3	40	23,825	48	110

Bloccaggio con grano \ Clamping with set-screw



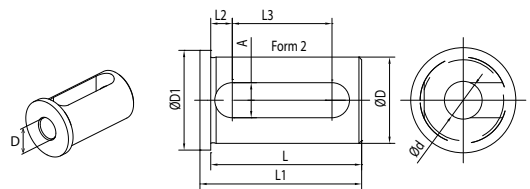
Code	Ød	Type
T.B.M4010G	10	M
T.B.M4012G	12	M
T.B.M4016G	16	M

Bloccaggio con grani \ Clamping with set-screws



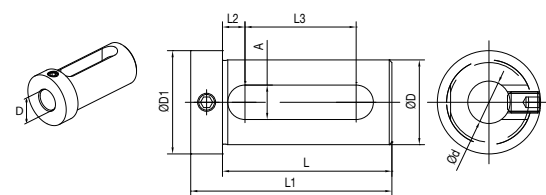
Code	ØD	Ød	L	L1	L2	L3	A	ØD1	Type
T.B.C3208K	32	8	56	60	-	-	-	37	C
T.B.C3210K	32	10	56	60	-	-	-	37	C
T.B.C3212K	32	12	56	60	-	-	-	37	C
T.B.C4008K	40	8	71	75	-	-	-	45	C
T.B.C4010K	40	10	71	75	-	-	-	45	C
T.B.C4012K	40	12	71	75	-	-	-	45	C

Bloccaggio con asola / Clamping with and slot



T.B.D3216K	32	16	56	60	8	37	13	37	D
T.B.D3220K	32	20	56	60	8	37	13	37	D
T.B.D3225K	32	25	56	60	8	37	13	37	D
T.B.D.4016K	40	16	71	75	8	52	13	45	D
T.B.D.4020K	40	20	71	75	8	52	13	45	D
T.B.D.4025K	40	25	71	75	8	52	13	45	D
T.B.D.4032K	40	32	71	75	8	52	13	45	D

Bloccaggio con asola e grano \ Clamping with slot and set-screw



Code	D	Ød	L	L1	L2	L3	A	D1
T.B.E3216K	32	16	64	76	8,5	42	13	39
T.B.E3220K	32	20	64	76	8,5	42	13	39
T.B.E3225K	32	25	64	76	8,5	42	13	39
T.B.E4016k	40	16	74	88	9	51	14	48
T.B.E4020k	40	20	74	88	9	51	14	48
T.B.E4025k	40	25	74	88	9	51	14	48
T.B.E4032k	40	32	74	88	9	51	14	48
T.B.E5025k	50	25	84	98	9	61	14	59
T.B.E5032k	50	32	84	98	9	61	14	59
T.B.E5040k	50	40	84	98	9	61	14	59

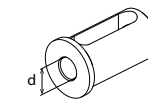
BMT - VDI 40/50 - BMT 68
BMT - QTN1 Ø32

Code

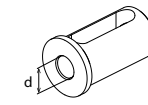
T.53108000400


Code

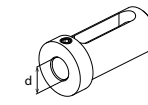
T.53108000500



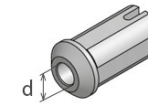
Ød	Code
Ø8	T.B.C3208K
Ø10	T.B.C3210K
Ø12	T.B.C3212K



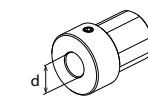
Ød	Code
Ø16	T.B.D3216K
Ø20	T.B.D3220K
Ø25	T.B.D3225K



Ød	Code
Ø16	T.B.E3216K
Ø20	T.B.E3220K
Ø25	T.B.E3225K



Ød	Code
Ø12,065	T.B.MZ.MT1
Ø17,78	T.B.MZ.MT2



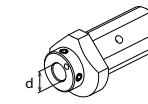
Ød	Code
Ø20	T.B.MZ3220G
Ø25	T.B.MZ3225G

BMT - QTN2 Ø40

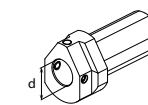
Code

T.53108000400

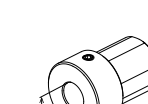

Code

 T.53208000100
 T.53108000500


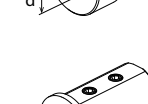
Ød	Code
Ø8	*53178010700
Ø10	*53178010600
Ø12	*53178010500
Ø16	*53178010400
Ø20	*53178010300



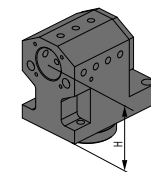
Ød	Code
Ø25	*53178010200
Ø32	*53178010100



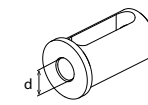
Ød	Code
Ø20	*53208001000
Ø25	*53208001100
Ø32	*53208001200



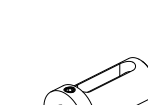
Ød	Code
Ø8	T.B.C4008K
Ø10	T.B.C4010K
Ø12	T.B.C4012K

BMT 68 Ø40

Code

137-00277



Ød	Code
Ø16	T.B.D.4016K
Ø20	T.B.D.4020K
Ø25	T.B.D.4025K
Ø32	T.B.D.4032K



Ød	Code
Ø16	T.B.E4016k
Ø20	T.B.E4020k
Ø25	T.B.E4025k
Ø32	T.B.E4032k

VDI 40

Code

 T.53538000201
 T.53518000201

Code

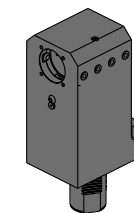
T.53638000400


Code

T.53208005100


Code

T.53208005100

VDI 50

Code

T.53308000201

Ød	Code
Ø8	*53178010700
Ø10	*53178010600
Ø12	*53178010500
Ø16	*53178010400
Ø20	*53178010300

Ød	Code
Ø25	*53178010200
Ø32	*53178010100

Ød	Code
Ø20	*53208001000
Ø25	*53208001100
Ø32	*53208001200
Ø20	T.B.MZ3220G
Ø25	T.B.MZ3225G

Ød	Code
Ø8	T.B.C4008K
Ø10	T.B.C4010K
Ø12	T.B.C4012K

Ød	Code
Ø16	T.B.D.4016K
Ø20	T.B.D.4020K
Ø25	T.B.D.4025K
Ø32	T.B.D.4032K

Ød	Code
Ø16	T.B.E4016k
Ø20	T.B.E4020k
Ø25	T.B.E4025k
Ø32	T.B.E4032k

Ød	Code
Ø12,065	T.B.MZ.MT1
Ø17,78	T.B.MZ.MT2

MODELLI DI TORNIO COMPATIBILI
COMPATIBLE LATHE TYPES

MAZAK

Vedi pagine compatibilità 6.4 / 6.5 - See compatibility pages 6.4 / 6.5

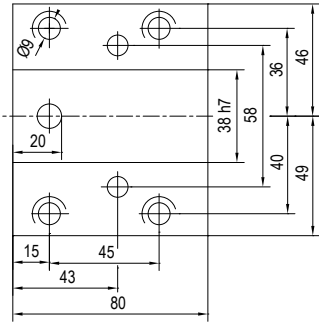
MODELLI DI TORNIO COMPATIBILI
COMPATIBLE LATHE TYPES

MAZAK

Vedi pagine compatibilità 6.4 / 6.5 - See compatibility pages 6.4 / 6.5

BMT
QTN1

ATTACCO / COUPLING

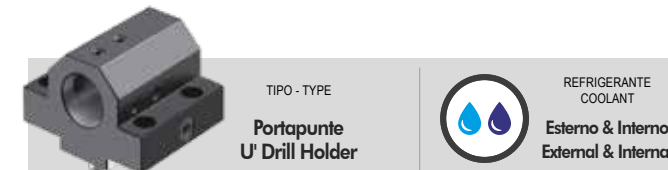
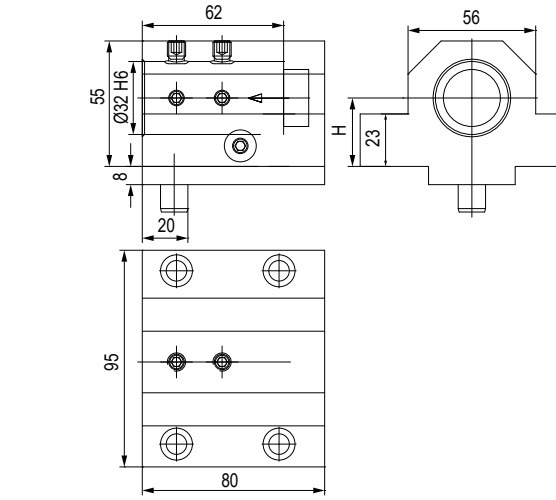


MODELLI DI TORNIO COMPATIBILI - COMPATIBLE LATHE TYPES

- MAZAK NEXUS:
QT NEXUS 100 (M/MS/MY/MSY)

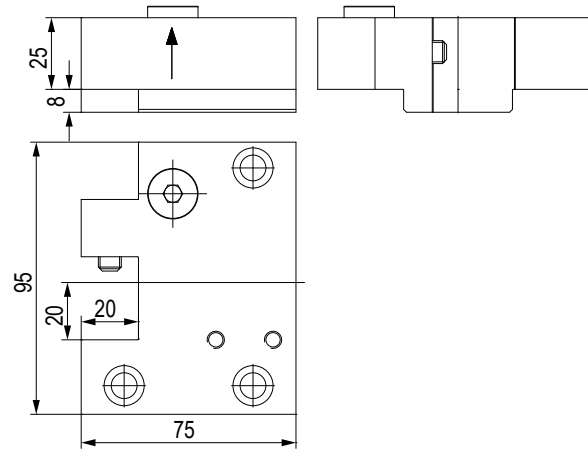


Code	W	Orientation	
T.53108000101	20	FWD	

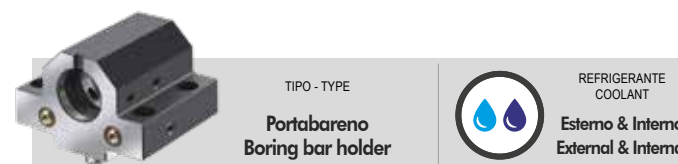
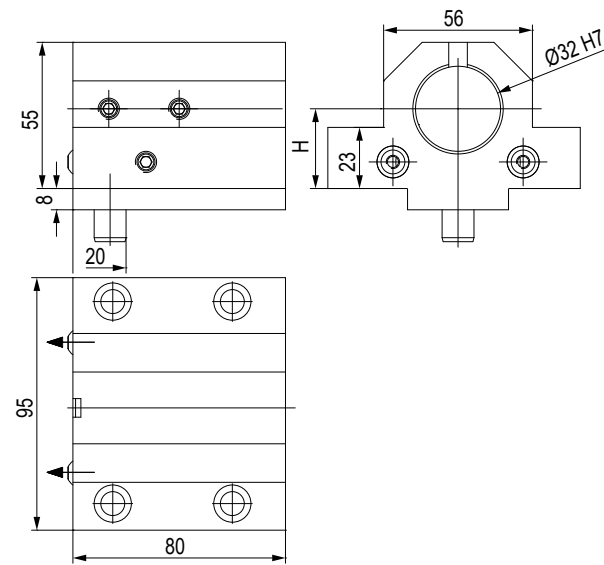


Code	Ø	H	
T.53108000500	32	30 ±0,02	

6



Code	W	Orientation	
T.53108000201	20	RVD	



Code	Ø	H	
T.53108000400	32	30 ±0,02	

BMT
QTN1

6

MODELLI DI TORNIO COMPATIBILI
 COMPATIBLE LATHE TYPES

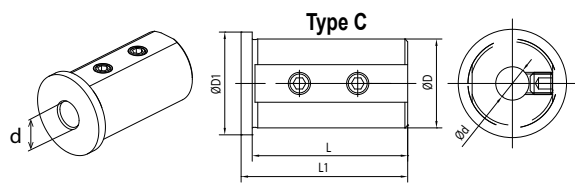
MAZAK

Vedi pagine compatibilità 6.4 / 6.5 - See compatibility pages 6.4 / 6.5

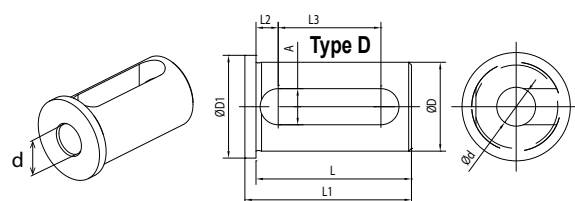
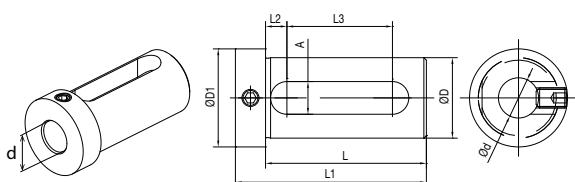
BMT
QTN1

BUSSOLE DI RIDUZIONE PER PORTABARENI

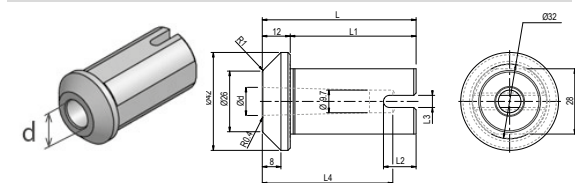
BORING BAR HOLDER REDUCTION SLEEVES

NEW
2021
Bloccaggio con grano / Clamping with set-screw


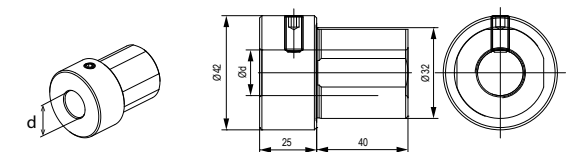
Code	Ød	L	L1	L2	L3	A	Type	ØD1
T.B.C3208K	8	56	60	-	-	-	C	37
T.B.C3210K	10	56	60	-	-	-	C	37
T.B.C3212K	12	56	60	-	-	-	C	37
T.B.D3216K	16	2	56	60	8	37	D	13
T.B.D3220K	20	2	56	60	8	37	D	13
T.B.D3225K	25	2	56	60	8	37	D	13

Bloccaggio con asola / Clamping with slot

Bloccaggio con asola e grano / Clamping with slot and set-screw


Code	Ød	L	L1	L2	L3	A	ØD1
T.B.E3216K	16	64	76	8,5	42	13	39
T.B.E3220K	20	64	76	8,5	42	13	39
T.B.E3225K	25	64	76	8,5	42	13	39

Bloccaggio con asola / Clamping with slot


Code	Ød	L	L1	L2	L3	L4	A
T.B.MZ.MT1	12,065	66	54	14	47	56	9,7
T.B.MZ.MT2	17,78	54	58	10	58	67	14,9

Bloccaggio con grano / Clamping with set-screw


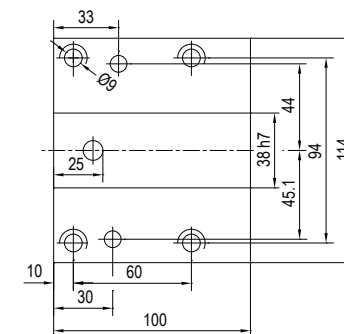
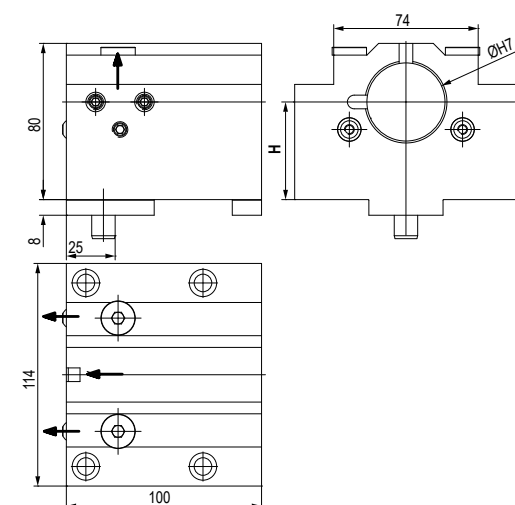
Code	Ød
T.B.MZ3220K	20
T.B.MZ3225K	25

MODELLI DI TORNIO COMPATIBILI
 COMPATIBLE LATHE TYPES

MAZAK

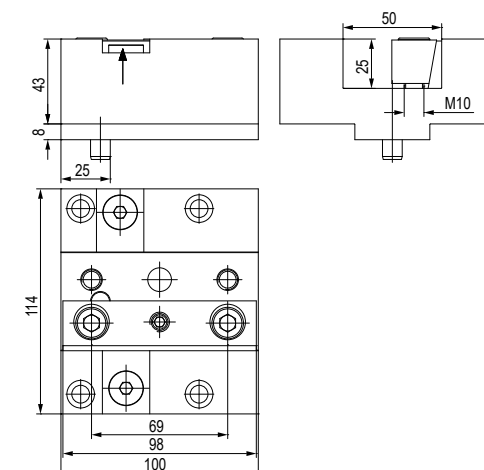
Vedi pagine compatibilità 6.4 / 6.5 - See compatibility pages 6.4 / 6.5

ATTACCO / COUPLING


MODELLI DI TORNIO COMPATIBILI - COMPATIBLE LATHE TYPES
- MAZAK NEXUS:
 QT NEXUS 200/250 (M/MS/MY/MSY)

 TIPO - TYPE
Portabareno
 Boring bar holder

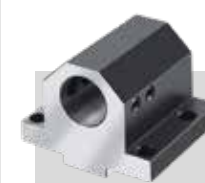
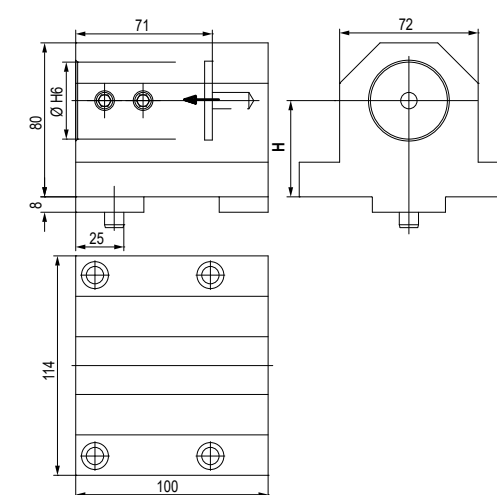
 REFRIGERANTE
 COOLANT
Esterno & Interno
 External & Internal

Code	Ø	H
T.53378000304	40	50 ±0,02

BMT
QTN2

 TIPO - TYPE
Portautensile a sfacciare
 Turning tool holder rev

 REFRIGERANTE
 COOLANT
Esterno
 External

Code	W
T.53208000300	25


 TIPO - TYPE
Portabareno
 Boring bar holder

 REFRIGERANTE
 COOLANT
Interno
 Internal

Code	Ø	H
T.53208000100	40	50 ±0,02

MODELLI DI TORNIO COMPATIBILI
 COMPATIBLE LATHE TYPES

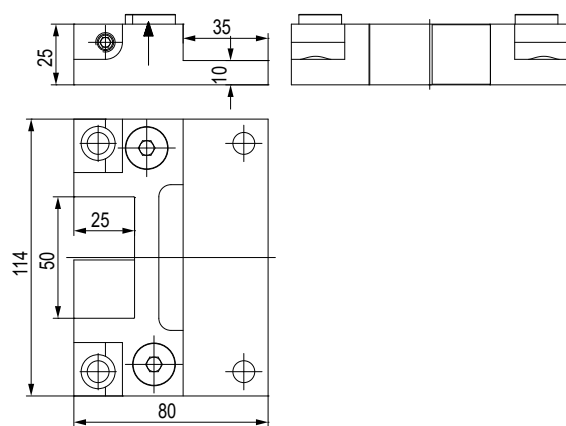
MAZAK

Vedi pagine compatibilità 6.4 / 6.5 - See compatibility pages 6.4 / 6.5

MODELLI DI TORNIO COMPATIBILI
 COMPATIBLE LATHE TYPES

MAZAK

Vedi pagine compatibilità 6.4 / 6.5 - See compatibility pages 6.4 / 6.5

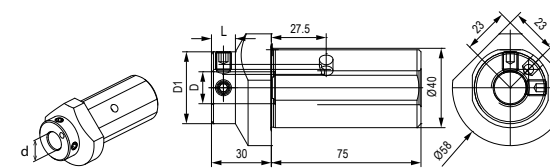
BMT
QTN2

 TIPO - TYPE
Arretrato Quadro
 Turning Tool Holder

 REFRIGERANTE
 COOLANT
Esterno
 External

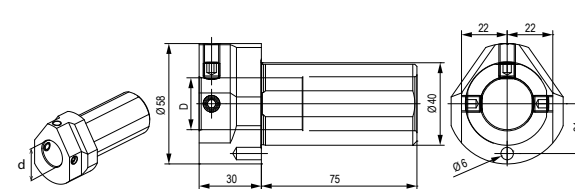
Code	W
T.53208000400	25

BUSSOLE DI RIDUZIONE PER PORTABARENI

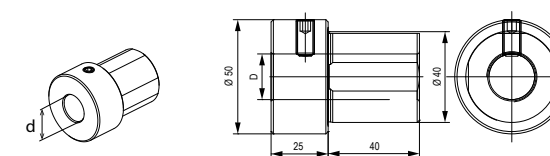
BORING BAR HOLDER REDUCTION SLEEVES

NEW
2021
BMT
QTN2
Bloccaggio con battuta e gambo / Clamping with set-screws and on shaft


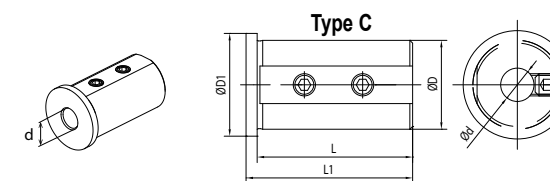
Code	Ød	ØD1	L
*53178010700	8	36	12
*53178010600	10	36	12
*53178010500	12	36	12
*53178010400	16	36	12
*53178010300	20	58	-

Bloccaggio con foro cieco e grani / Clamping with blind hole and set-screws


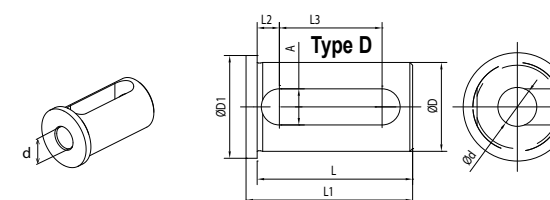
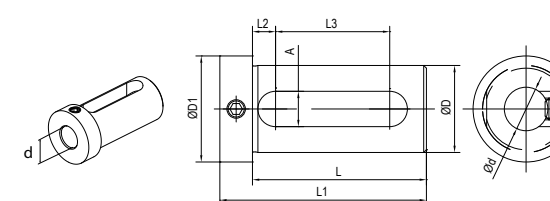
Code	Ød
*53178010200	25
*53178010100	32

Bloccaggio con grano / Clamping with set-screw


Code	Ød
*53208001000	20
*53208001100	25
*53208001200	32

Bloccaggio con grani / Clamping with collar and set-screws


Code	Ød	L	L1	L2	L3	A	Type	ØD1
T.B.C4008K	8	71	75	-	-	-	C	45
T.B.C4010K	10	71	75	-	-	-	C	45
T.B.C4012K	12	71	75	-	-	-	C	45
T.B.D.4016K	16	71	75	8	52	13	D	45
T.B.D.4020K	20	71	75	8	52	13	D	45
T.B.D.4025K	25	71	75	8	52	13	D	45
T.B.D.4032K	32	71	75	8	52	13	D	45

Bloccaggio con asola / Clamping with collar and slot

Bloccaggio con asola e grano / Clamping with slot and set-screw


Code	Ød	L	L1	L2	L3	A	ØD1
T.B.E4016k	16	74	88	9	51	14	48
T.B.E4020k	20	74	88	9	51	14	48
T.B.E4025k	25	74	88	9	51	14	48
T.B.E4032k	32	74	88	9	51	14	48

MODELLI DI TORNIO COMPATIBILI
COMPATIBLE LATHE TYPES

MAZAK

Vedi pagine compatibilità 6.4 / 6.5 - See compatibility pages 6.4 / 6.5

MODELLI DI TORNIO COMPATIBILI
COMPATIBLE LATHE TYPES

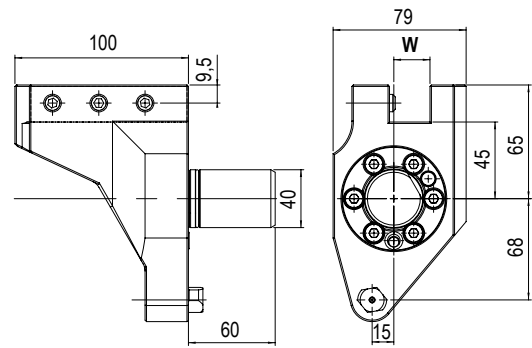
MAZAK

Vedi pagine compatibilità 6.4 / 6.5 - See compatibility pages 6.4 / 6.5

VDI40
QTN1

MODELLI DI TORNIO COMPATIBILI - COMPATIBLE LATHE TYPES
- MAZAK QTN1 VDI 40:

QTN 100/150 M/MS - QTN 200/250 (M/MS/MY/MSY) 16 STATIONS -
SQT 15/18/200/250 (M/MS/MY/MSY) 16 STATIONS - SQT 100 M/MS

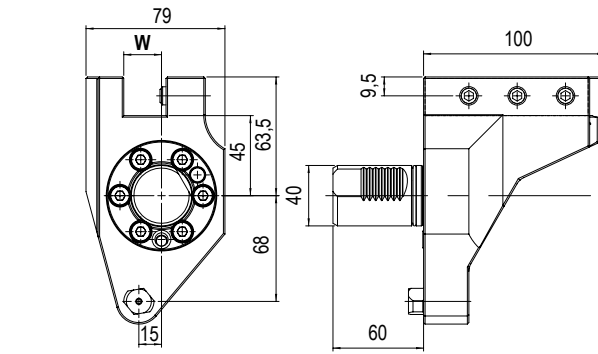


TIPO - TYPE
Arretrato Quadro
Turning Tool Holder



REFRIGERANTE
COOLANT
Esterno
External

Code	W	Orientation
T.53518000701	20	Sinistro - Left

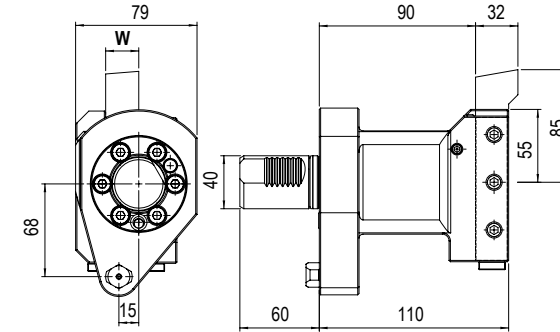


TIPO - TYPE
Arretrato Quadro
Turning Tool Holder



REFRIGERANTE
COOLANT
Esterno
External

Code	W	Orientation
T.53518000101	20	Destro - Right



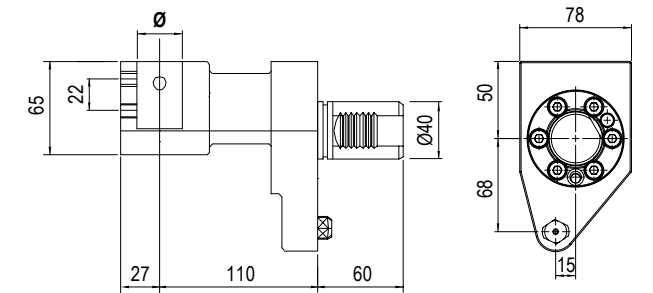
TIPO - TYPE
Portautensile per sfacciare
Facing tool holder



REFRIGERANTE
COOLANT
Esterno
External

Code	W
T.53518000301	20

VDI40
QTN1

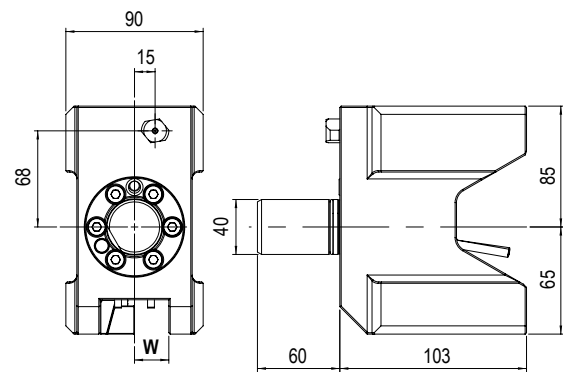


TIPO - TYPE
Portapunte
U'Drill holder



REFRIGERANTE
COOLANT
Esterno & Interno
External & Internal

Code	Ø
T.53518000501	32

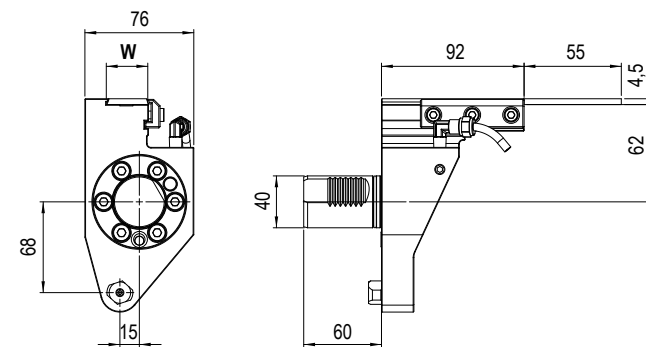


TIPO - TYPE
Doppio quadro
Double turning tool holder



REFRIGERANTE
COOLANT
Esterno
External

Code	W
T.53538000101	20

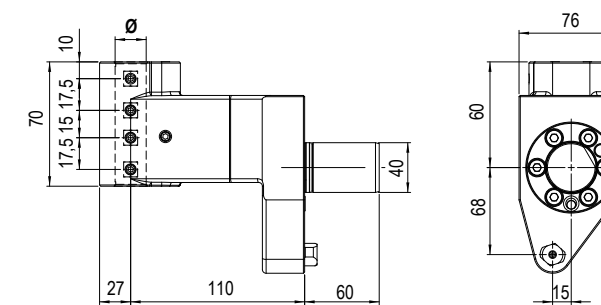


TIPO - TYPE
Portalama
Cut-off holder



REFRIGERANTE
COOLANT
Esterno
External

Code	W
T.53518000401	20

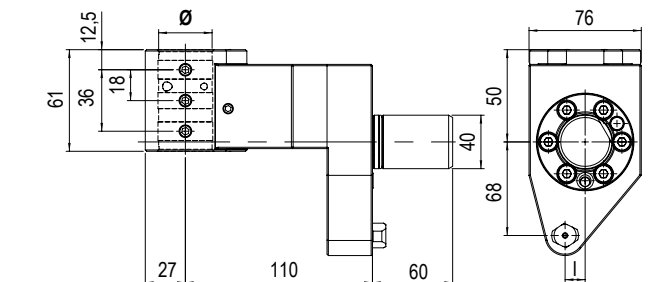


TIPO - TYPE
Portabareno doppio
Double boring bar holder



REFRIGERANTE
COOLANT
Esterno
External

Code	Ø
T.53538000201	20



TIPO - TYPE
Portabareno
Boring bar holder



REFRIGERANTE
COOLANT
Esterno
External

Code	Ø
T.53518000201	32

MODELLI DI TORNIO COMPATIBILI
 COMPATIBLE LATHE TYPES

MAZAK

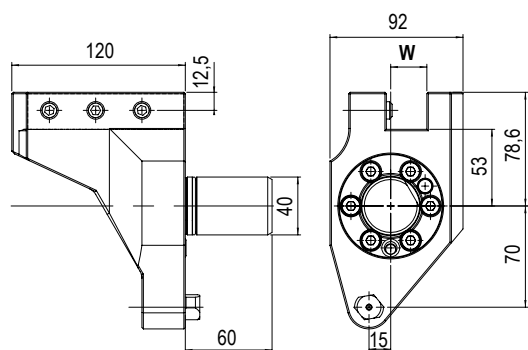
Vedi pagine compatibilità 6.4 / 6.5 - See compatibility pages 6.4 / 6.5

MODELLI DI TORNIO COMPATIBILI
 COMPATIBLE LATHE TYPES

MAZAK

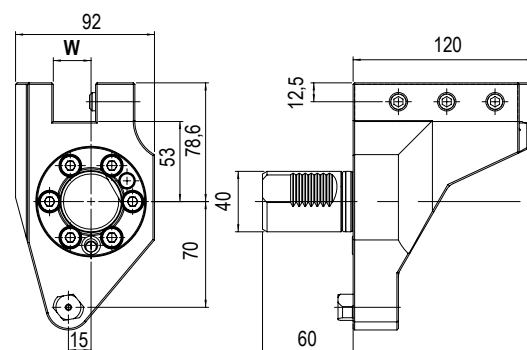
Vedi pagine compatibilità 6.4 / 6.5 - See compatibility pages 6.4 / 6.5

VDI40
QTN2
MODELLI DI TORNIO COMPATIBILI - COMPATIBLE LATHE TYPES
- MAZAK QTN2 VDI 40:

 QTN 200 / 250 (M/MS/MY/MSY 12 STATIONS) - SQT 15/18/200/250
 (M/MS/MY/MSY) 12 STATIONS SUPER QUADREX 200 / 250 (M)

 TIPO - TYPE
Arretrato Quadro
 Turning Tool Holder

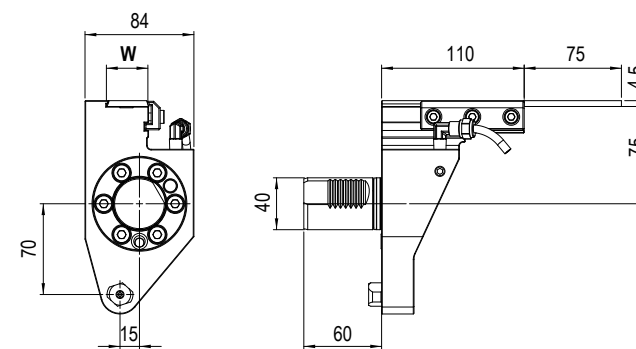
 REFRIGERANTE
 COOLANT
Esterno
 External

Code	W	Orientation
T.53618000600	25	Sinistro - Left


 TIPO - TYPE
Arretrato Quadro
 Turning Tool Holder

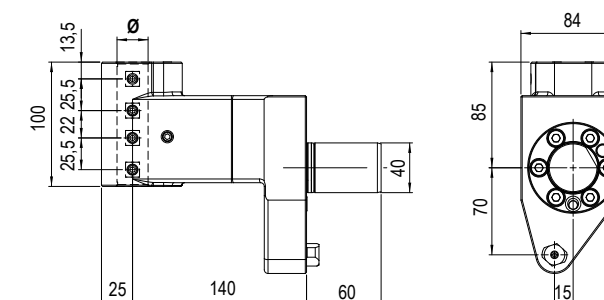
 REFRIGERANTE
 COOLANT
Esterno
 External

Code	W	Orientation
T.53618000100	25	Destro - Right


 TIPO - TYPE
Portalama
 Cut-off holder

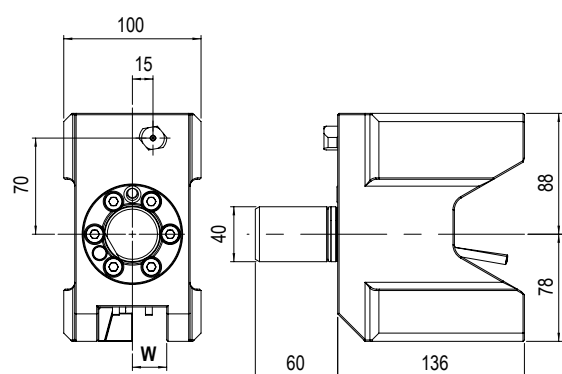
 REFRIGERANTE
 COOLANT
Esterno
 External

Code	W
T.53618000400	25


 TIPO - TYPE
Portabareno doppio
 Double boring bar holder

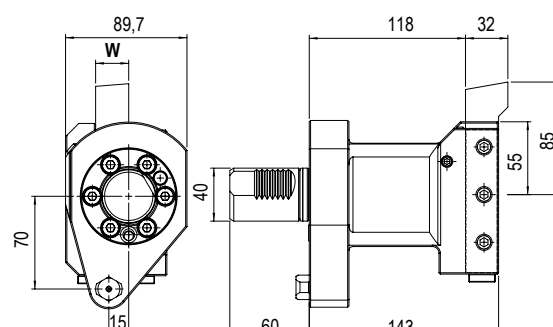
 REFRIGERANTE
 COOLANT
Esterno
 External

Code	Ø
T.53638000400	25


 TIPO - TYPE
Doppio quadro
 Double turning tool holder

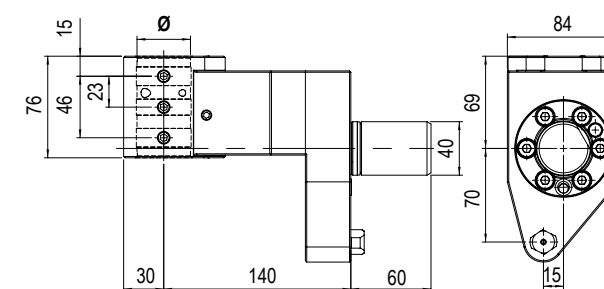
 REFRIGERANTE
 COOLANT
Esterno
 External

Code	W
T.53638000300	25


 TIPO - TYPE
Portautensile per sfacciare
 Facing tool holder

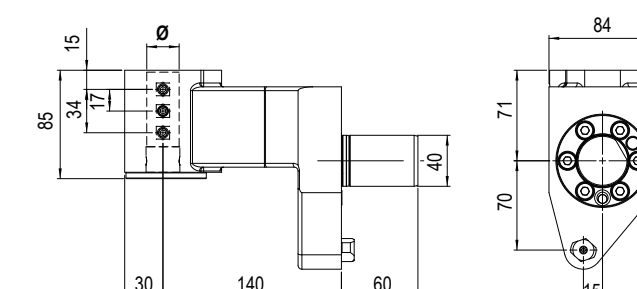
 REFRIGERANTE
 COOLANT
Esterno
 External

Code	W
T.53618000300	25


 TIPO - TYPE
Portabareno
 Boring bar holder

 REFRIGERANTE
 COOLANT
Esterno
 External

Code	Ø
T.53208005100	40


 TIPO - TYPE
Portapunte
 U'Drill holder

 REFRIGERANTE
 COOLANT
Esterno & Interno
 External & Internal

Code	Ø
T.53208005200	40

MODELLI DI TORNIO COMPATIBILI
 COMPATIBLE LATHE TYPES

MAZAK

Vedi pagine compatibilità 6.4 / 6.5 - See compatibility pages 6.4 / 6.5

MODELLI DI TORNIO COMPATIBILI
 COMPATIBLE LATHE TYPES

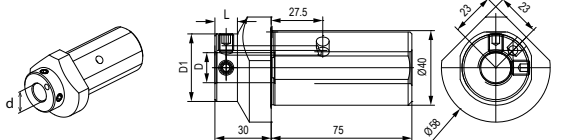
MAZAK

Vedi pagine compatibilità 6.4 / 6.5 - See compatibility pages 6.4 / 6.5

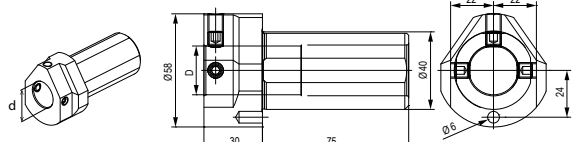
VDI40
QTN2

BUSSOLE DI RIDUZIONE PER PORTABARENI

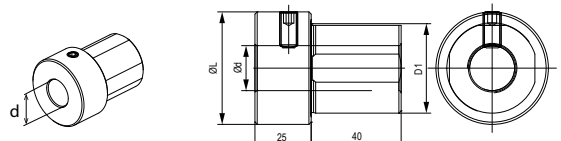
BORING BAR HOLDER REDUCTION SLEEVES

NEW
2021
Bloccaggio con battuta e gambo / Clamping with set-screws and on shaft


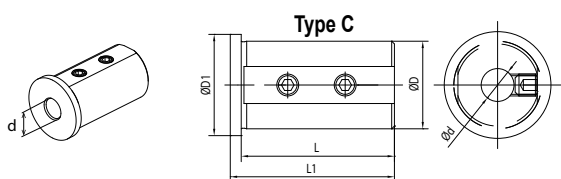
Code	Ød	ØD1	L
*53178010700	8	36	12
*53178010600	10	36	12
*53178010500	12	36	12
*53178010400	16	36	12
*53178010300	20	58	-

Bloccaggio con foro cieco e grani / Clamping with blind hole and set-screws


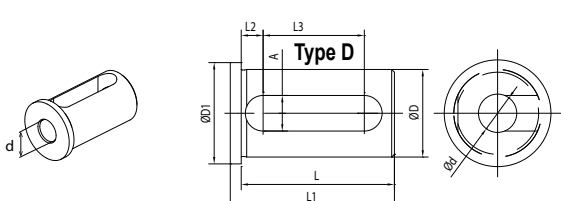
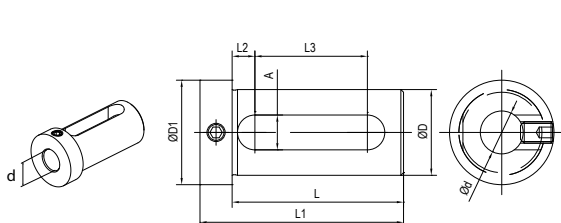
Code	Ød
*53178010200	25
*53178010100	32

Bloccaggio con grano / Clamping with set-screw


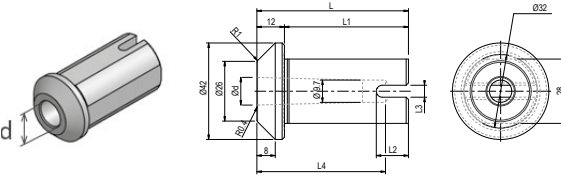
Code	Ød	ØD1	L
*53208001000	20	40	50
*53208001100	25	40	50
*53208001200	32	40	50
T.B.MZ3220K	20	32	40
T.B.MZ3225K	25	32	40

Bloccaggio con grani / Clamping with collar and set-screws


Code	ØD	Ød	L	L1	L2	L3	A	ØD1	Type
T.B.E3216K	25	8	46	50	-	-	-	30	A
T.B.E3220K	25	10	46	50	-	-	-	30	A
T.B.E3225K	25	12	46	50	-	-	-	30	A
T.B.D2516K	25	16	46	50	8	27	13	30	B
T.B.D2520K	25	20	46	50	8	27	13	30	B
T.B.C3208K	32	8	56	60	-	-	-	37	A
T.B.C3210K	32	10	56	60	-	-	-	37	A
T.B.C3212K	32	12	56	60	-	-	-	37	A
T.B.D3216K	32	16	56	60	8	37	13	37	B
T.B.D3220K	32	20	56	60	8	37	13	37	B
T.B.D3225K	32	25	56	60	8	37	13	37	B
T.B.C4008K	40	8	71	75	-	-	-	45	A
T.B.C4010K	40	10	71	75	-	-	-	45	A
T.B.C4012K	40	12	71	75	-	-	-	45	A
T.B.D.4016K	40	16	71	75	8	52	13	45	B
T.B.D.4020K	40	20	71	75	8	52	13	45	B
T.B.D.4025K	40	25	71	75	8	52	13	45	B
T.B.D.4032K	40	32	71	75	8	52	13	45	B

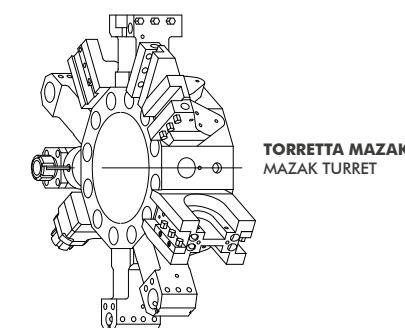
Bloccaggio con asola / Clamping with collar and slot

Bloccaggio con asola e grano / Clamping with slot and set-screw


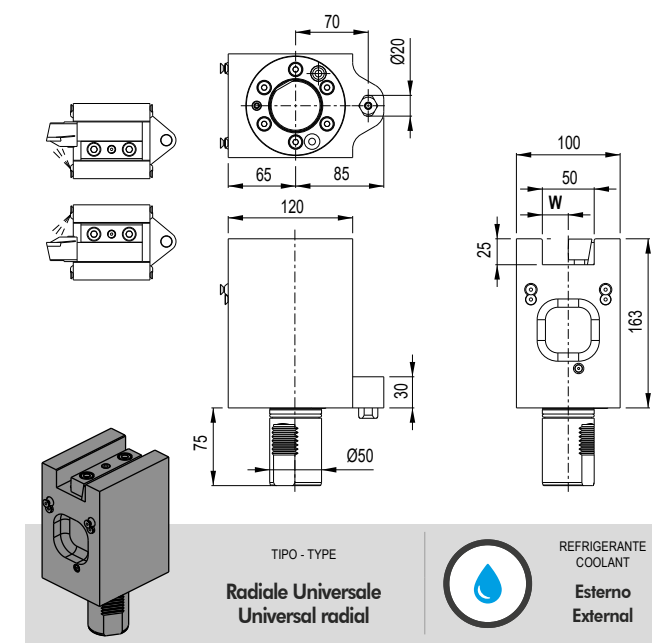
Code	ØD	Ød	L	L1	L2	L3	A	ØD1
T.B.E2512K	25	12	55	67	8	32	13	33
T.B.E2516K	25	16	55	67	8	32	13	33
T.B.E2520K	25	20	55	67	8	32	13	39
T.B.E3216K	32	16	65	77	8	42	13	39
T.B.E3220K	32	20	65	77	8	42	13	39
T.B.E3225K	32	25	65	77	8	42	13	39
T.B.E4016k	40	16	75	89	9	51	14	48
T.B.E4020k	40	20	75	89	9	51	14	48
T.B.E4025k	40	25	75	89	9	51	14	48
T.B.E4032k	40	32	75	89	9	51	14	48

Bloccaggio con asola / Clamping with slot


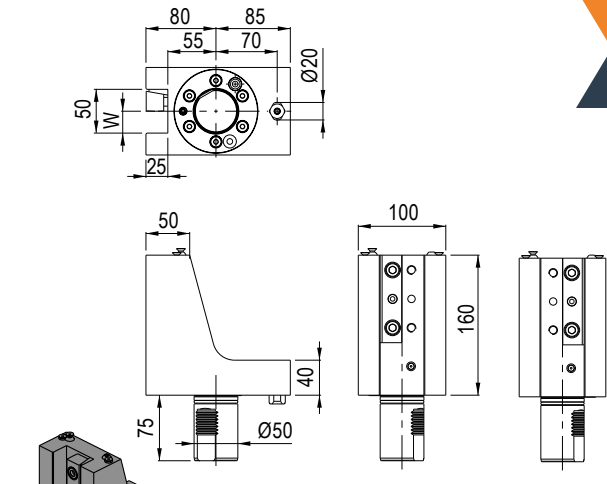
Code	Ød	L	L1	L2	L3	L4	A
T.B.MZ.MT1	12,065	66	54	14	47	56	9,7
T.B.MZ.MT2	17,78	54	58	10	58	67	14,9

ATTACCO / COUPLING


MODELLI DI TORNIO COMPATIBILI - COMPATIBLE LATHE TYPES
- QTN3 VDI 50:

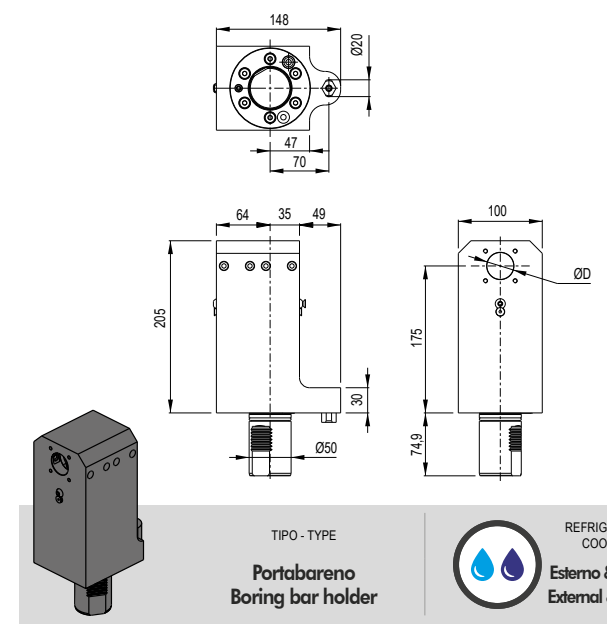
 QTN 300/350/400/450 (M/MY/MSY) - SQT 28/30/300/350/400/450 (M/MY) -
 SLANT TURN NEXUS 500/550 (M) - MEGATURN NEXUS 900 (M) - HYPER QUADREX 450 (M)


Code	W	Orientation
T.MZ.V50C12525M	25	Universale- Universal

VDI50
QTN3

TIPO - TYPE
Stelo quadro assiale
 Axial face and cutting holder

REFRIGERANTE
 COOLANT
Esterno
 External

Code	W	Orientation
T.MZ.V50B12525M	25	Universale- Universal



Code	Ø
T.MZ.V50BBC32175M	32

6
6

MODELLI DI TORNIO COMPATIBILI
 COMPATIBLE LATHE TYPES

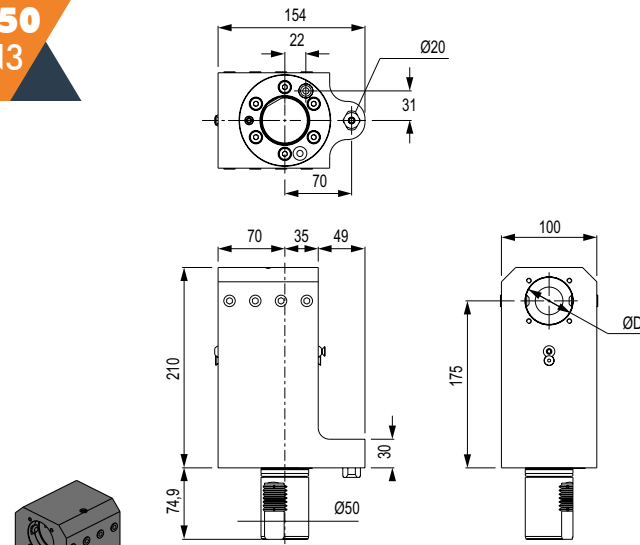
MAZAK

Vedi pagine compatibilità 6.4 / 6.5 - See compatibility pages 6.4 / 6.5

 MODELLI DI TORNIO COMPATIBILI
 COMPATIBLE LATHE TYPES

MAZAK

Vedi pagine compatibilità 6.4 / 6.5 - See compatibility pages 6.4 / 6.5

VDI50
QTN3
NEW
2021
VDI50
QTN3


TIPO - TYPE		REFRIGERANTE COOLANT
Portapunte - U'Drill holder		Esterno External
Code	Ø	
T.5330800501	Ø40mm	

TIPO - TYPE		REFRIGERANTE COOLANT
Portautensile a sfacciare Facing tool holder		Esterno External
Code	W	
T.5368800300	32	

TIPO - TYPE		REFRIGERANTE COOLANT
Portabareno - Boring bar holder		Esterno External
Code	Ø	
T.5330800201	50	

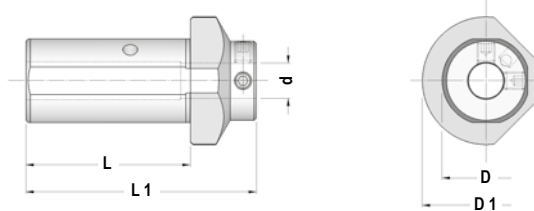
TIPO - TYPE		REFRIGERANTE COOLANT
Doppio Quadro Double turning tool holder		Esterno External
Code	W	
T.5383800801	25	

TIPO - TYPE		REFRIGERANTE COOLANT
Portabareno doppio Double boring bar holder		Esterno External
Code	Ø	
T.5383800901	32	

TIPO - TYPE		REFRIGERANTE COOLANT
Portalama - Cut off holder		Esterno External
Code		
T.5330800401		

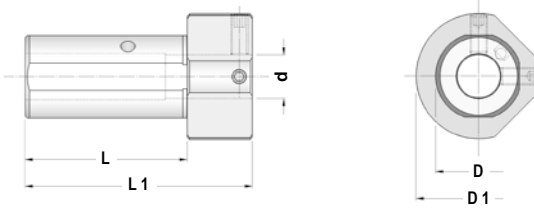
BUSSOLE DI RIDUZIONE PER PORTABARENI BORING BAR HOLDER REDUCTION SLEEVES

Bloccaggio con grani e gambo / Clamping with set-screws and on shaft



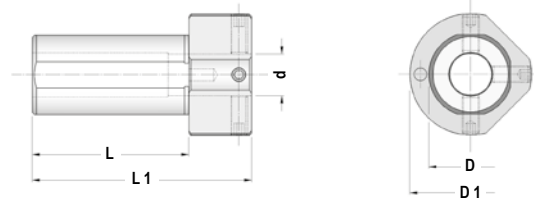
Code	ØD	Ød	L	L1	ØD1
T.53178012601	32	8	60	85	50
T.53178012501	32	10	60	85	50
T.53178012401	32	12	60	85	50
T.53178012301	32	16	60	85	50
T.53178010701	40	8	75	105	58
T.53178010601	40	10	75	105	58
T.53178010501	40	12	75	105	58
T.53178010401	40	16	75	105	58

Bloccaggio con grani e gambo / Clamping with set-screws and on shaft



Code	ØD	Ød	L	L1	ØD1
T.53178010301	40	20	75	105	58

Bloccaggio con grano / Clamping with set-screw



Code	ØD	Ød	L	L1	ØD1
T.53178012300	32	16	60	85	50
T.53178012200	32	22	60	85	50
T.53178012100	32	25	60	85	50
T.53178010200	40	25	75	105	58
T.53178010100	40	32	75	105	58

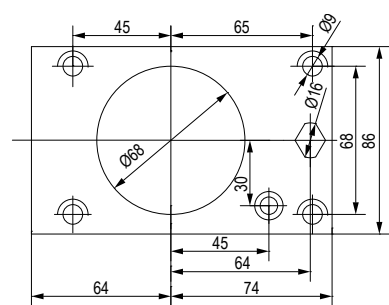
MODELLI DI TORNIO COMPATIBILI
COMPATIBLE LATHE TYPES

MAZAK

Vedi pagine compatibilità 6.4 / 6.5 - See compatibility pages 6.4 / 6.5

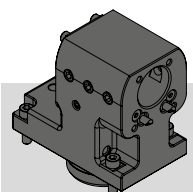
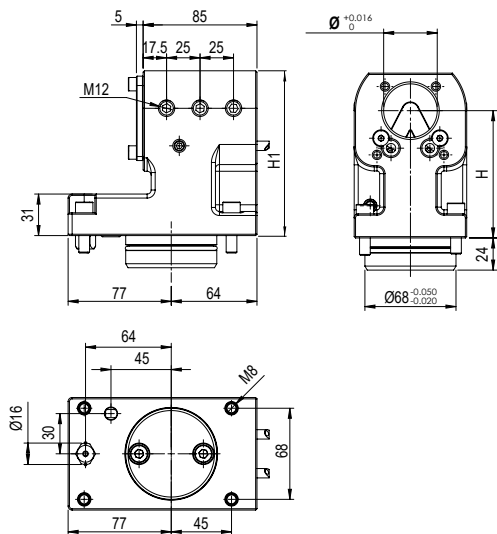
BMT68
SMART

ATTACCO / COUPLING



MODELLI DI TORNIO COMPATIBILI - COMPATIBLE LATHE TYPES

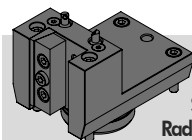
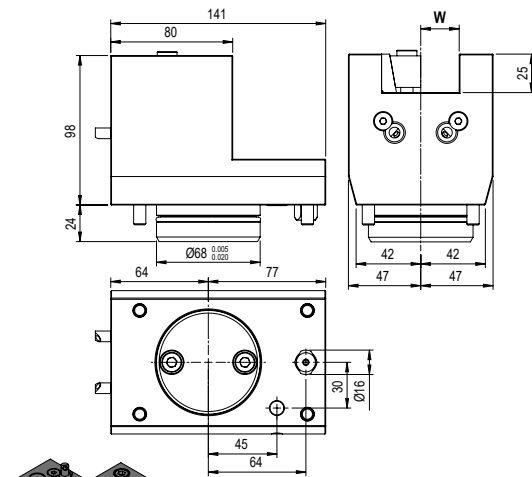
- MAZAK BMT68:
QT/QTS 100/150/200/250 (M/MY/MS/MSY) - QTC/QTU 100/150/200/250/300 (M/MY/MS/MSY)



TIPO - TYPE
Portabareno
Boring bar holder

REFRIGERANTE
COOLANT
Esterno & Interno
External & Internal

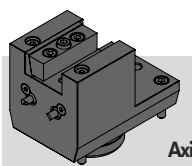
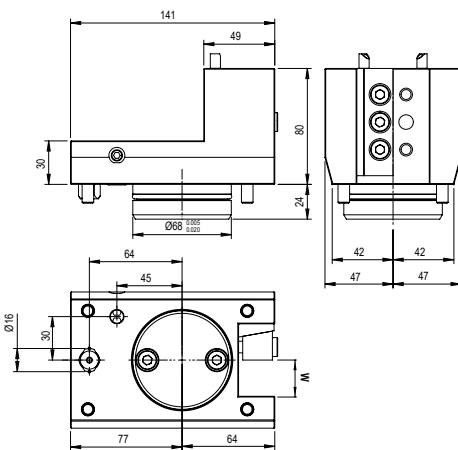
Code	Ø	H	H1
T.MZ.68BBC4095H	40	95	119



TIPO - TYPE
Stelo quadro radiale
Radial face and cutting holder

REFRIGERANTE
COOLANT
Esterno
External

Code	W
T.MZ.68C12525H	25



TIPO - TYPE
Stelo quadro assiale
Axial face and cutting holder

REFRIGERANTE
COOLANT
Esterno
External

Code	W
T.MZ.68B12525H	25

MODELLI DI TORNIO COMPATIBILI
COMPATIBLE LATHE TYPES

MAZAK

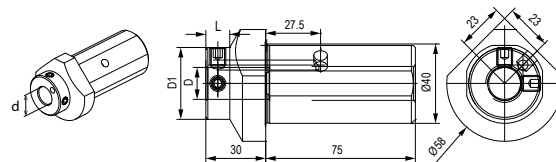
Vedi pagine compatibilità 6.4 / 6.5 - See compatibility pages 6.4 / 6.5

BMT68
SMART

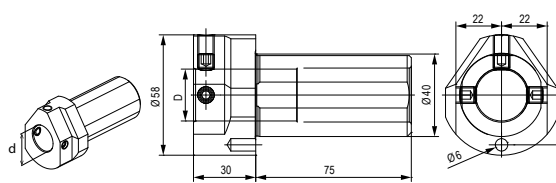
BUSSOLE DI RIDUZIONE PER PORTABARENI
BORING BAR HOLDER REDUCTION SLEEVES

NEW
2021

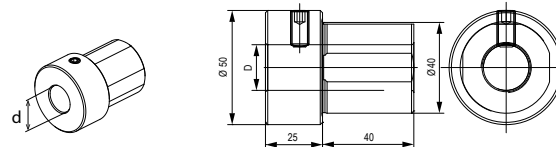
Bloccaggio con grani e gambo / Clamping with set-screws and shaft



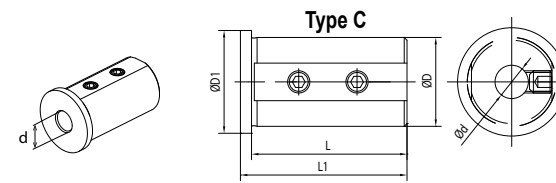
Bloccaggio con foro cieco e grani / Clamping with blind hole and set-screws



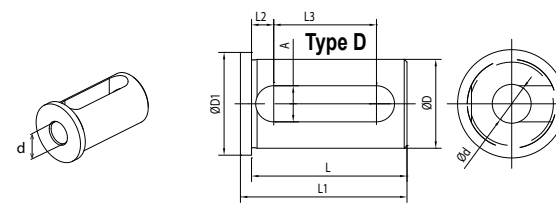
Bloccaggio con grano / Clamping with set-screw



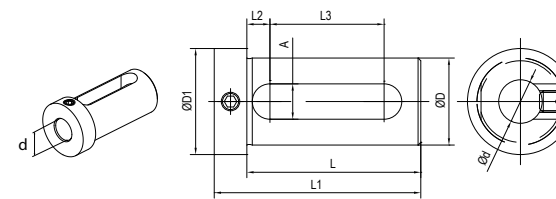
Bloccaggio con grani / Clamping with collar and set-screws



Bloccaggio con asola / Clamping with collar and slot



Bloccaggio con asola e grano / Clamping with slot and set-screw



Code	Ød	ØD1	L
*53178010700	8	36	12
*53178010600	10	36	12
*53178010500	12	36	12
*53178010400	16	36	12
*53178010300	20	58	-

Code	Ød
*53178010200	25
*53178010100	32

Code	Ød
*53208001000	20
*53208001100	25
*53208001200	32

Code	Ød	L	L1	L2	L3	A	Type	ØD1
T.B.C4008K	8	71	75	-	-	-	C	45
T.B.C4010K	10	71	75	-	-	-	C	45
T.B.C4012K	12	71	75	-	-	-	C	45
T.B.D.4016K	16	71	75	8	52	13	D	45
T.B.D.4020K	20	71	75	8	52	13	D	45
T.B.D.4025K	25	71	75	8	52	13	D	45
T.B.D.4032K	32	71	75	8	52	13	D	45

Code	Ød	L	I1	I2	I3	A	ØD1
T.B.E4016k	16	74	88	9	51	14	48
T.B.E4020k	20	74	88	9	51	14	48
T.B.E4025k	25	74	88	9	51	14	48
T.B.E4032k	32	74	88	9	51	14	48



PIÙ SEMPLICE / PIÙ INFO / PIÙ PRODOTTI - EASIER / MORE INFO / MORE PRODUCTS

TROVA IL TUO PRODOTTO IN POCHI CLICK - FIND YOUR PRODUCT IN FEW CLICKS



by category



by code



by description



by configurator

Un nuovo modo facile e veloce per ordinare la tua attrezzatura Gerardi

Il nuovo Gerardi estore offre la possibilità di visualizzare e ordinare qualsiasi articolo Gerardi appartenente alle categorie Workholding o Tooling presente sui nostri listini in modo semplice, veloce e completo. Da ora puoi ordinare la morsa, la testa angolare o il motorizzato che ti interessa direttamente on-line dal nostro estore senza costi aggiuntivi.

A new quick and easy way to order your equipment branded Gerardi.

The new Gerardi estore offers the ability to view and order any item available on our Workholding and Tooling catalogues with the easiest, fastest and comprehensive way. You can now order the vise, angle head or driven tool of your interest directly online from our store without any additional cost.



WINDOWS / IOS



ANDROID / IPHONE



BMT 44 - BMT 55 - BMT 65

NEW 2021

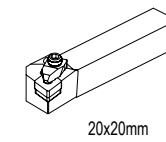


BMT44



Code

T.NK.B44C12020K



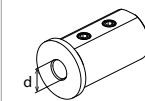
20x20mm

BMT44 Ø25

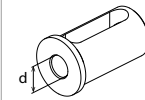


Code

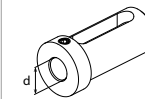
T.NK.B44BB2575K



Ød	Code
Ø8	T.B.C2508K
Ø10	T.B.C2510K
Ø12	T.B.C2512K



Ød	Code
Ø16	T.B.D2516K



Ød	Code
Ø12	T.B.E2512K
Ø16	T.B.E2516K
Ø20	T.B.E2520K

BMT55



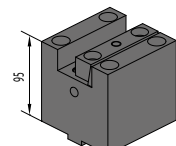
Code

T.NK.B55C12020K



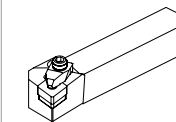
Code

T.NK.B55C12020LK



Code

T.NK.B65B12525K



20x20mm
25x25mm

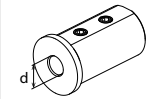
BMT55 Ø25-32



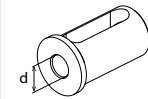
Code

T.NK.B55BBC2555K

T.NK.B55BBC2575K



Ød	Code	Ød	Code
Ø8	T.B.C2508G	Ø8	T.B.C3208K
Ø10	T.B.C2510G	Ø10	T.B.C3210K
Ø12	T.B.C2512G	Ø12	T.B.C3212K

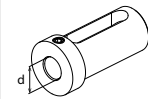


Ød	Code
Ø16	T.B.D2516K

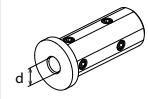


Code

T.NK.B55BBD25K



Ød	Code	Ød	Code
Ø12	T.B.E2512K	Ø16	T.B.E3216K
Ø16	T.B.E2516K	Ø20	T.B.E3220K
Ø20	T.B.E2520K	Ø25	T.B.E3225K



Ød	Code
Ø6	T.B.A2506G



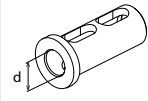
Ød	Code
Ø8	T.B.A2508G
Ø10	T.B.A2510G
Ø12	T.B.A2512G



Code

T.NK.B55BBC3270K

T.NK.B55BBC3280K



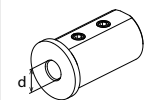
Ød	Code
Ø16	T.B.B2516G

BMT65 Ø32

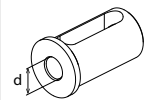


Code

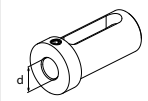
T.NK.B65BBC3290K



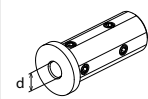
Ød	Code
Ø8	T.B.C3208K
Ø10	T.B.C3210K
Ø12	T.B.C3212K



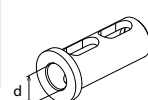
Ød	Code
Ø16	T.B.D3216K
Ø20	T.B.D3220K
Ø25	T.B.D3225K



Ød	Code
Ø16	T.B.E3216K
Ø20	T.B.E3220K
Ø25	T.B.E3225K



Ød	Code
Ø8	T.B.A3208G
Ø10	T.B.A3210G
Ø12	T.B.A3212G
Ø16	T.B.A3216G
Ø20	T.B.A3220G



Ød	Code
Ø25	T.B.B3225G

MODELLI DI TORNIO COMPATIBILI
COMPATIBLE LATHE TYPES

NAKAMURA

Vedi pagine compatibilità 6.4 / 6.5 - See compatibility pages 6.4 / 6.5

MODELLI DI TORNIO COMPATIBILI
COMPATIBLE LATHE TYPES

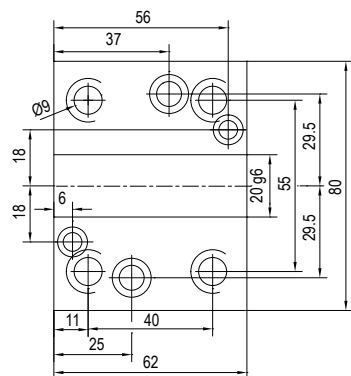
NAKAMURA

CMZ

Vedi pagine compatibilità 6.4 / 6.5 - See compatibility pages 6.4 / 6.5

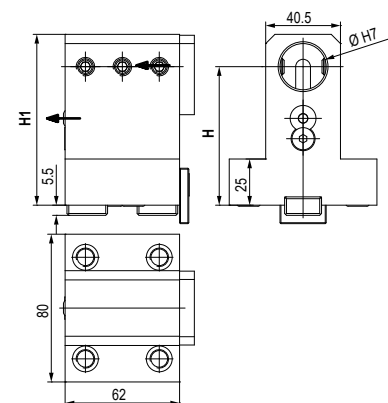
BMT
44

ATTACCO / COUPLING



MODELLI DI TORNIO COMPATIBILI - COMPATIBLE LATHE TYPES

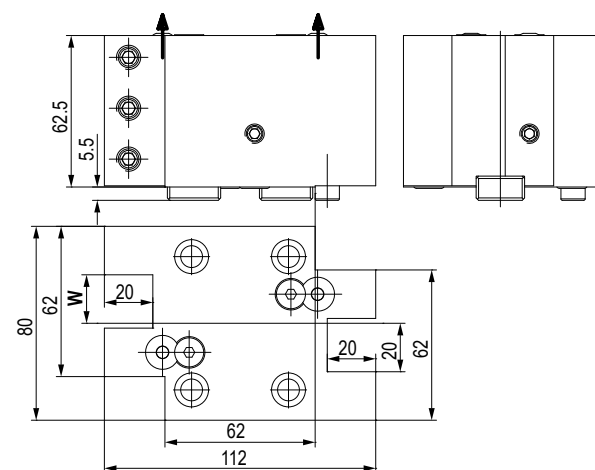
NAKAMURA:
NTJ 100, - SC 100 - SUPER NTMX - SUPER NY3 - WT/ WY100
MURATEC:
MT 100



TIPO - TYPE
Portabareno
Boring bar holder

REFRIGERANTE
COOLANT
Esterno & Interno
External & Internal

Code	Ø	H	H1
T.NK.B44BB2575K	25	75 ± 0,02	92,5



TIPO - TYPE
Stelo quadro rad. doppio
2 RD face and cutting holder

REFRIGERANTE
COOLANT
Esterno
External

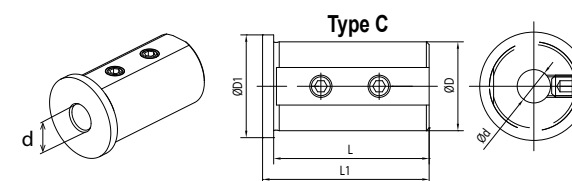
Code	W
T.NK.B44C12020K	20

BUSSOLE DI RIDUZIONE PER PORTABARENI BORING BAR HOLDER REDUCTION SLEEVES

NEW
2021

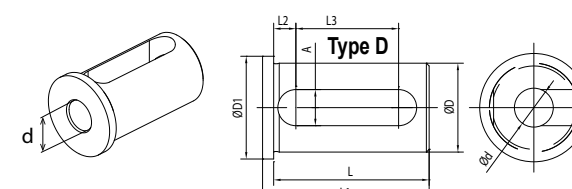
BMT
44

Bloccaggio con grani / Clamping with set-screws

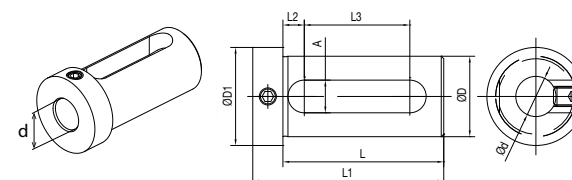


Code	Ød	L	L1	L2	L3	A	Type	ØD1
T.B.C2508K	8	46	50	-	-	-	C	30
T.B.C2510K	10	46	50	-	-	-	C	30
T.B.C2512K	12	46	50	-	-	-	C	30
T.B.D2516K	16	46	50	8	27	13	D	30

Bloccaggio con asola / Clamping with slot



Bloccaggio con asola e grano / Clamping with slot and set-screw



Code	Ød	L	L1	L2	L3	A	ØD1
T.B.E2512K	16	74	88	9	51	14	48
T.B.E2516K	20	74	88	9	51	14	48
T.B.E2520K	25	74	88	9	51	14	48

MODELLI DI TORNIO COMPATIBILI
COMPATIBLE LATHE TYPES

NAKAMURA

CMZ

Vedi pagine compatibilità 6.4 / 6.5 - See compatibility pages 6.4 / 6.5

MODELLI DI TORNIO COMPATIBILI
COMPATIBLE LATHE TYPES

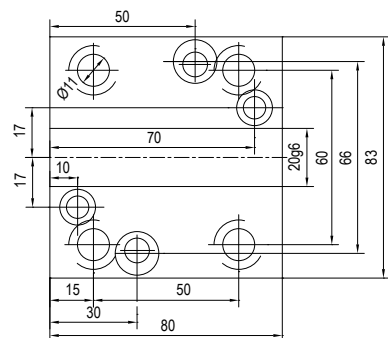
NAKAMURA

CMZ

Vedi pagine compatibilità 6.4 / 6.5 - See compatibility pages 6.4 / 6.5

BMT
55

ATTACCO / COUPLING



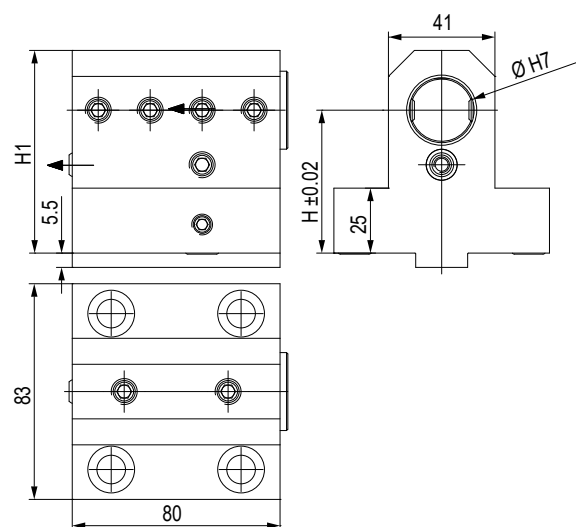
MODELLI DI TORNIO COMPATIBILI - COMPATIBLE LATHE TYPES

NAKAMURA BMT55:

AS200 (L-LS) 12/15 STATIONS - NTM3 - NTY3/250 - SC150(M) - SC200(MY) - SC-250(M) SuperNTJ
TMC20 II (M/ML) - TW10 - TW20 - WT20 II (M/MY) - WT150/200 - WT250 - WTS150 - WTW150/160 -
WT200 II (M,MY) - WY250

CMZ BMT55:

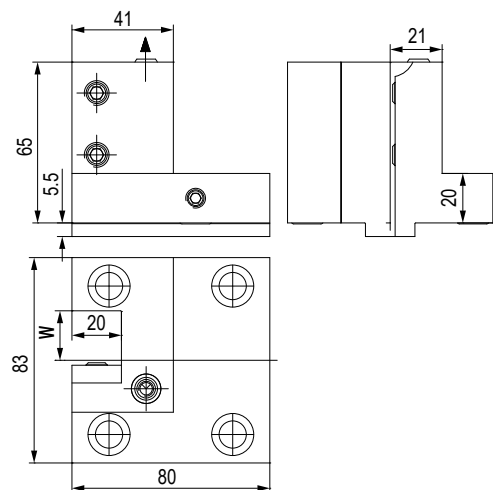
TX 52, 66



TIPO - TYPE
Portabareno
Boring bar holder

REFRIGERANTE
COOLANT
Esterno & Interno
External & Internal

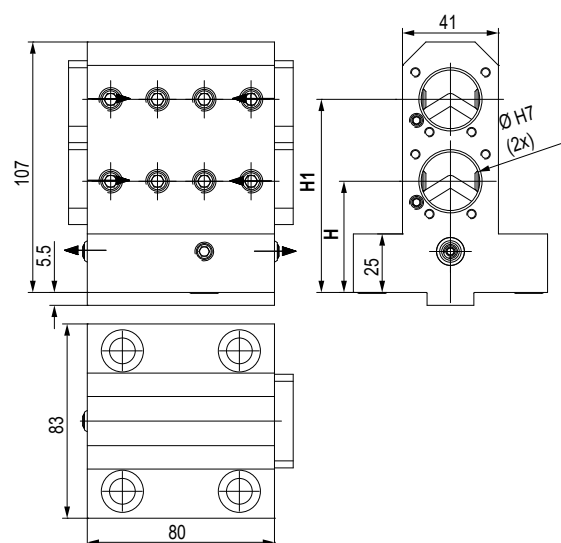
Code	Ø	H	H1
T.NK.B55BBC2555K	25	55	78
T.NK.B55BBC2575K	25	75	98



TIPO - TYPE
Stelo quadro radiale
Radial face and cutting holder

REFRIGERANTE
COOLANT
Esterno
External

Code	W
T.NK.B55C12020K	20

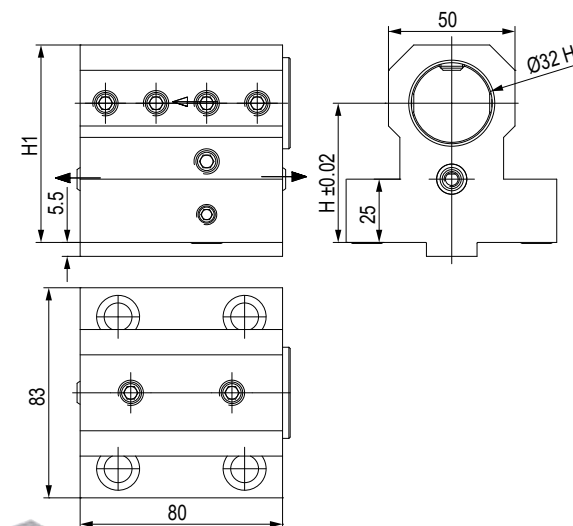


TIPO - TYPE
Portabareno doppio
Double boring bar holder

REFRIGERANTE
COOLANT
Esterno
External

Code	Ø	H	H1
T.NK.B55BBD25K	25	47,5	82

BMT
55



TIPO - TYPE
Portabareno
Boring bar holder

REFRIGERANTE
COOLANT
Esterno & Interno
External & Internal

Code	Ø	H	H1
T.NK.B55BBC3270K	32	70	96,5
T.NK.B55BBC3280K	32	80	106,5

MODELLI DI TORNIO COMPATIBILI
 COMPATIBLE LATHE TYPES

NAKAMURA

CMZ

Vedi pagine compatibilità 6.4 / 6.5 - See compatibility pages 6.4 / 6.5

 MODELLI DI TORNIO COMPATIBILI
 COMPATIBLE LATHE TYPES

NAKAMURA

CMZ

Vedi pagine compatibilità 6.4 / 6.5 - See compatibility pages 6.4 / 6.5

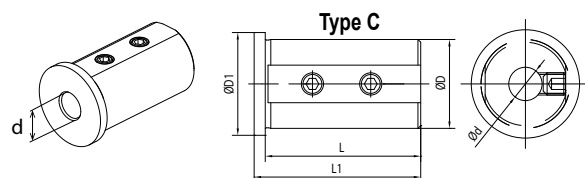
BMT 55

BUSSOLE DI RIDUZIONE PER PORTABARENI

BORING BAR HOLDER REDUCTION SLEEVES

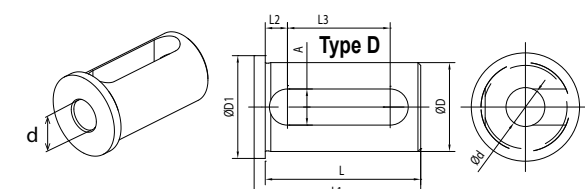
NEW 2021

Bloccaggio con grani / Clamping with set-screws

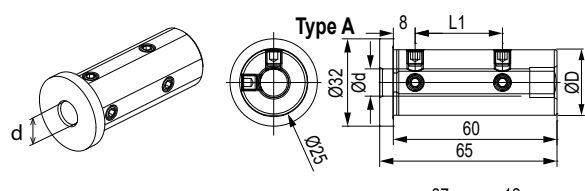


Code	ØD	Ød	L	L1	L2	L3	A	Type	ØD1
T.B.C2508K	25	8	46	50	-	-	-	C	30
T.B.C2510K	25	10	46	50	-	-	-	C	30
T.B.C2512K	25	12	46	50	-	-	-	C	30
T.B.D2516K	25	16	46	50	8	27	13	D	30
T.B.C3208K	32	8	56	60	-	-	-	C	37
T.B.C3210K	32	10	56	60	-	-	-	C	37
T.B.C3212K	32	12	56	60	-	-	-	C	37
T.B.D3216K	32	16	56	60	8	37	13	D	37
T.B.D3220K	32	20	56	60	8	37	13	D	37
T.B.D3225K	32	25	56	60	8	37	13	D	37

Bloccaggio con asola / Clamping with slot

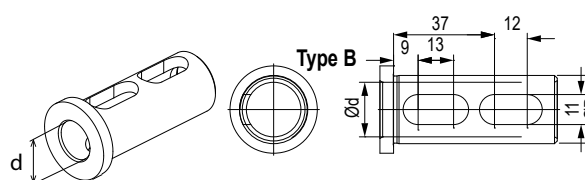


Bloccaggio con grani su due lati / Clamping with set-screws on two sides

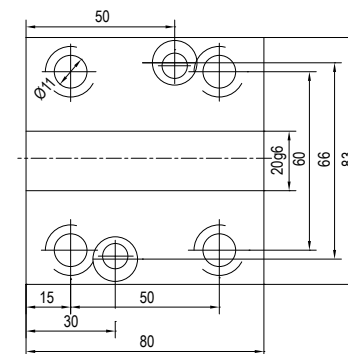


Code	ØD	Ød	L1	Type
T.B.A2506G	25	6	22	A
T.B.A2508G	25	8	27	A
T.B.A2510G	25	10	32	A
T.B.A2512G	25	12	32	A
T.B.B2516G	25	16	-	B

Bloccaggio con doppia asola / Clamping with double slot



ATTACCO / COUPLING

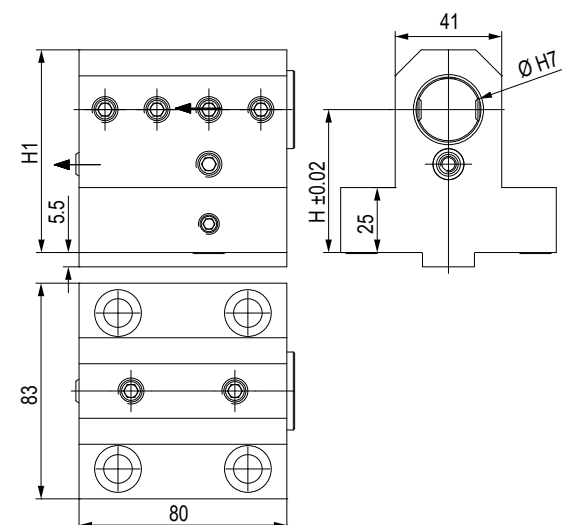


MODELLI DI TORNIO COMPATIBILI - COMPATIBLE LATHE TYPES

- NAKAMURA BMT55:

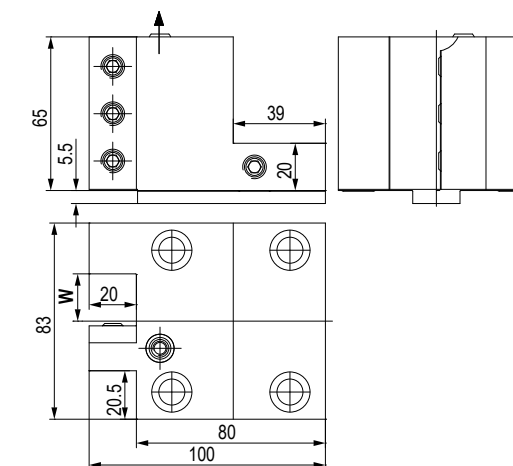
 WT300 - SC300 - TW20 - TMC200/300 (M) - SUPER NTX TW20M (MY/MM/MMY/MMYY)
 12 STATIONS TW30M (MY/MM/MMY/MMYY) 16 STATIONS

- CMZ BMT55:

 TX52/66 - TTL52 - TTL66 - TX52 Y3-Y2 QUATTRO-Y2 TW IN - TX66 Y3-Y2 QUATTRO-Y2 TW IN
 TA15/20/25/30(M/Y/MS/MY/YS) 15 STATIONS

 TIPO - TYPE
Portabareno
 Boring bar holder

 REFRIGERANTE
 COOLANT
 Esterno & Interno
 External & Internal

Code	Ø	H	H1
T.NK.B55BBC2555K	25	55	78
T.NK.B55BBC2575K	25	75	98

BMT 55

 TIPO - TYPE
Stelo quadro radiale
 Radial face and cutting holder

 REFRIGERANTE
 COOLANT
 Esterno
 External

Code	W
T.NK.B55C12020LK	20

6

6

MODELLI DI TORNIO COMPATIBILI
COMPATIBLE LATHE TYPES

NAKAMURA

Vedi pagine compatibilità 6.4 / 6.5 - See compatibility pages 6.4 / 6.5

MODELLI DI TORNIO COMPATIBILI
COMPATIBLE LATHE TYPES

NAKAMURA

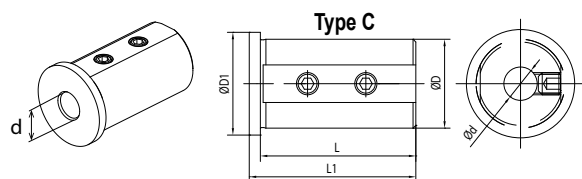
Vedi pagine compatibilità 6.4 / 6.5 - See compatibility pages 6.4 / 6.5

BMT
55

BUSOLE DI RIDUZIONE PER PORTABARENI BORING BAR HOLDER REDUCTION SLEEVES

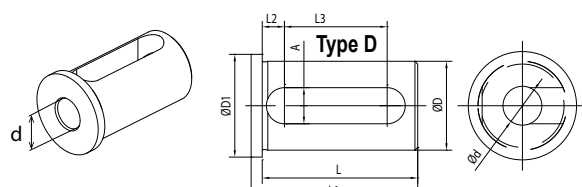
NEW
2021

Bloccaggio con grani / Clamping with set-screws

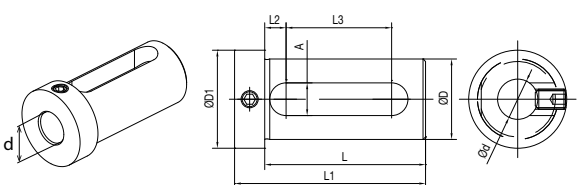


Code	ØD	Ød	L	L1	L2	L3	A	Type	ØD1
T.B.C2508K	25	8	46	50	-	-	-	C	30
T.B.C2510K	25	10	46	50	-	-	-	C	30
T.B.C2512K	25	12	46	50	-	-	-	C	30
T.B.D2516K	25	16	46	50	8	27	13	D	30

Bloccaggio con asola / Clamping with slot

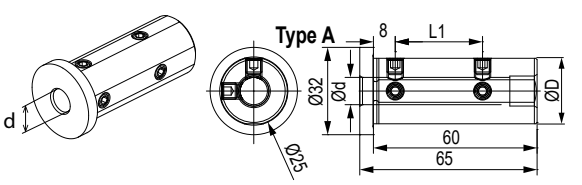


Bloccaggio con asola e grano / Clamping with slot and set-screw



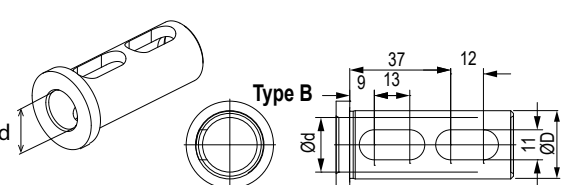
Code	ØD	Ød	L	L1	L2	L3	A	ØD1
T.B.E2512K	25	12	54	66	8,5	32	13	32
T.B.E2516K	25	16	54	66	8,5	32	13	32
T.B.E2520K	25	20	54	66	8,5	32	13	32

Bloccaggio con grani su due lati / Clamping with set-screws on two sides

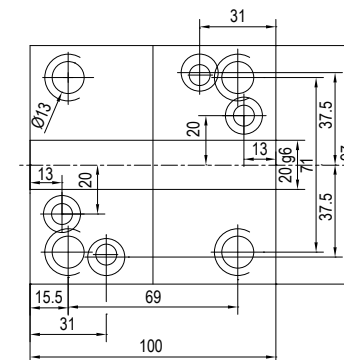


Code	ØD	Ød	L1	Type
T.B.A2506G	25	6	22	A
T.B.A2508G	25	8	27	A
T.B.A2510G	25	10	32	A
T.B.A2512G	25	12	32	A
T.B.B2516G	25	16	-	B

Bloccaggio con doppia asola / Clamping with double slot



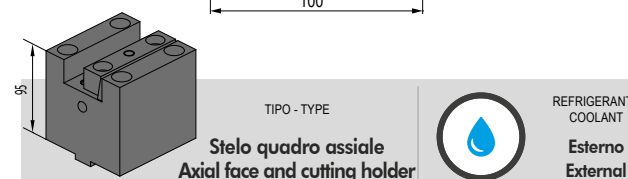
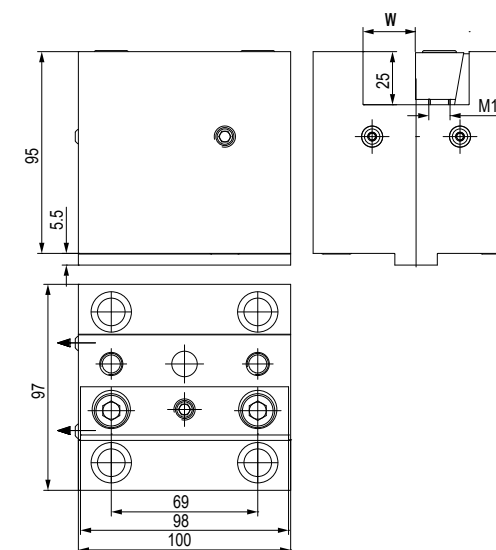
ATTACCO / COUPLING



MODELLI DI TORNIO COMPATIBILI - COMPATIBLE LATHE TYPES

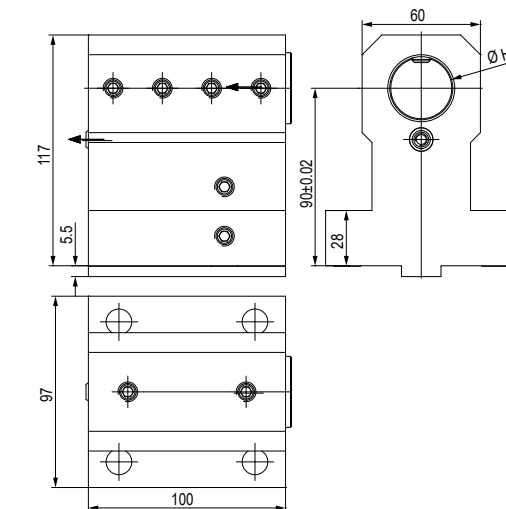
- NAKAMURA BMT65:

WT300 - SC300 - TW20 - TMC200/300 (M) - SUPER NTX TW20M (MY/MM/MMY/MMYY)
12 STATIONS TW30M (MY/MM/MMY/MMYY) 16 STATIONS



Code	W
T.NK.B65B12525K	25

BMT
65



TIPO - TYPE
Portabareno
Boring bar holder

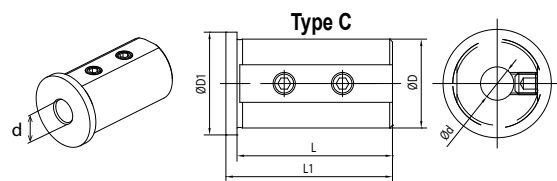
REFRIGERANTE
COOLANT
Esterno & Interno
External & Internal

Code	Ø	H	H1
T.NK.B65BBC3290K	32	90 ±0,02	117

BUSSOLE DI RIDUZIONE PER PORTABARENI
BORING BAR HOLDER REDUCTION SLEEVES

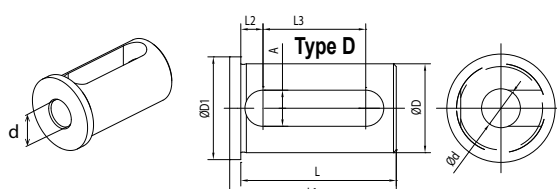
NEW
2021

Bloccaggio con grani / Clamping with set-screws

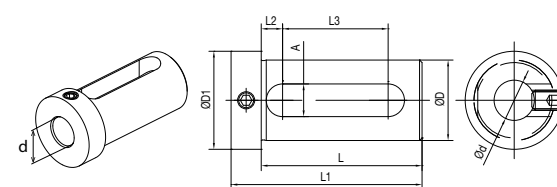


Code	ØD	Ød	L	L1	L2	L3	A	Type	ØD1
T.B.C3208K	32	8	56	60	-	-	-	C	37
T.B.C3210K	32	10	56	60	-	-	-	C	37
T.B.C3212K	32	12	56	60	-	-	-	C	37
T.B.D3216K	32	16	56	60	8	37	13	D	37
T.B.D3220K	32	20	56	60	8	37	13	D	37
T.B.D3225K	32	25	56	60	8	37	13	D	37

Bloccaggio con asola / Clamping with slot

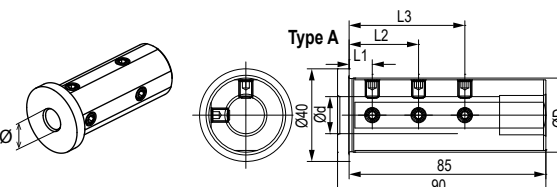


Bloccaggio con asola e grano / Clamping with slot and set-screw



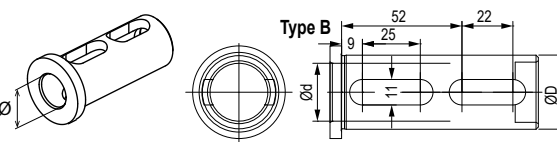
Code	ØD	Ød	L	L1	L2	L3	A	ØD1
T.B.E3216K	32	16	64	76	8,5	42	13	39
T.B.E3220K	32	20	64	76	8,5	42	13	39
T.B.E3225K	32	25	64	76	8,5	42	13	39

Bloccaggio con grani su due lati / Clamping with set-screws on two sides



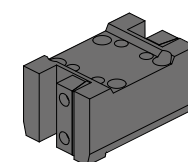
Code	ØD	Ød	L1	L2	L3	Type
T.B.A3208G	32	8	8	35	-	A
T.B.A3210G	32	10	8	40	-	A
T.B.A3212G	32	12	8	40	-	A
T.B.A3216G	32	16	10	30	50	A
T.B.A3220G	32	20	10	30	50	A
T.B.B3225G	32	25	-	-	-	B

Bloccaggio con doppia asola / Clamping with double slot



NEW
2021

BMT60



Code

T.OK.B60C1D2525K



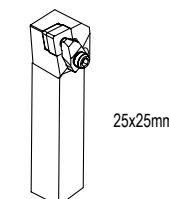
Code

T.OK.B60C12525K



Code

T.OK.B60B12525K



BMT60 Ø40



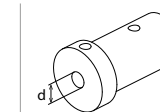
Code

T.OK.B60BB4090K

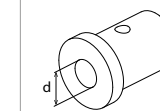


Code

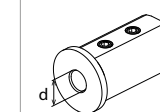
T.OK.B60BBC4090K



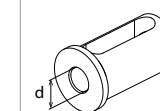
Ød	Code	Ød	Code
Ø10	T.B.I4010G	Ø16	T.B.I4016G
Ø12	T.B.I4012G	Ø20	T.B.I4020G



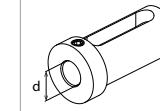
Ød	Code	Ød	Code
Ø25	T.B.OK24025K		
Ø32	T.B.OK24032K		



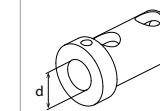
Ød	Code
Ø8	T.B.C4008K
Ø10	T.B.C4010K
Ø12	T.B.C4012K



Ød	Code
Ø16	T.B.D.4016K
Ø20	T.B.D.4020K
Ø25	T.B.D.4025K
Ø32	T.B.D.4032K



Ød	Code
Ø16	T.B.E4016k
Ø20	T.B.E4020k
Ø25	T.B.E4025k
Ø32	T.B.E4032k

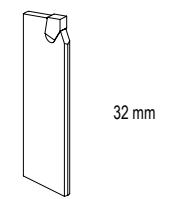


Ød	Code
Ø25	T.B.OK14025G
Ø32	T.B.OK14032G



Code

T.OK.B60H13200K



MODELLI DI TORNIO COMPATIBILI
 COMPATIBLE LATHE TYPES

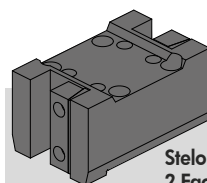
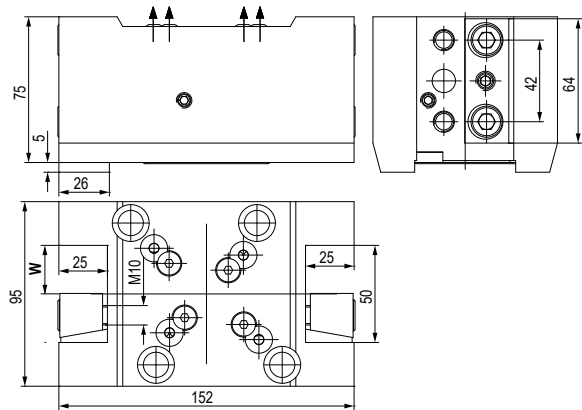
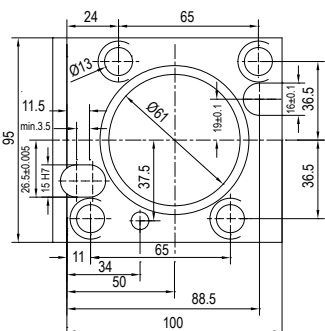
OKUMA

Vedi pagine compatibilità 6.4 / 6.5 - See compatibility pages 6.4 / 6.5

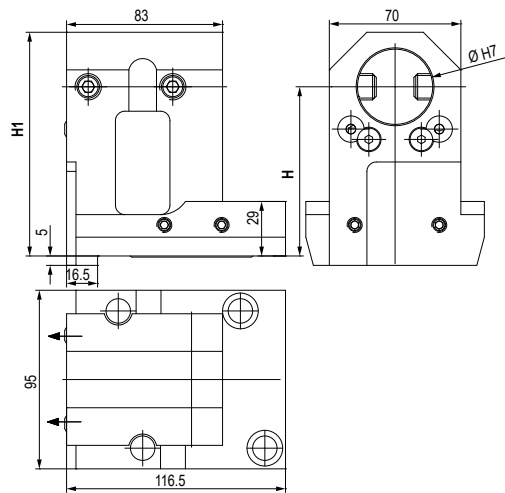
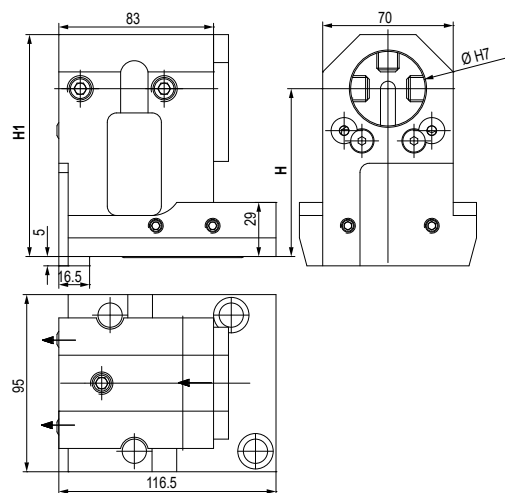
 MODELLI DI TORNIO COMPATIBILI
 COMPATIBLE LATHE TYPES

OKUMA

Vedi pagine compatibilità 6.4 / 6.5 - See compatibility pages 6.4 / 6.5

BMT60 PLUS
ATTACCO / COUPLING

 TIPO - TYPE
Stelo quadro radiale doppio
2 Face and ID cutting holder


Code	W
T.OK.B60C1D2525K	25


 TIPO - TYPE
Portabareno
Boring bar holder

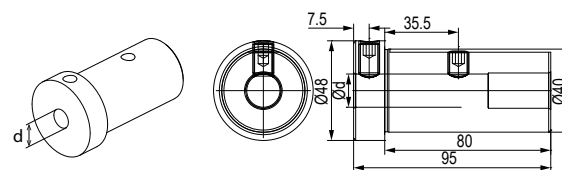

Code	Ø	H	H1
T.OK.B60BBC4090K	40	90 ±0,02	119


 TIPO - TYPE
Portabareno
Boring bar cutting holder

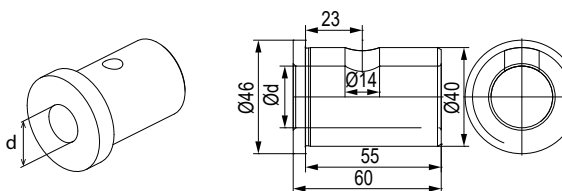

Code	Ø	H	H1
T.OK.B60BB4090K	40	90 ±0,02	119

BUSSOLE DI RIDUZIONE PER PORTABARENI
BORING BAR HOLDER REDUCTION SLEEVES
NEW 2021
BMT60 PLUS

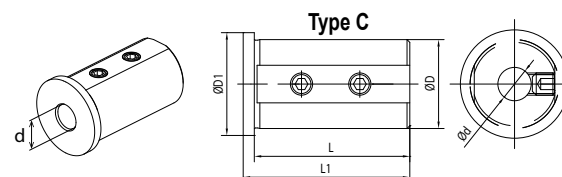
Bloccaggio con grano \ Clamping with set-screw



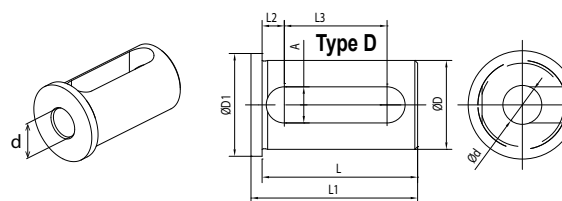
Bloccaggio con grano \ Clamping with set-screw



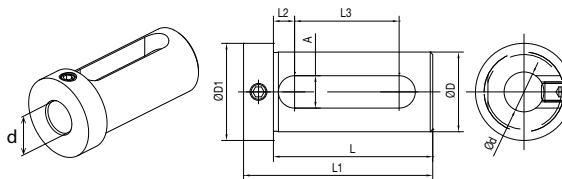
Bloccaggio con grani \ Clamping with set-screws



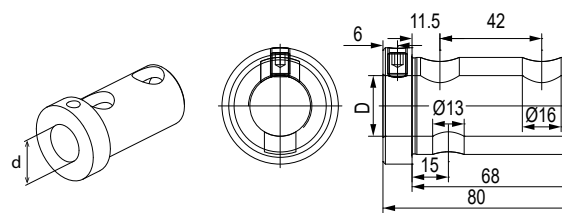
Bloccaggio con asola / Clamping with slot



Bloccaggio con asola e grano \ Clamping with set-screw and slot



Bloccaggio con grani \ Clamping with set-screws



Code	Ød
T.B.I4010G	10
T.B.I4012G	12
T.B.I4016G	16
T.B.I4020G	20

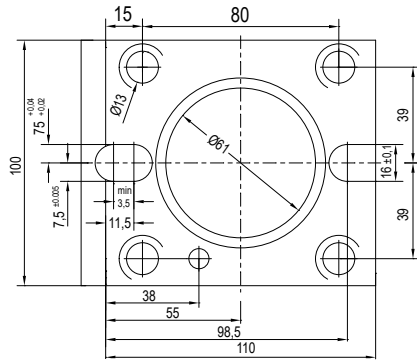
Code	Ød
T.B.OK24035K	25
T.B.OK24032K	32

Code	ØD	Ød	L	L1	L2	L3	A	ØD1	Type
T.B.C4008K	40	8	71	75	-	-	-	45	C
T.B.C4010K	40	10	71	75	-	-	-	45	C
T.B.C4012K	40	12	71	75	-	-	-	45	C
T.B.D.4016K	40	16	71	75	8	52	13	45	D
T.B.D.4020K	50	20	71	75	8	52	13	45	D
T.B.D.4025K	50	25	71	75	8	52	13	45	D
T.B.D.4032K	50	32	71	75	8	52	13	45	D

Code	Ød	L	L1	L2	L3	A	ØD1
T.B.E4016k	16	74	88	9	51	14	48
T.B.E4020k	20	74	88	9	51	14	48
T.B.E4025k	25	74	88	9	51	14	48
T.B.E4032k	32	74	88	9	51	14	48

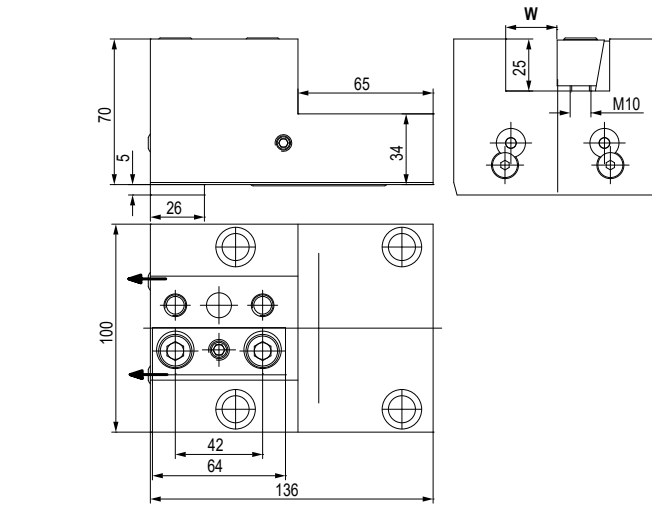
Code	ØD
T.B.OK14025G	25
T.B.OK14032G	32

ATTACCO / COUPLING



MODELLI DI TORNIO COMPATIBILI - COMPATIBLE LATHE TYPES

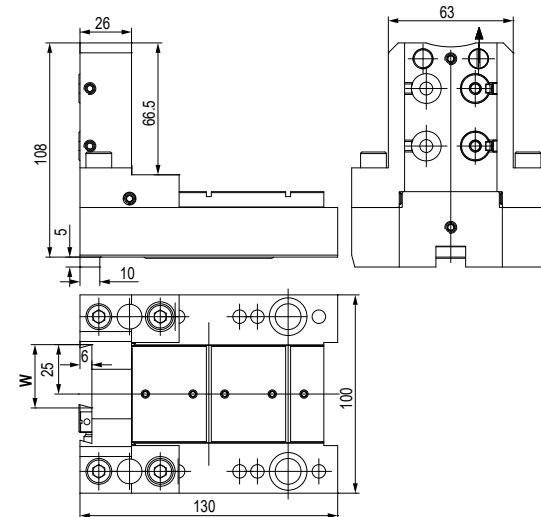
- OKUMA BMT60:
LB4000 EX (M, MY) - LU4000



TIPO - TYPE: Stelo quadro assiale / Axial face and cutting holder

REFRIGERANTE COOLANT: Esterno / External

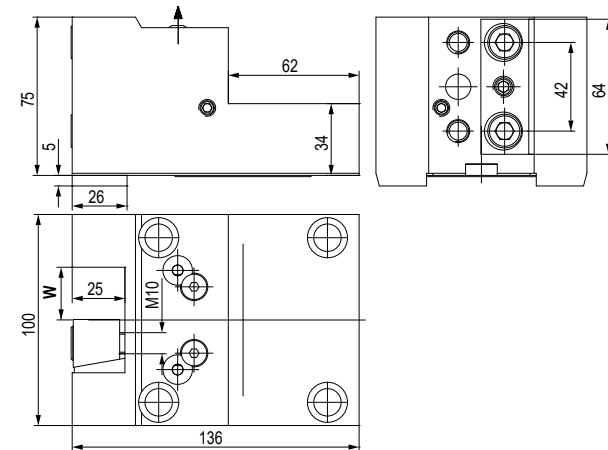
Code	W
T.OK.B60B12525K	25



TIPO - TYPE: Porta Lama / Cut of holder

REFRIGERANTE COOLANT: Esterno / External

Code	W
T.OK.B60H13200K	32



TIPO - TYPE: Stelo quadro radiale / Radial face and cutting holder

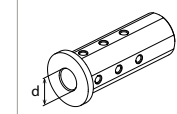
REFRIGERANTE COOLANT: Esterno / External

Code	W
T.OK.B60C12525K	25

BMT60 Ø40



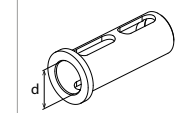
Code
T.TS.A10



Ød	Code
Ø6	T.B.A4006G
Ø8	T.B.A4008G
Ø10	T.B.A4010G
Ø12	T.B.A4012G
Ø16	T.B.A4016G
Ø20	T.B.A4020G
Ø25	T.B.A4025G



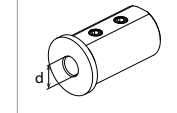
Code
T.TS.A12



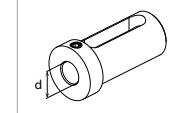
Ød	Code
Ø32	T.B.B4032G



Code
T.TS.A14



Ød	Code
Ø8	T.B.C4008K
Ø10	T.B.C4010K
Ø12	T.B.C4012K
Ø16	T.B.D4016K



Ød	Code
Ø16	T.B.E4016k
Ø20	T.B.E4020k
Ø25	T.B.E4025k
Ø32	T.B.E4032k

MODELLI DI TORNIO COMPATIBILI
LATHE MODEL COMPATIBLES

TSUGAMI

Vedi pagine compatibilità 6.4 / 6.5 - See compatibility pages 6.4 / 6.5

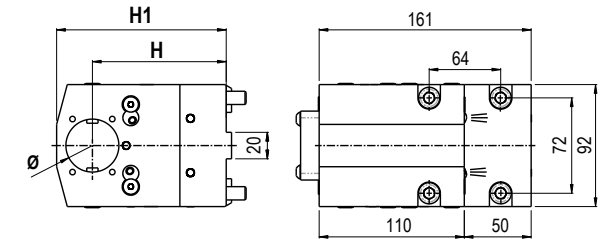
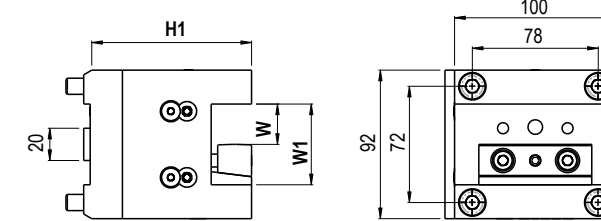
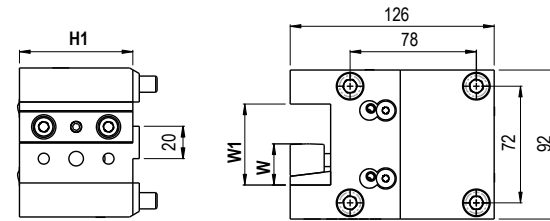
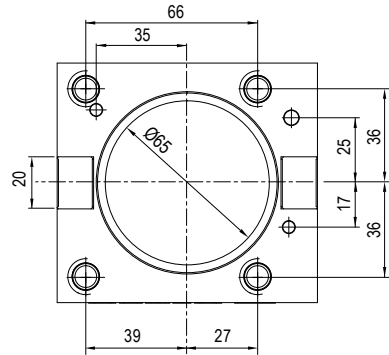
MODELLI DI TORNIO COMPATIBILI
LATHE MODEL COMPATIBLES

TSUGAMI

Vedi pagine compatibilità 6.4 / 6.5 - See compatibility pages 6.4 / 6.5

BMT
65

ATTACCO / COUPLING



MODELLI DI TORNIO COMPATIBILI - COMPATIBLE LATHE TYPES

- **BMT65:**
M06 - M06(SY) - M08(D/SD) - M08(SY)

Stelo quadro radiale
Radial face and cutting holder

TIPO - TYPE: Stelo quadro radiale
REFRIGERANTE COOLANT: Esterno External

Code	H1	W	W1
T.TS.A01	70	25	50
T.TS.A02	70	1"	2"

Stelo quadro assiale
Axial face and cutting holder

TIPO - TYPE: Stelo quadro assiale
REFRIGERANTE COOLANT: Esterno External

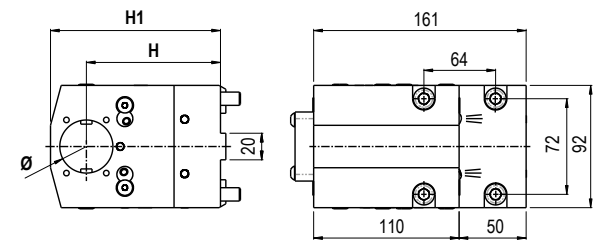
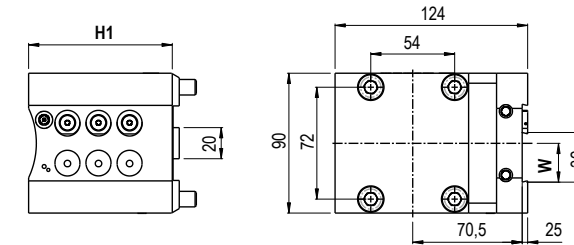
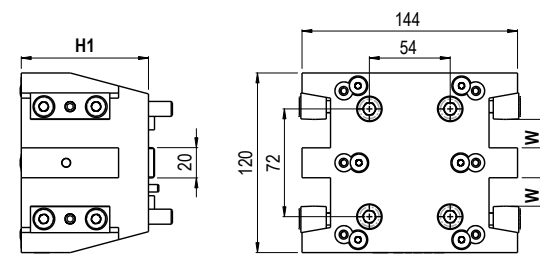
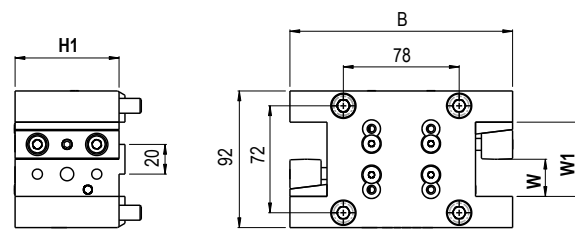
Code	H1	W	W1
T.TS.A07	100	25	50
T.TS.A08	100	1"	2"

Portabareno
Boring bar holder

TIPO - TYPE: Portabareno
REFRIGERANTE COOLANT: Esterno & Interno External & Internal

Code	Ø	H	H1
T.TS.A10	Ø40	85	128
T.TS.A11	Ø1,5"	85	128

6



Stelo quadro rad. doppio
2 RD face and cutting holder

TIPO - TYPE: Stelo quadro rad. doppio
REFRIGERANTE COOLANT: Esterno External

Code	B	H1	W	W1
T.TS.A03	150	70	25	50
T.TS.A04	150	70	1"	2"

Stelo quadro rad. quadruplo
4 RD face and cutting holder

TIPO - TYPE: Stelo quadro rad. quadruplo
REFRIGERANTE COOLANT: Esterno External

Code	H1	W
T.TS.A05	85	20
T.TS.A06	85	0,75"

Porta Lama
Cut off holder

TIPO - TYPE: Porta Lama
REFRIGERANTE COOLANT: Esterno External

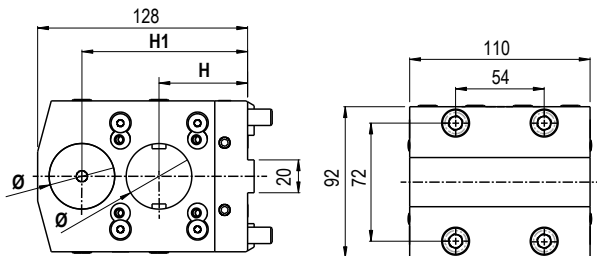
Code	H1	W
T.TS.A09	93	25

Porta Bareno Disassato
Axial Offset Boring Bar

TIPO - TYPE: Porta Bareno Disassato
REFRIGERANTE COOLANT: Esterno & Interno External & Internal

Code	Ø	H	H1
T.TS.A12	Ø40	101	128
T.TS.A13	Ø1,5"	101	128

6

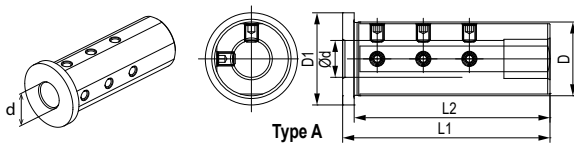

 TIPO - TYPE
Porta Barena Doppio
Boring Bar Holder

 REFRIGERANTE
 COOLANT
Esterno & Interno
External & Internal

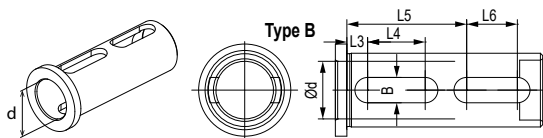
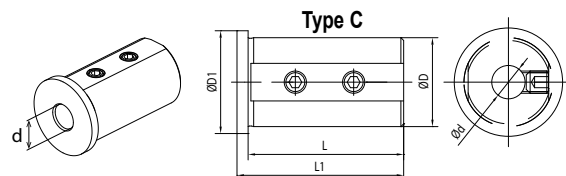
Code	Ø	H	H1	
T.TS.A14	Ø40	54	101	
T.TS.A15	Ø1,5"	54	101	

BUSSOLE DI RIDUZIONE PER PORTABARENI

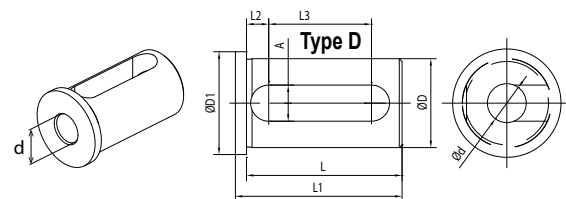
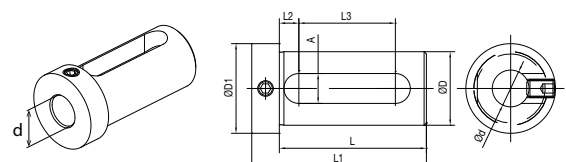
BORING BAR HOLDER REDUCTION SLEEVES

NEW
2021
Bloccaggio con grani / Clamping with set-screws


Code	ØD	Ød	ØD1	L1	L2	L3	L4	L5	L6	B	Type	
T.B.A4006G	40	6	50	110	105	-	-	-	-	-	A	
T.B.A4008G	40	8	50	110	105	-	-	-	-	-	A	
T.B.A4010G	40	10	50	110	105	-	-	-	-	-	A	
T.B.A4012G	40	12	50	110	105	-	-	-	-	-	A	
T.B.A4016G	40	16	50	110	105	-	-	-	-	-	A	
T.B.A4020G	40	20	50	110	105	-	-	-	-	-	A	
T.B.A4025G	40	25	50	110	105	-	-	-	-	-	A	
T.B.B4032G	40	32	50	110	105	10	35	65	28	13	B	

Bloccaggio con doppia asola / Clamping with double slot

Bloccaggio con grani \ Clamping with set-screws


Code	ØD	Ød	L	L1	L2	L3	A	ØD1	Type	
T.B.C4008K	40	8	71	75	-	-	-	45	C	
T.B.C4010K	40	10	71	75	-	-	-	45	C	
T.B.C4012K	40	12	71	75	-	-	-	45	C	
T.B.D4016K	40	16	71	75	8	52	13	45	D	

Bloccaggio con asola / Clamping with slot

Bloccaggio con asola e grano \ Clamping with set-screw


Code	ØD	Ød	L	L1	L2	L3	A	ØD1	
T.B.E4016k	40	16	74	88	9	51	14	48	
T.B.E4020k	40	20	74	88	9	51	14	48	
T.B.E4025k	40	25	74	88	9	51	14	48	
T.B.E4032k	40	32	74	88	9	51	14	48	